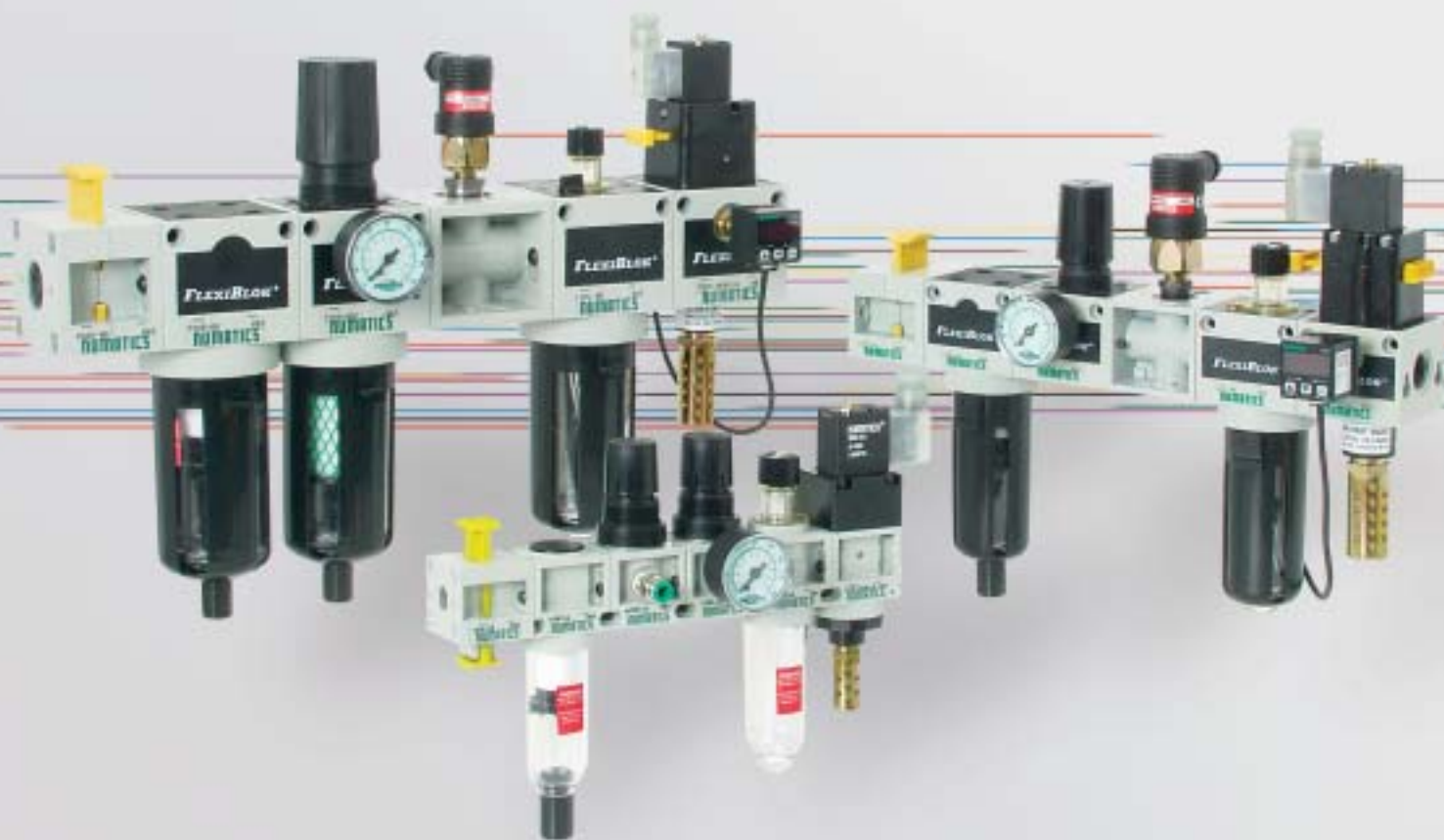


numatics®

Air Prep



FlexiBlok® FRL Series

We're everywhere you need us to be!

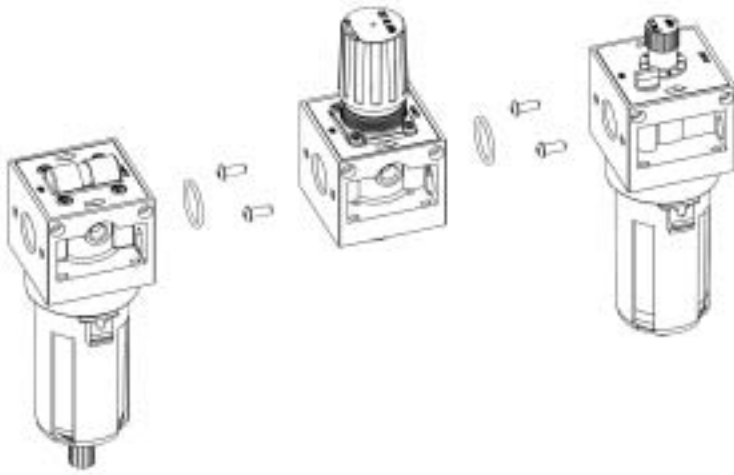


FLEXIBLOK® FRL Series

Features and Benefits	3-35
StockBlok and ModuBlok Combinations	3
Particulate Filters	4-9
Coalescing Filters	10-11
Regulators	12-13
Particulate Filter/Regulator	14-19
Coalescing Filter/Regulator	20-21
Lubricators	22-23
Solenoid Soft Start Quick Exhaust Valve	24-25
Quick Exhaust Valves	26-27
Shut Off Valve	28-31
Diverter Block	32
Diverter Paltes	32
Rear-Ported End Plates	33
Drain Options	33
Replacement and Repair Kits	34
	35

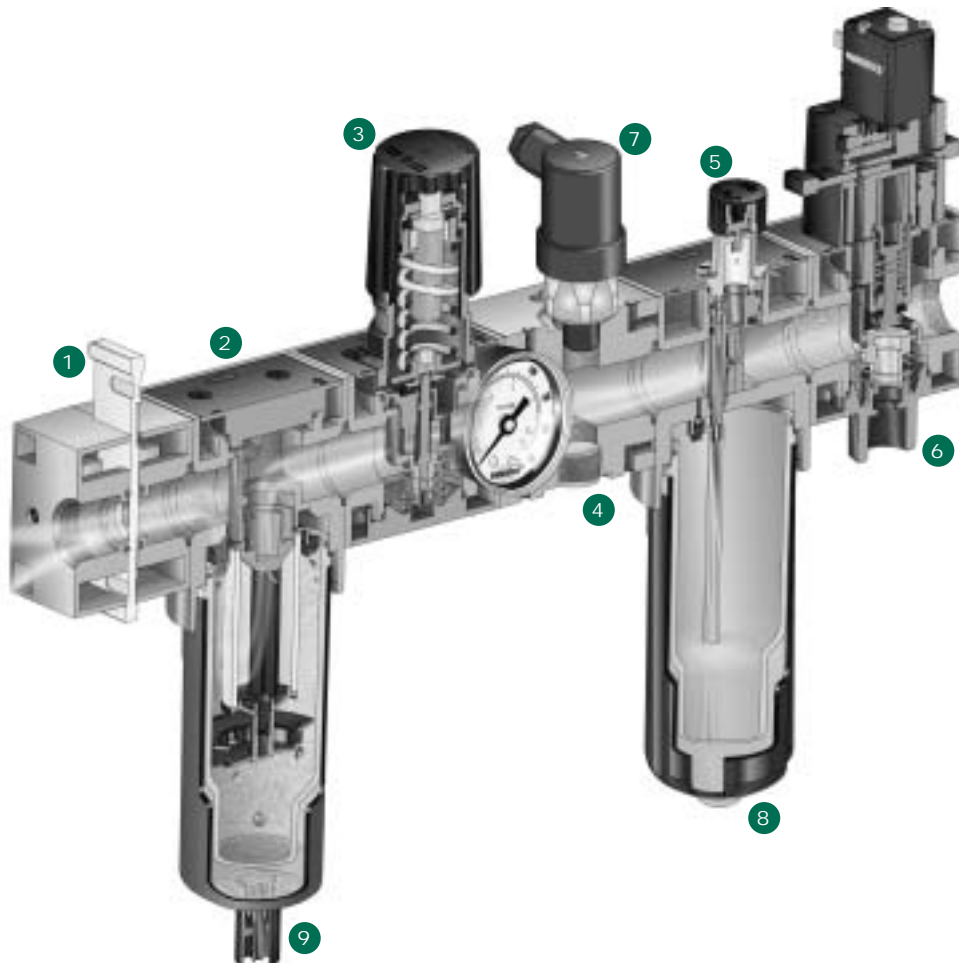


Numatics *FLEXIBLOK*® FRL Series



The Numatics *FLEXIBLOK*® FRL line leads the industry in ease of assembly. While many competitors rely on special brackets, mounting kits, port connectors, and component connectors for assembly - which are not only costly but are awkward and difficult to use - *FLEXIBLOK*® components use only a single o-ring and two screws to connect together. Integrated mounting holes eliminate the need for mounting brackets. The need for end plates is eliminated, as the in/out ports of all components are tapped so that any unit can be used as a stand alone unit.

By eliminating the need for additional special components, the Numatics *FLEXIBLOK*® line keeps costs down and maintenance and assembly quick and easy.



1. Shutoff Valve
• Relieving/Non-Relieving

2. Filter
• 5 Micron particulate
• Three Coalescing Grades
• Adsorbing Grade

3. Regulator
• Multiple Pressure Ranges
• Relieving/Non-Relieving

4. Diverter Block
• Provides Versatility

5. Lubricator
• Siphon Tube Design Provides
Accurate Oil Metering

**6. Solenoid Soft Start Quick
Exhaust Valve**
• Solenoid Quick Exhaust and Air
Pilot Versions

7. Pressure Switch
• Field Installable Connector or 12 mm
Micro Styles

8. Bowls
• Polycarbonate, metal, CircleVision

9. Drains
• 6 Styles



Numatics *FLEXIBLOK*® FRL Series

STOCKBLOK®

FRLs in standard combinations



STOCKBLOK® assemblies utilize one model number for standard configurations, complete with gauges. Each component is factory assembled and tested.

Each of the standard *STOCKBLOK*® combinations is a complete assembly. Bowl, drain, and fill options are available where applicable. Additional options are not available and, if required, components can be ordered as a *MODUBLOK*™ combination (see page 9).

To order any of the *STOCKBLOK*® models without the Shut-Off Valve, replace the "V" in the part number with an "X" (i.e. M22-03XFCXX).

See individual component pages for specifications and dimensions.

Shut Off/Particulate Filter/Regulator/Lubricator w/ Gauge



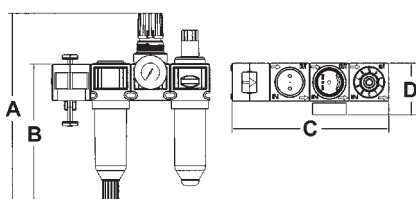
Components

MODEL #	SHUT OFF	PARTICULATE			WEIGHT	
		FILTER	REGULATOR	LUBRICATOR	LBS.	KGS
M14-01VFRLX	VS14-01	F14B-01	R14R-01G	L14L-01	2.55	1.17
M14-02VFRLX	VS14-02	F14B-02	R14R-02G	L14L-02	2.55	1.17
M22-02VFRLX	VS22-02	F22B-02	R22R-02G	L22L-02	2.38	1.08
M22-03VFRLX	VS22-03	F22B-03	R22R-03G	L22L-03	2.38	1.08
M22-04VFRLX	VS22-04	F22B-04	R22R-04G	L22L-04	2.38	1.08
M32-04VFRLX	VS32-04	F32B-04	R32R-04G	L32L-04	4.78	2.17
M32-06VFRLX	VS32-06	F32B-06	R32R-06G	L32L-06	4.78	2.17

Options (see page 34 for Drain Options)

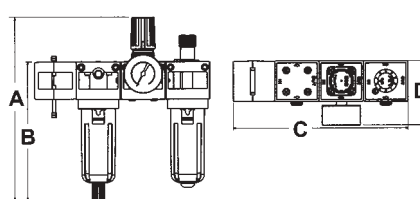
- A = Auto Drain (22,32 Series only)
- B = Flexible Drain
- C = CircleVision™ Sight Bowl (22,32 Series only)
- J = External Pulse Drain
- M = Metal Bowls w/ Sight Glass
- F = Lubricator Quick Fill
- Q = Metal Manual Drain
- R = Manual Lever Drain

14 Series



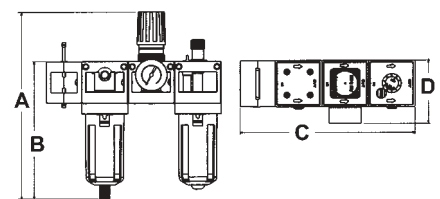
A 7.90 (200) B 5.84 (148) C 6.72 (172) D 3.1 (74)

22 Series



A 10.02 (255) B 7.62 (194) C 9.32 (237) D 3.42 (87)

32 Series



A 12.32 (313) B 9.12 (232) C 11.25 (286) D 4.10 (104)

42 Series Assemblies Coming 2004



Numatics *FLEXIBLOK*® FRL Series



Shut Off/Filter-Regulator/Diverter Block/Lubricator w/ Gauge



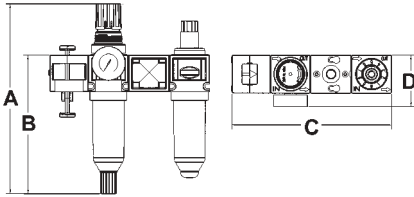
Components

MODEL #	SHUT OFF	FILTER/ REGULATOR	DIVERTER BLOCK	LUBRICATOR	WEIGHT	
					LBS.	KGS
M14-01VPDLX	VS14-01	P14B-01G	DK14-02	L14L-01	2.50	1.13
M14-02VPDLX	VS14-02	P14B-02G	DK14-02	L14L-02	2.50	1.13
M22-02VPDLX	VS22-02	P22B-02G	DK22-03	L22L-02	2.26	1.03
M22-03VPDLX	VS22-03	P22B-03G	DK22-03	L22L-03	2.26	1.03
M22-04VPDLX	VS22-04	P22B-04G	DK22-03	L22L-04	2.26	1.03
M32-04VPDLX	VS32-04	P32B-04G	DK32-04	L32L-04	4.86	2.21
M32-06VPDLX	VS32-06	P32B-06G	DK32-04	L32L-06	4.86	2.21

Options (see page 34 for Drain Options)

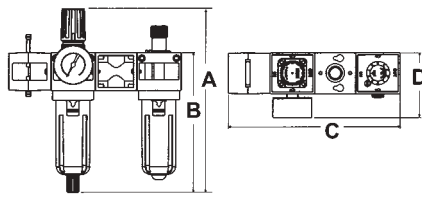
- A = Auto Drain (22,32 Series only)
- B = Flexible Drain
- C = CircleVision™ Sight Bowl (22,32 Series only)
- J = External Pulse Drain
- M = Metal Bowls w/ Sight Glass
- F = Lubricator Quick Fill
- Q = Metal Manual Drain
- R = Manual Lever Drain

14 Series



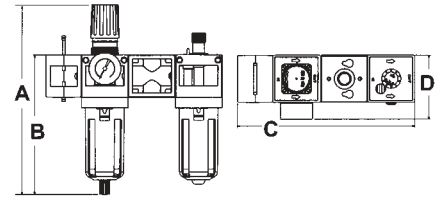
A 7.90 (200) B 5.84 (148) C 6.72 (172) D 3.1 (79)

22 Series



A 9.93 (252) B 7.62 (194) C 9.11 (231) D 3.41 (87)

32 Series



A 12.32 (313) B 9.12 (232) C 11.25 (286) D 4.10 (104)

42 Series Assemblies Coming 2004

Shut Off/Particulate Filter/Coalescing Filter/Regulator w/ Gauge



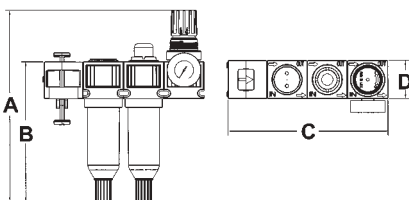
Components

MODEL #	SHUT OFF	PARTICULATE FILTER	COALESCING FILTER	REGULATOR	WEIGHT	
					LBS.	KGS
M14-01VFFRX	VS14-01	F14B-01	F14D-01	R14R-01G	2.60	1.20
M14-02VFFRX	VS14-02	F14B-02	F14D-02	R14R-02G	2.60	1.20
M22-02VFFRX	VS22-02	F22B-02	F22D-02	R22R-02G	2.38	1.08
M22-03VFFRX	VS22-03	F22B-03	F22D-03	R22R-03G	2.38	1.08
M22-04VFFRX	VS22-04	F22B-04	F22D-04	R22R-04G	2.38	1.08
M32-04VFFRX	VS32-04	F32B-04	F32D-04	R32R-04G	4.90	2.23
M32-06VFFRX	VS32-06	F32B-06	F32D-06	R32R-06G	4.90	2.23

Options (see page 34 for Drain Options)

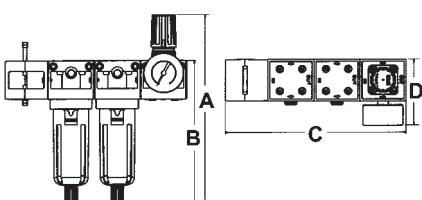
- A = Auto Drain (22,32 Series only)
- B = Flexible Drain
- C = CircleVision™ Sight Bowl (22,32 Series only)
- J = External Pulse Drain
- M = Metal Bowls w/ Sight Glass
- Q = Metal Manual Drain
- R = Manual Lever Drain

14 Series



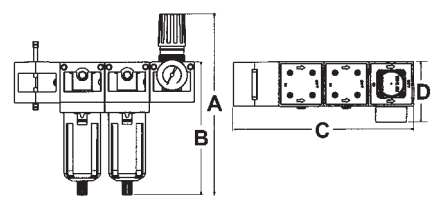
A 7.90 (200) B 5.84 (148) C 6.72 (172) D 3.1 (79)

22 Series



A 10.02 (255) B 7.62 (194) C 9.30 (237) D 3.42 (87)

32 Series



A 12.32 (313) B 9.12 (232) C 11.25 (286) D 4.10 (104)

42 Series Assemblies Coming 2004



Numatics *FLEXIBLOK*® FRL Series

Shut Off/Coalescer-Regulator/Lubricator w/ Gauge

Components



MODEL #	SHUT OFF	COALESCER/ REGULATOR	LUBRICATOR	WEIGHT	
				LBS.	KGS
M14-01VCLXX	VS14-01	C14D-01G	L14L-01	2.10	0.94
M14-02VCLXX	VS14-02	C14D-02G	L14L-02	2.10	0.94
M22-02VCLXX	VS22-02	C22D-02G	L22L-02	1.96	0.89
M22-03VCLXX	VS22-03	C22D-03G	L22L-03	1.96	0.89
M22-04VCLXX	VS22-04	C22D-04G	L22L-04	1.96	0.89
M32-04VCLXX	VS32-04	C32D-04G	L32L-04	3.93	1.79
M32-06VCLXX	VS32-06	C32D-06G	L32L-06	3.93	1.79

Options (see page 34 for Drain Options)

A = Auto Drain (22,32 Series only)

B = Flexible Drain

C = CircleVision™ Sight Bowl (22,32 Series only)

J = External Pulse Drain

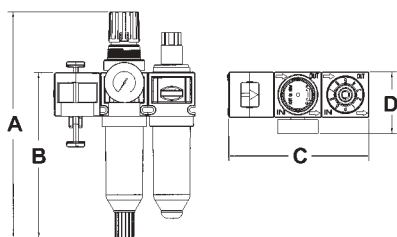
M = Metal Bowls w/ Sight Glass

F = Lubricator Quick Fill

Q = Metal Manual Drain

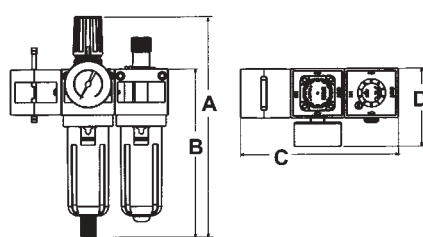
R = Manual Lever Drain

14 Series



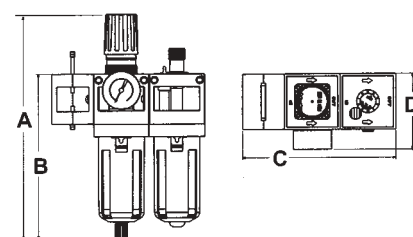
A 7.90 (200) B 5.84 (148) C 5.04 (129) D 3.1 (79)

22 Series



A 7.93 (252) B 7.62 (194) C 6.95 (177) D 3.42 (87)

32 Series



A 12.32 (313) B 9.12 (232) C 8.25 (210) D 4.10 (103)

42 Series Assemblies Coming 2004

Shut Off/Particulate Filter/Regulator/Diverter Block/Lubricator w/ Gauge

Components



MODEL #	SHUT OFF	PARTICULATE FILTER	REGULATOR	BLOCK	DIVERTER LUBRICATOR	WEIGHT	
						LBS.	KGS
M14-01VFRDL	VS14-01	F14B-01	R14R-01G	DK14-02	L14L-01	3.00	1.37
M14-02VFRDL	VS14-02	F14B-02	R14R-02G	DK14-02	L14L-02	3.00	1.37
M22-02VFRDL	VS22-02	F22B-02	R22R-02G	DK22-03	L22L-02	2.69	1.22
M22-03VFRDL	VS22-03	F22B-03	R22R-03G	DK22-03	L22L-03	2.69	1.22
M22-04VFRDL	VS22-04	F22B-04	R22R-04G	DK22-03	L22L-04	2.69	1.22
M32-04VFRDL	VS32-04	F32B-04	R32R-04G	DK32-04	L32L-04	5.72	2.60
M32-06VFRDL	VS32-06	F32B-06	R32R-06G	DK32-04	L32L-06	5.72	2.60

Options (see page 34 for Drain Options)

A = Auto Drain (22,32 Series only)

B = Flexible Drain

C = CircleVision™ Sight Bowl (22,32 Series only)

J = External Pulse Drain

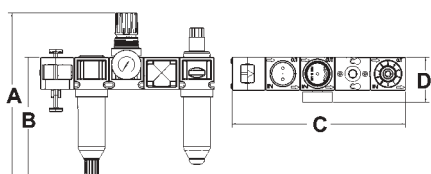
M = Metal Bowls w/ Sight Glass

F = Lubricator Quick Fill

Q = Metal Manual Drain

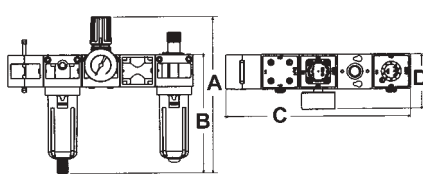
R = Manual Lever Drain

14 Series



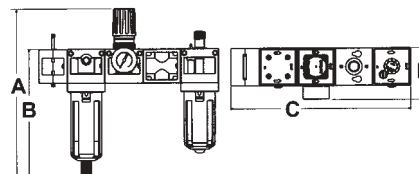
A 7.90 (200) B 5.84 (148) C 8.4 (215) D 3.1 (79)

22 Series



A 10.02 (255) B 7.62 (193) C 11.50 (292) D 3.42 (87)

32 Series



A 12.32 (313) B 9.12 (232) C 14.25 (362) D 4.10 (103)

42 Series Assemblies Coming 2004



Shut Off/Particulate Filter/Diverter Block/Coalescer-Regulator w/ Gauge



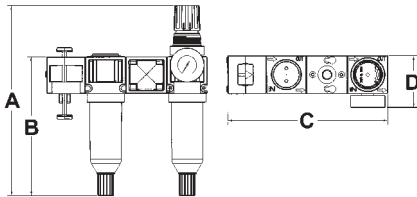
Components

MODEL #	SHUT OFF	PARTICULATE FILTER	DIVERTER BLOCK	COALESCER/REGULATOR	WEIGHT	
					LBS.	KGS
M14-01VFDCX	VS14-01	F14B-01	DK14-02	C14D-01G	2.55	1.15
M14-02VFDCX	VS14-02	F14B-02	DK14-02	C14D-02G	2.55	1.15
M22-02VFDCX	VS22-02	F22B-02	DK22-03	C22D-02G	2.26	1.03
M22-03VFDCX	VS22-03	F22B-03	DK22-03	C22D-03G	2.26	1.03
M22-04VFDCX	VS22-04	F22B-04	DK22-03	C22D-04G	2.26	1.03
M32-04VFDCX	VS32-04	F32B-04	DK32-04	C32D-04G	4.87	2.21
M32-06VFDCX	VS32-06	F32B-06	DK32-04	C32D-06G	4.87	2.21

Options (see page 34 for Drain Options)

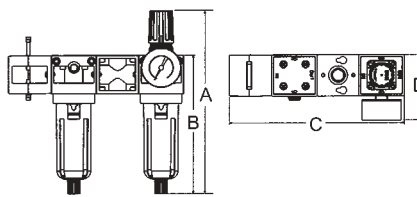
- A = Auto Drain (22,32 Series only)
- B = Flexible Drain
- C = CircleVision™ Sight Bowl (22,32 Series only)
- J = External Pulse Drain
- M = Metal Bowls w/ Sight Glass
- Q = Metal Manual Drain
- R = Manual Lever Drain

14 Series



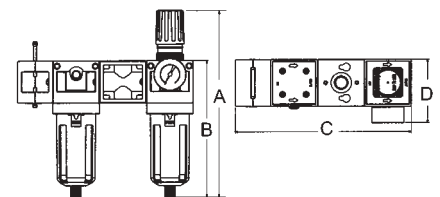
A 7.90 (200) B 5.84 (148) C 6.72 (172) D 3.1 (79)

22 Series



A 9.93 (252) B 7.61 (193) C 9.11 (231) D 3.42 (87)

32 Series



A 12.32 (313) B 9.12 (232) C 11.25 (286) D 4.10 (104)

42 Series Assemblies Coming 2004

Shut Off/Filter-Regulator/Lubricator w/ Gauge



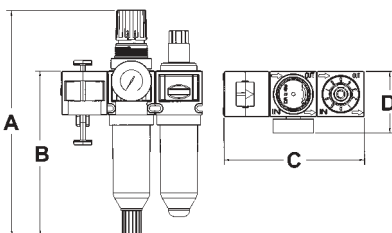
Components

MODEL #	SHUT OFF	PARTICULATE/REGULATOR	LUBRICATOR	WEIGHT	
				LBS.	KGS
M14-01VPLXX	VS14-01	P14B-01G	L14L-01	2.05	0.93
M14-02VPLXX	VS14-02	P14B-02G	L14L-02	2.05	0.93
M22-02VPLXX	VS22-02	P22B-02G	L22L-02	1.95	0.89
M22-03VPLXX	VS22-03	P22B-03G	L22L-03	1.95	0.89
M22-04VPLXX	VS22-04	P22B-04G	L22L-04	1.95	0.89
M32-04VPLXX	VS32-04	P32B-04G	L32L-04	3.92	1.78
M32-06VPLXX	VS32-06	P32B-06G	L32L-06	3.92	1.78

Options (see page 34 for Drain Options)

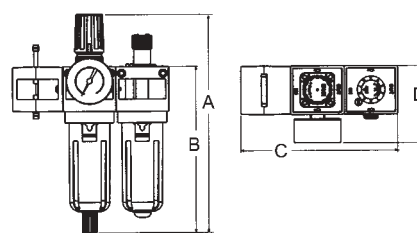
- A = Auto Drain (22,32 Series only)
- B = Flexible Drain
- C = CircleVision™ Sight Bowl (22,32 Series only)
- J = External Pulse Drain
- M = Metal Bowls w/ Sight Glass
- F = Lubricator Quick Fill
- Q = Metal Manual Drain
- R = Manual Lever Drain

14 Series



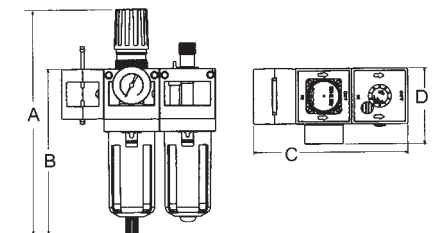
A 7.90 (200) B 5.84 (148) C 5.04 (129) D 3.1 (79)

22 Series



A 9.93 (252) B 7.62 (193) C 6.95 (177) D 3.42 (87)

32 Series



A 12.32 (313) B 9.12 (232) C 8.25 (210) D 4.10 (104)

42 Series Assemblies Coming 2004



Numatics *FLEXIBLOK*® FRL Series

Shut Off/Particulate Filter/Diverter Block/Regulator/Lubricator w/ Gauge



Components

MODEL #	SHUT OFF	PARTICULATE FILTER	DIVERTER BLOCK	REGULATOR	LUBRICATOR	WEIGHT	
						LBS.	KGS
M14-01VFDRL	VS14-01	F14B-01	DK14-02	R14R-01G	L14L-01	3.00	1.37
M14-02VFDRL	VS14-02	F14B-02	DK14-02	R14R-02G	L14L-02	3.00	1.37
M22-02VFDRL	VS22-02	F22B-02	DK22-03	R22R-02G	L22L-02	2.69	1.22
M22-03VFDRL	VS22-03	F22B-03	DK22-03	R22R-03G	L22L-03	2.69	1.22
M22-04VFDRL	VS22-04	F22B-04	DK22-03	R22R-04G	L22L-04	2.69	1.22
M32-04VFDRL	VS32-04	F32B-04	DK32-04	R32R-04G	L32L-04	5.72	2.60
M32-06VFDRL	VS32-06	F32B-06	DK32-04	R32R-06G	L32L-06	5.72	2.60

Options (see page 34 for Drain Options)

A = Auto Drain (22,32 Series only)

B = Flexible Drain

C = CircleVision™ Sight Bowl (22,32 Series only)

J = External Pulse Drain

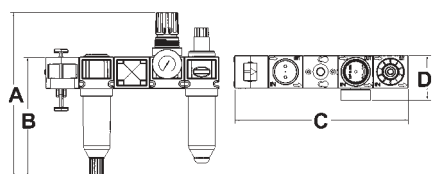
M = Metal Bowls w/ Sight Glass

F = Lubricator Quick Fill

Q = Metal Manual Drain

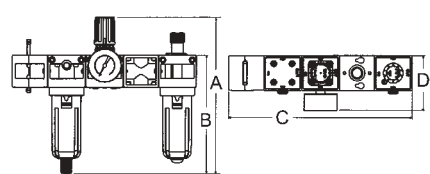
R = Manual Lever Drain

14 Series



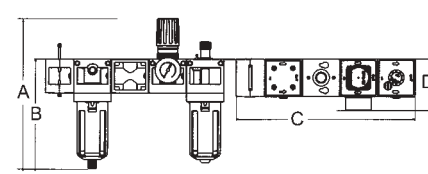
A 7.90 (200) B 5.84 (148) C 8.4 (215) D 3.1 (79)

22 Series



A 10.02 (255) B 7.62 (194) C 11.50 (292) D 3.42 (87)

32 Series



A 12.32 (313) B 9.12 (232) C 14.25 (362) D 4.10 (104)

42 Series Assemblies Coming 2004

Shut Off/Particulate Filter/Coalescer-Regulator w/ Gauge



Components

Model #	Shut Off	Particulate Filter	Coalescer/Regulator	Weight	
				lbs.	kg
M14-01VFCXX	VS14-01	F14B-01	C14D-01G	2.10	0.95
M14-02VFCXX	VS14-02	F14B-02	C14D-02G	2.10	0.95
M22-02VFCXX	VS22-02	F22B-02	C22D-02G	1.95	0.89
M22-03VFCXX	VS22-03	F22B-03	C22D-03G	1.95	0.89
M22-04VFCXX	VS22-04	F22B-04	C22D-04G	1.95	0.89
M32-04VFCXX	VS32-04	F32B-04	C32D-04G	3.93	1.79
M32-06VFCXX	VS32-06	F32B-06	C32D-06G	3.93	1.79

Options (see page 34 for Drain Options)

A = Auto Drain (22,32 Series only)

B = Flexible Drain

C = CircleVision™ Sight Bowl (22,32 Series only)

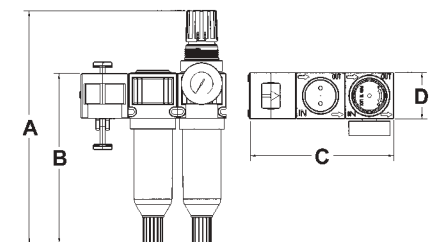
J = External Pulse Drain

M = Metal Bowls w/ Sight Glass

Q = Metal Manual Drain

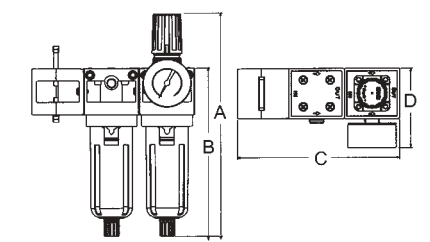
R = Manual Lever Drain

14 Series



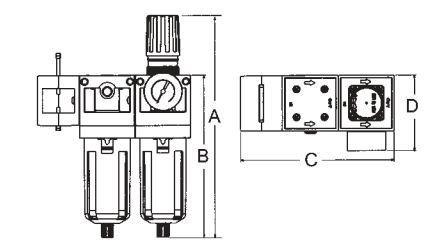
A 7.90 (200) B 5.84 (148) C 5.04 (129) D 3.1 (79)

22 Series



A 9.93 (252) B 7.62 (193) C 6.95 (177) D 3.42 (87)

32 Series



A 12.32 (313) B 9.12 (232) C 8.25 (210) D 4.10 (104)

42 Series Assemblies Coming 2004



MODUBLOK™

Combination models

Example



MOD22-08

STATION POSITION	DESCRIPTION	MODEL NUMBER
1	Shut-Off Valve	VS22-03
2	Particulate Filter	F22B-03
3	Coalescer w/ metal bowl and pulse drain	F22D-03JM
4	Diverter Block	DK22-03
4T	Regulator	R22R-03
4B	Pressure Switch	PS180CAN02
5	Regulator w/ gauge	R22R-03G
6	Lubricator	L22L-03

About MODUBLOK™ Assemblies

The *FLEXIBLOK*® modular system is designed to connect individual components into a complete assembly. Sometimes it is necessary to order an assembly using additional or non-standard components or combinations. The *MODUBLOK*™ system makes it easy to order non-standard combinations.

As with all other components and combinations, all modular assemblies come factory tested and approved and assembled complete. For more information on flow, dimensions, options, and accessories, see individual component pages.

Because of the many possible combinations when utilizing modular systems, it is recommended that complex stations include a schematic drawing. When ordering, specify all components at each station, based on the example to the left.

How to label diverter blocks

When using a diverter block, indicate all units at that station before continuing. If additional units are mounted above the diverter block, use the letter 'T' (for 'top') as well as a letter sequence (TA, TB, TC, etc.) starting from the diverter block, and continuing out. If units are placed below the diverter block, begin the two letter alphabetic sequence with the letter 'B' (for bottom) as well as a letter sequence (BA, BB, BC, etc.) starting with the diverter block and continuing outward. Continue in this pattern until all units are placed correctly.

Reducing Bushings

Reducing bushings may be required to connect some components (i.e. pressure switches, etc).

SERIES	SIZE
22	3/8 to 1/4 or 3/8 to 1/8
32	1/2 to 1/4 or 1/2 to 1/8

NEED MORE PARTS AND INFORMATION?

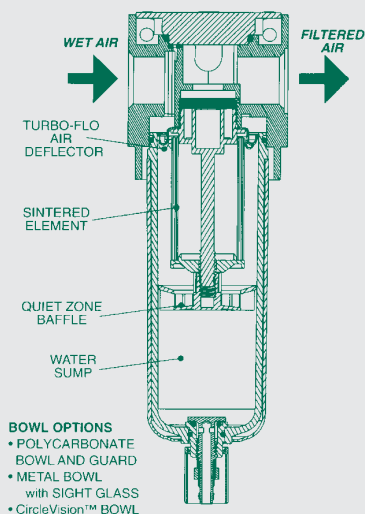
- See page 34 for more information on available drain options.
- See page 35 for information on ordering replacement parts.



Numatics *FLEXIBLOK*® FRL Series



ANSI SYMBOL



Particulate Filter

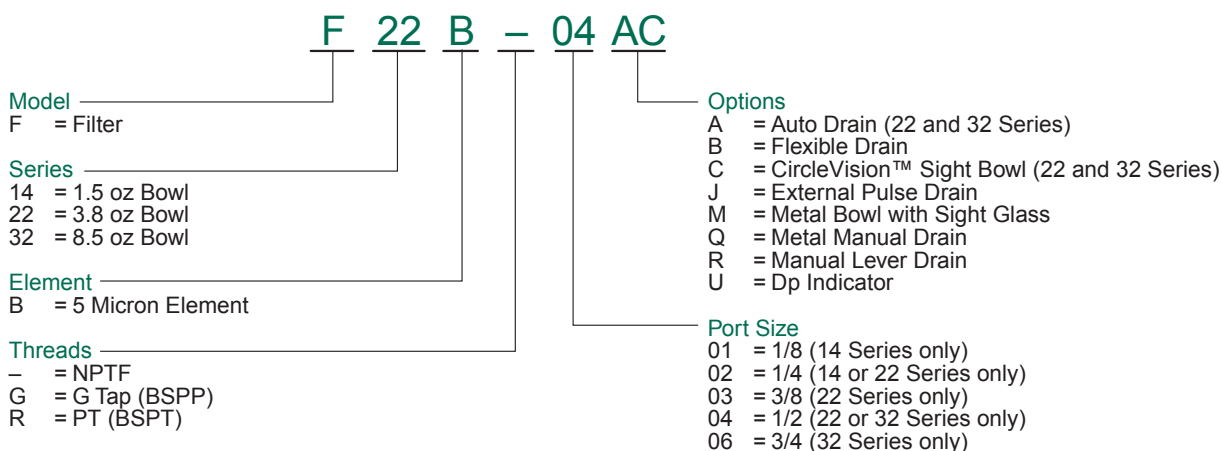
F14B, F22B, F32B Series

- Three convenient sizes
- 5 micron sintered elements standard
- Can be installed as modular or individual unit
- Includes screws and o-rings for modular connection
- Manual or automatic drain
- Polycarbonate bowl standard
- Optional metal bowl with sight glass
- Optional CircleVision™ sight bowl
- Bowl seal held captive (22 and 32 Series)

Specifications

BOWL	POLYCARBONATE BOWL	CIRCLEVISION™ BOWL	METAL BOWL
Temperature Range (°F)	40-120	40-120	40-120
Temperature Range (°C)	4-50	4-50	4-50
Max. Pressure (PSIG)	150	250	200
Max. Pressure (BAR)	10	17	14
14 Series (Weight, lbs.)	.60	-	.65
14 Series (Weight, kg)	.28	-	.30
22 Series (Weight, lbs.)	.65	.86	1.25
22 Series (Weight, kg)	.30	.39	.57
32 Series (Weight, lbs.)	1.3	1.7	2.5
32 Series (Weight, kg)	.59	.77	1.14

How to Order

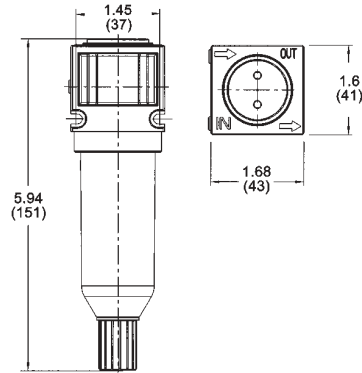


NEED MORE PARTS AND INFORMATION?

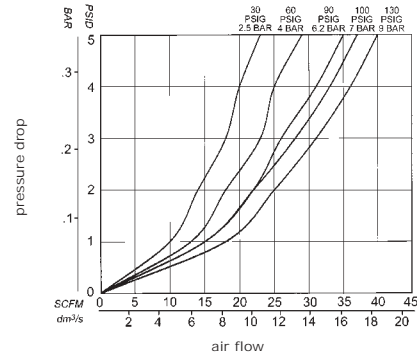
- See page 34 for more information on available drain options.
- See page 35 for information on ordering replacement parts.



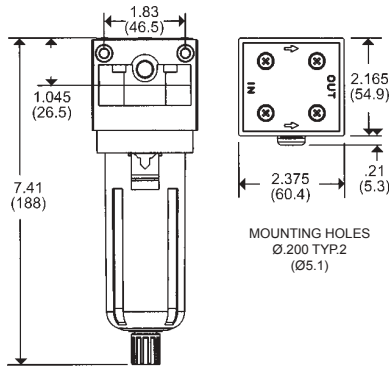
14 Series Particulate



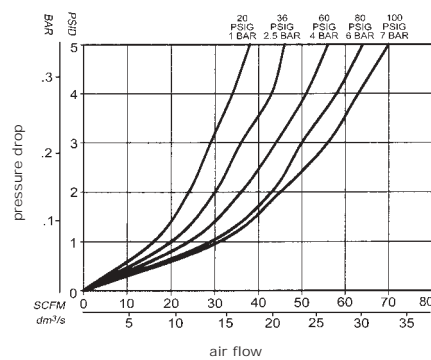
F14B-02 (5 micron particulate)



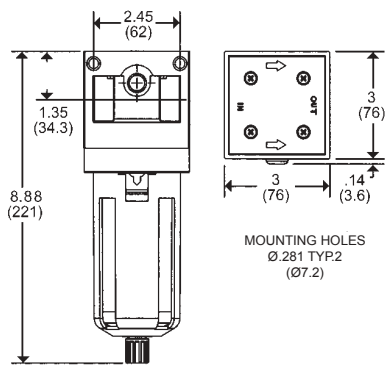
22 Series Particulate



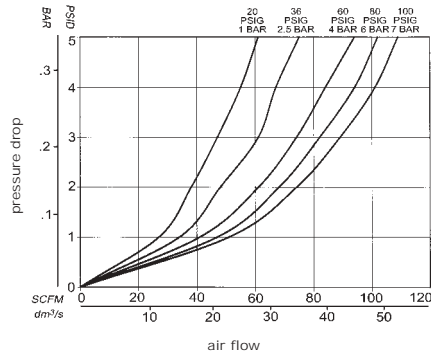
F22B-04 (5 micron particulate)



32 Series Particulate



F32B-06 (5 micron particulate)



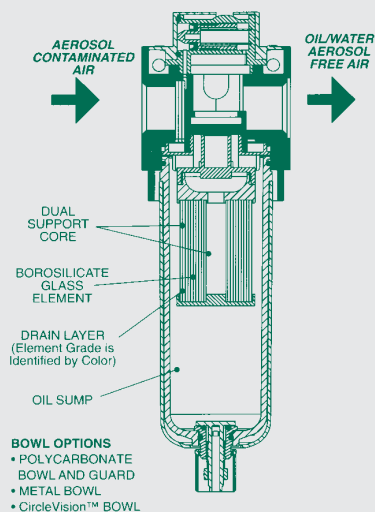
42 Series Particulate – Coming in 2004



Numatics *FLEXIBLOK*® FRL Series



ANSI SYMBOL



Coalescing Filter

F14, F22, F32 Series

- Three convenient sizes
- Cartridge element design
- Inner and outer support cores prevent element from crushing in either flow direction
- Available with manual or automatic drain
- Optional CircleVision™ sight bowl
- Dp indicator standard on 14, 22, and 32 Series

Recommended Uses

C grade element, identified by its blue drain layer, is a coarse filter for large amounts of water, rust, pipe scale, and liquid hydrocarbons. Excellent for environments that have severe contamination. Can be used for lubricated or 'dry' systems. Ideal for mainline filtration of plant air.

D grade element, identified by its green drain layer, is a fine filter for cylinder or valves - especially when the circuit is being run without lubrication ('dry'). Excellent filter for desiccant or regenerative style dryers.

E grade element, identified by its red drain layer, is an ultra fine filter for oil-free instrumentation air, blow molding, food and drug packaging, electronics applications, and other applications requiring maximum contamination removal.

F grade element, identified by its white drain layer, is an adsorbing filter that utilizes activated carbon to capture hydrocarbon vapor and deodorize compressed air. Typically it is used to protect worker environments, food and drug applications, breathing air, and instrumentation for analytical instruments. Life expectancy is approximately 3 months at rated flow.

Specifications

BOWL	POLYCARBONATE BOWL	CIRCLEVISION™ BOWL	METAL BOWL
Temperature Range (°F)	40-120	40-120	40-120
Temperature Range (°C)	4-50	4-50	4-50
Max. Pressure (PSIG)	150	250	200
Max. Pressure (BAR)	10	17	14
14 Series (Weight, lbs.)	0.65	-	0.70
14 Series (Weight, kg)	0.30	-	0.32
22 Series (Weight, lbs.)	0.66	0.89	1.28
22 Series (Weight, kg)	0.30	0.40	0.58
32 Series (Weight, lbs.)	1.42	1.83	2.56
32 Series (Weight, kg)	0.65	0.83	1.16

How to Order

F 14 D - 02 AC

Model

F = Filter

Series

14 = 1.5 oz Bowl
22 = 3.8 oz Bowl
32 = 8.5 oz Bowl

Element

C = .7 Micron Coarse Coalescer
D = .3 Micron Fine Coalescer
E = .1 Micron Ultra Fine Coalescer
F = Vapor adsorber

Threads

- = NPTF
G = G Tap (BSPP)
R = PT (BSPT)

Options

A = Auto Drain (22 and 32 Series)
B = Flexible Drain
C = CircleVision™ Sight Bowl (22 and 32 Series)
D = 3 Micron, Internal Pleated Prefilter
J = External Pulse Drain
M = Metal Bowl With Sight Glass
Q = Metal Manual Drain
R = Manual Lever Drain

Port Size

01 = 1/8 (14 Series Only)
02 = 1/4 (14 or 22 Series Only)
03 = 3/8 (22 Series Only)
04 = 1/2 (22 or 32 Series Only)
06 = 3/4 (32 Series Only)

NEED MORE PARTS AND INFORMATION?

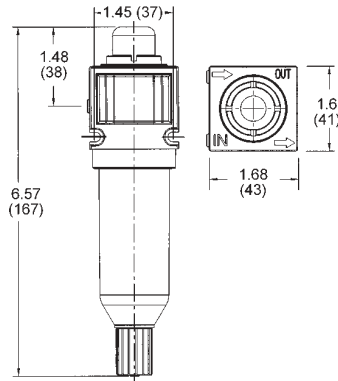
- See page 34 for more information on available drain options.
- See page 35 for information on ordering replacement parts.



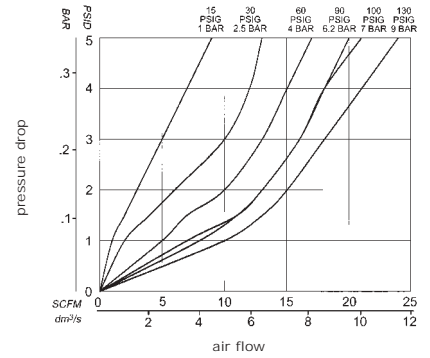
Numatics *FLEXIBLOK*® FRL Series



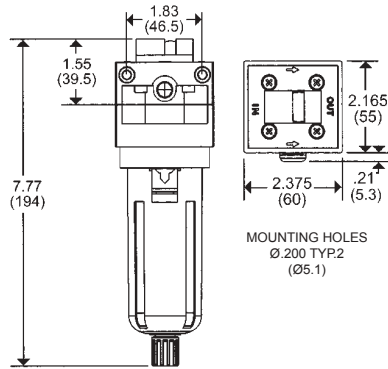
14 Series Coalescer



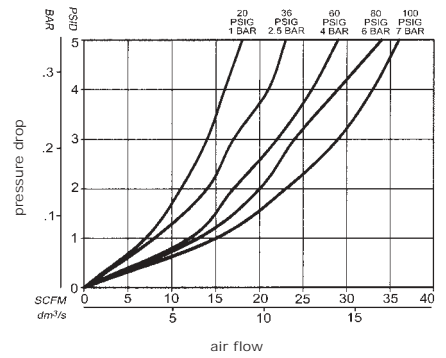
F14D-02 (.3 micron coalescer)



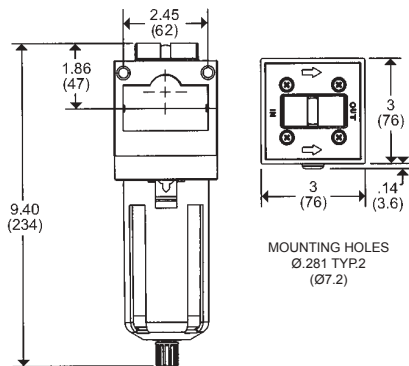
22 Series Coalescer



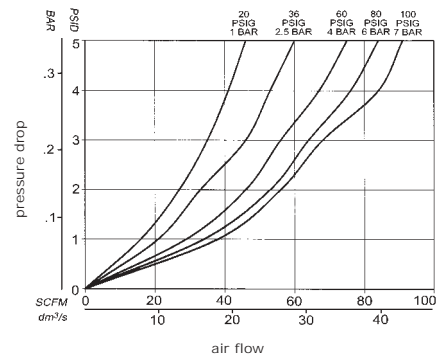
F22D-04 (.3 micron coalescer)



32 Series Coalescer



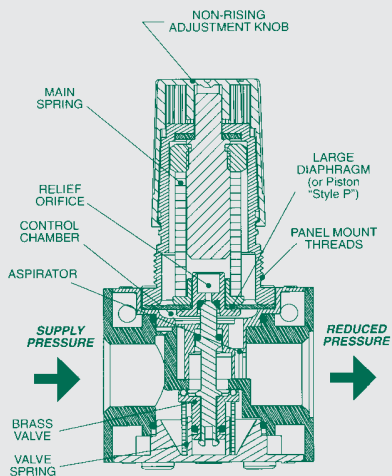
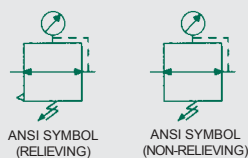
F32D-06 (.3 micron coalescer)



42 Series Coalescer – Coming in 2004



Numatics *FLEXIBLOK*® FRL Series



Regulator

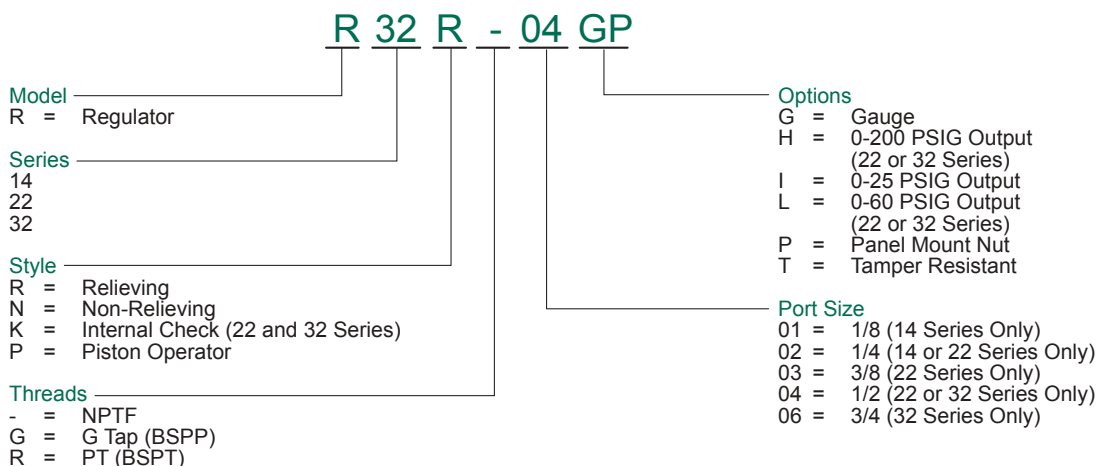
R14, R22, R32 Series

- Three convenient sizes
- High flow in compact size
- Locking adjustment knob
- Four different pressure ratings available
- Relieving or non-relieving models
- Can be installed as modular or individual unit
- Standard output pressure 0-125 PSIG

Specifications

	14 SERIES	22 SERIES	32 SERIES
Temperature Range (°F)	40-120	40-120	40-120
Temperature Range (°C)	4-50	4-50	4-50
Max. Pressure (PSIG)	250	200	200
Max. Pressure (BAR)	17	14	14
Weight (lbs.)	0.65	0.69	1.37
Weight (kg)	0.30	0.31	0.62
Body Material	Zinc	Aluminum	Aluminum

How to Order

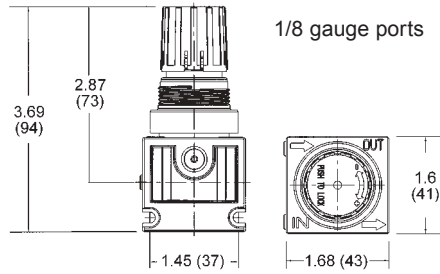


NEED MORE PARTS AND INFORMATION?

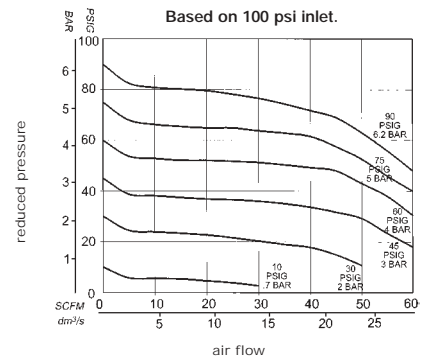
- See page 35 for information on ordering replacement parts.



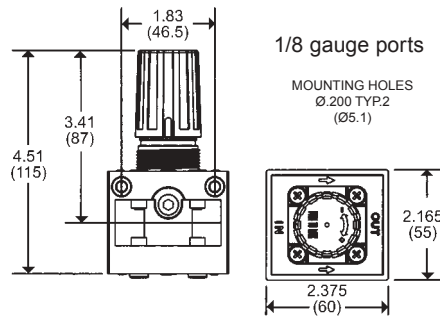
14 Series Regulator



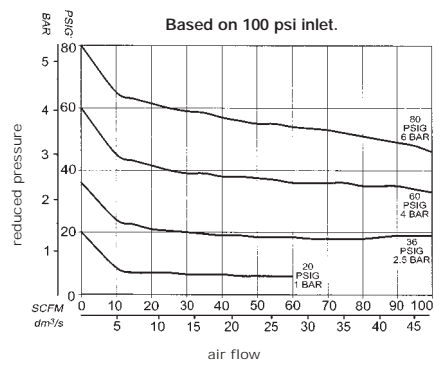
R14R-02 (14 Series Regulator)



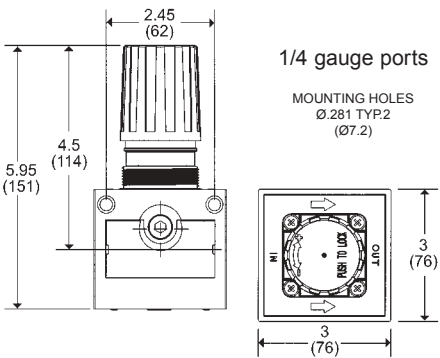
22 Series Regulator



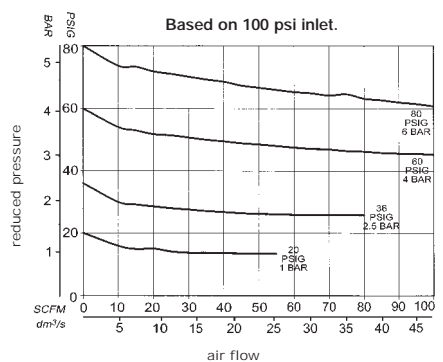
R22R-04 (22 Series Regulator)



32 Series Regulator



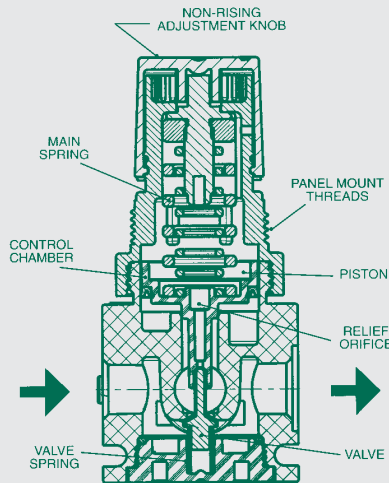
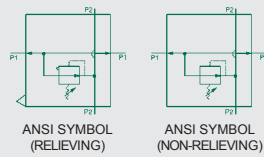
R32R-06 (32 Series Regulator)



42 Series Regulator – Coming in 2004



Numatics FLEXIBLOK® FRL Series



Manifold Regulator MR14 Series

The 14 Series Manifold Regulator allows several regulators to be chained together while maintaining a constant primary pressure to each regulator. This regulator features a dual spring design which covers any possible outlet setting without the need to indicate a specific spring, eliminating confusing options and part numbers. The regulator uses the inner spring for more precise, lower pressures, and the outer spring for middle to high pressures. As the smaller, inner spring is compressed, the larger, outer spring takes over for higher pressures.

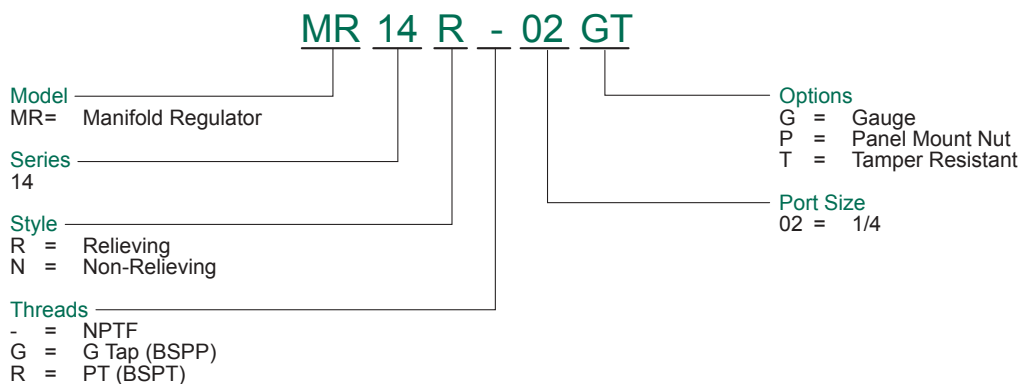
Regulators consist of a piston which floats between the main springs (top) and a valve stem (bottom). By turning the adjustment knob clockwise, the main spring is forced onto the piston which, in turn, is pressed onto the valve stem. When the spring force becomes greater than the force of the air pressure in the control chamber below the piston, the valve is forced down and flow begins. As flow continues, the pressure begins to build and air, via the aspirator tube, fills the control chamber. When the underside piston force is greater than the main spring force, the piston is forced upward, causing the main valve to close. The cycle continues in a balanced process of reducing or increasing flow based upon the downstream pressure.

Specifications

14 SERIES	
Temperature Range (°F)	40-120
Temperature Range (°C)	4-50
Max. Pressure (PSIG)	250
Max. Pressure (BAR)	17
Weight (lbs.)	0.60
Weight (kg)	0.27
Body Material	Zinc

- High flow in compact size
- Locking adjustment knob
- Single pressure range suits any application
- Relieving or non-relieving models
- Can be installed as modular or individual unit
- Standard output pressure 0-125 PSIG

How to Order

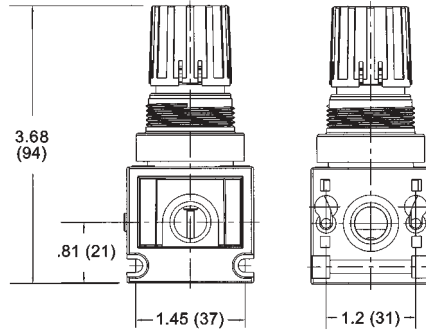


NEED MORE PARTS AND INFORMATION?

- See page 35 for information on ordering replacement parts.

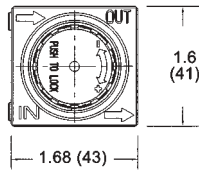


14 Series Manifold Regulator

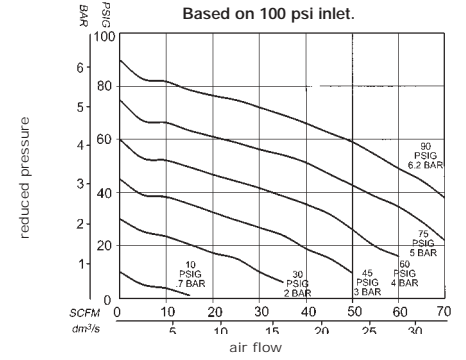


1/8 gauge ports

MOUNTING HOLES
Ø.300 TYP.2 (Ø7.6)



MR14R-02 (14 Series Manifold Regulator)



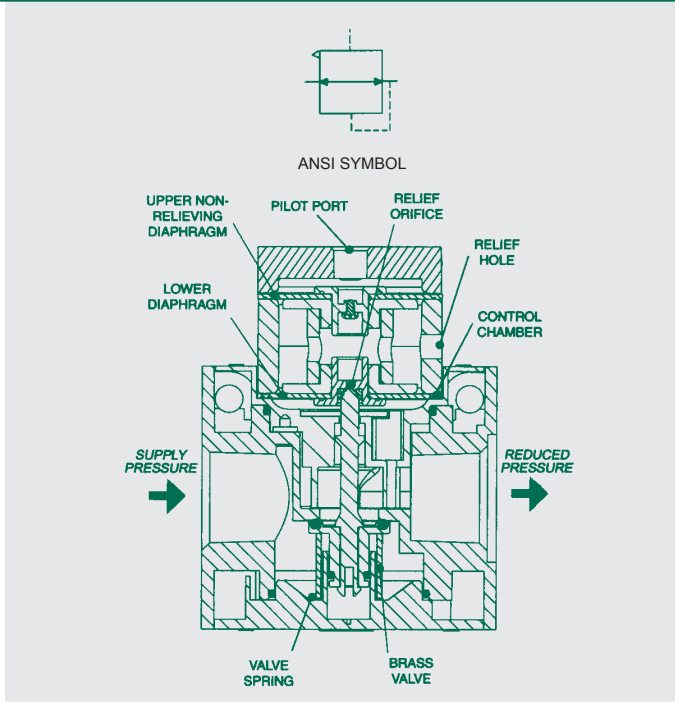


Numatics *FLEXIBLOK*® FRL Series

Regulator

R22, R32 Series

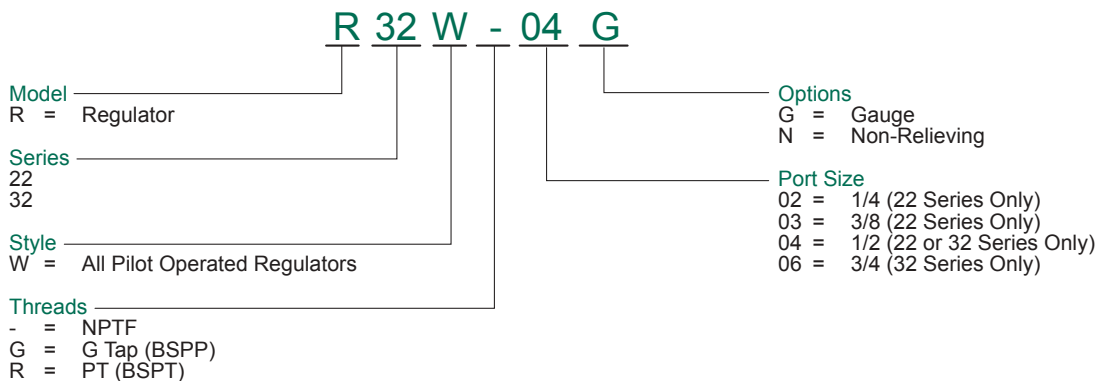
- Two convenient sizes
- High flow in compact size
- Can be installed as modular or individual unit
- Standard output pressure 0-125 PSIG
- Relieving or non-relieving models



Specifications

	22 SERIES	32 SERIES
Temperature Range (°F)	40-120	40-120
Temperature Range (°C)	4-50	4-50
Min. Pilot Pressure (PSI)	15	15
Min. Pilot Pressure (BAR)	1	1
Max. Pilot Pressure (PSI)	150	150
Max. Pilot Pressure (BAR)	10.2	10.2
Max. Supply Pressure (PSI)	150	150
Max. Supply Pressure (BAR)	10.2	10.2
Weight (lbs.)	0.66	1.35
Weight (kg)	0.25	0.50
Body Material	Aluminum	Aluminum

How to Order

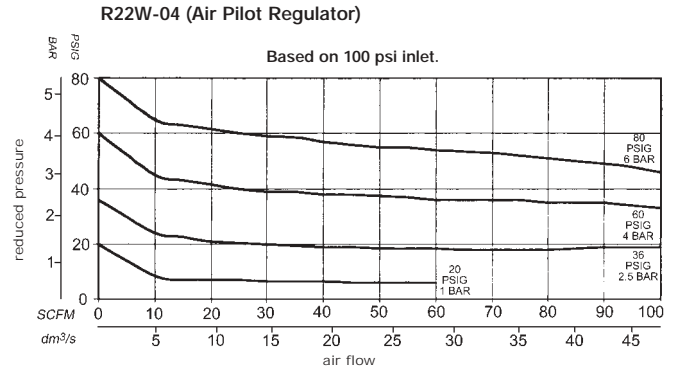
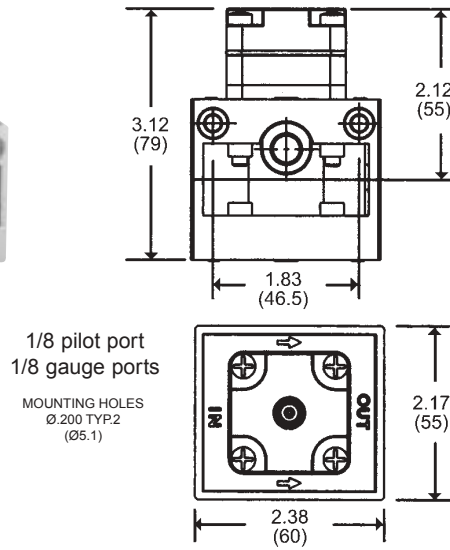


NEED MORE PARTS AND INFORMATION?

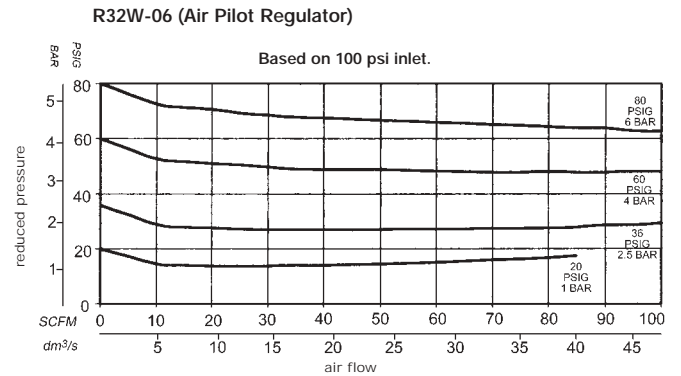
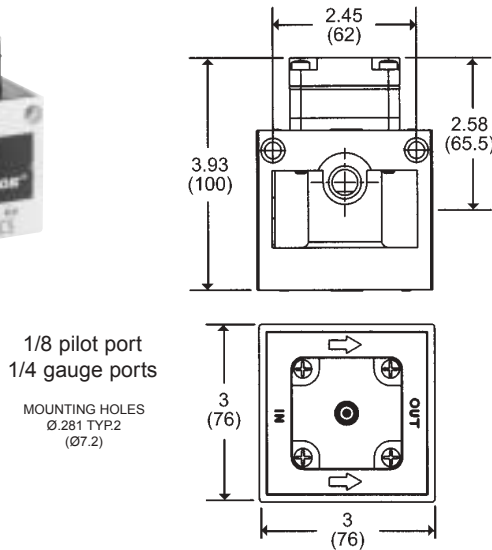
- See page 35 for information on ordering replacement parts.



22 Series Pilot Operated Regulator

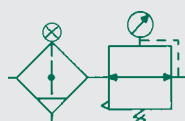


32 Series Pilot Operated Regulator

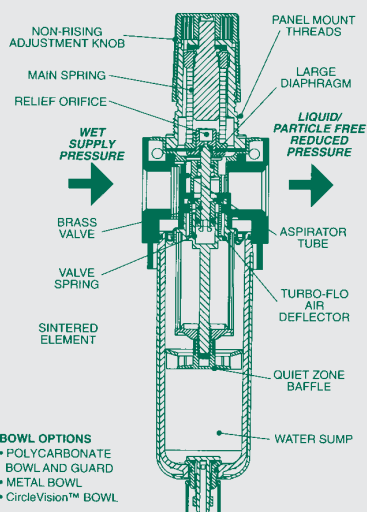




Numatics *FLEXIBLOK*® FRL Series



ANSI SYMBOL



- BOWL OPTIONS**
- POLYCARBONATE BOWL AND GUARD
 - METAL BOWL
 - CircleVision™ BOWL

Particulate Filter/Regulator

P14B, P22B, P32B Series

- Three convenient sizes
- 5 micron element standard
- Can be installed as individual or modular unit
- Non-rising knob
- Optional CircleVision™ sight bowl
- Optional metal bowl with sight glass
- Standard output pressure 0-125 PSIG
- Bowl seal held captive (22 and 32 Series)

Specifications

BOWL	POLYCARBONATE BOWL	CIRCLEVISION™ BOWL	METAL BOWL
Temperature Range (°F)	40-120	40-120	40-120
Temperature Range (°C)	4-50	4-50	4-50
Max. Pressure (PSIG)	150	250	200
Max. Pressure (BAR)	10	17	14
14 Series (Weight, lbs.)	0.75	-	0.80
14 Series (Weight, kg)	0.34	-	0.37
22 Series (Weight, lbs.)	0.91	1.20	1.50
22 Series (Weight, kg)	0.41	0.55	0.68
32 Series (Weight, lbs.)	1.81	2.34	2.94
32 Series (Weight, kg)	0.82	1.06	1.34

How to Order

P 14 B - 02 GIP

Model
P = Particulate/Regulator

Series
14 = 1.5 oz Bowl
22 = 3.8 oz Bowl
32 = 8.5 oz Bowl

Element
B = 5 Micron Element

Threads
- = NPTF
G = G Tap (BSPP)
R = PT (BSPT)

Port Size
01 = 1/8 (14 series only)
02 = 1/4 (14 or 22 series only)
03 = 3/8 (22 series only)
04 = 1/2 (22 or 32 series only)
06 = 3/4 (32 series only)

Options

- A* = Auto Drain (22 and 32 Series)
- B = Flexible Drain
- C = CircleVision™ Sight Bowl (22 and 32 Series)
- G = Gauge
- H* = 0-200 PSIG Output (22 and 32 Series)
- I = 0-25 PSIG Output
- J = External Pulse Drain
- L = 0-60 PSIG Output (22 and 32 Series)
- M = Metal Bowl with Sight Glass
- N = Non-Relieving
- P = Panel Mount Nut
- Q = Metal Manual Drain
- R = Manual Lever Drain
- T = Tamper Resistant

**"A" and "H" options cannot be used together.

Note: To order a piston style particulate filter/regulator, add "P" to the model number. (example: P32BP-04GIP)

NEED MORE PARTS AND INFORMATION?

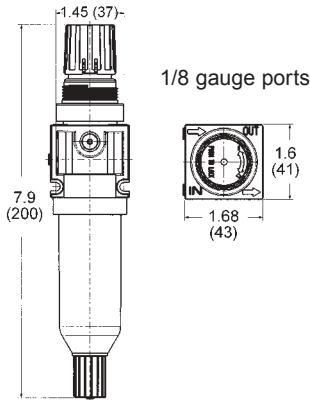
- See page 35 for information on ordering replacement parts.
- See page 34 for more information on available options.



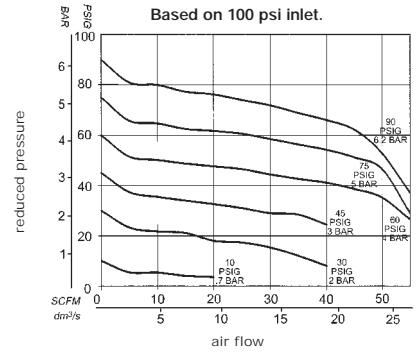
Numatics *FLEXIBLOK*® FRL Series



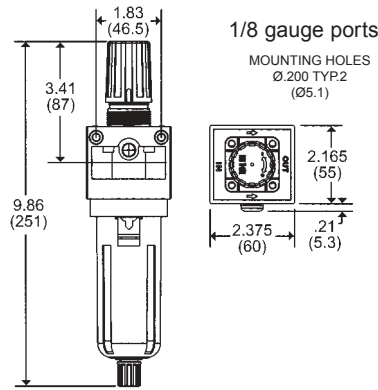
14 Series Filter/Regulator



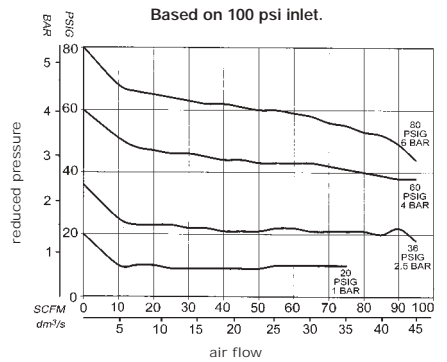
P14B-02 (5 micron particulate)



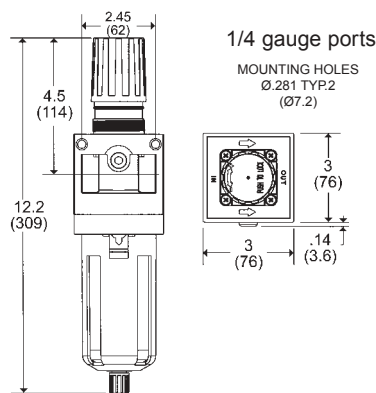
22 Series Filter/Regulator



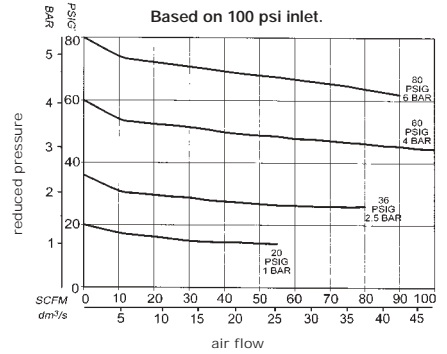
P22B-04 (5 micron particulate)



32 Series Filter/Regulator



P32B-06 (5 micron particulate)



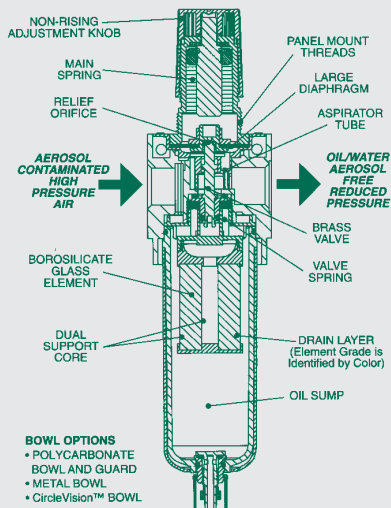
42 Series Filter/Regulator – Coming in 2004



Numatics *FLEXIBLOK*® FRL Series



ANSI SYMBOL



- BOWL OPTIONS**
- POLYCARBONATE BOWL AND GUARD
 - METAL BOWL
 - CircleVision™ BOWL

Coalescing Filter/Regulator

C14, C22, C32 Series

- Cartridge element design
- Inner/outer support cores prevent element from crushing in either flow direction
- Connects easily to *FLEXIBLOK*® Modular system
- Four element grades available

Recommended Uses

C grade element, identified by its blue drain layer, is a coarse filter for large amounts of water, rust, pipe scale, and liquid hydrocarbons. Excellent for environments that have severe contamination. Can be used for lubricated or 'dry' systems. Ideal for mainline filtration of plant air.

D grade element, identified by its green drain layer, is a fine filter for cylinder or valves - especially when the circuit is being run without lubrication ('dry'). Excellent filter for desiccant or regenerative style dryers.

E grade element, identified by its red drain layer, is an ultra fine filter for oil-free instrumentation air, blow molding, food and drug packaging, electronics applications, and other applications requiring maximum contamination removal.

F grade element, identified by its white drain layer, is an adsorbing filter that utilizes activated carbon to capture hydrocarbon vapor and deodorize compressed air. Typically it is used to protect worker environments, food and drug applications, breathing air, and instrumentation for analytical instruments. Life expectancy is approximately 3 months at rated flow.

Specifications

BOWL	POLYCARBONATE BOWL	CIRCLEVISION™ BOWL	METAL BOWL
Temperature Range (°F)	40-120	40-120	40-120
Temperature Range (°C)	4-50	4-50	4-50
Max. Pressure (PSIG)	150	250	200
Max. Pressure (BAR)	10	17	14
14 Series (Weight, lbs.)	0.80	-	0.85
14 Series (Weight, kg)	0.35	-	0.38
22 Series (Weight, lbs.)	0.92	1.20	1.60
22 Series (Weight, kg)	0.42	0.55	0.73
32 Series (Weight, lbs.)	1.82	2.35	2.95
32 Series (Weight, kg)	0.83	1.07	1.34

How to Order

C 32 C - 06 AGNQ

Model
C = Coalescer/Regulator

Series
14 = 1.5 oz Bowl
22 = 3.8 oz Bowl
32 = 8.5 oz Bowl

Element
C = 0.7 Micron Coarse Coalescer
D = 0.3 Micron Fine Coalescer
E = 0.1 Micron Ultra Fine Coalescer
F = Vapor Adsorber

Threads
- = NPTF
G = G Tap (BSPP)
R = PT (BSPT)

Port Size
01 = 1/8 (14 series only)
02 = 1/4 (14 or 22 series only)
03 = 3/8 (22 series only)
04 = 1/2 (22 or 32 series only)
06 = 3/4 (32 series only)

Options

- A* = Auto Drain (22 and 32 series)
- B = Flexible Drain
- C = CircleVision™ Sight Bowl (22 and 32 series)
- D = 3 Micron, Internal Pleated Filter
- G = Gauge
- H* = 0-200 PSIG Output
- I = 0-25 PSIG Output
- J = External Pulse Drain
- L = 0-60 PSIG Output (22 and 32 series)
- M = Metal Bowl with Sight Glass
- N = Non-Relieving
- P = Panel Mount Nut
- Q = Metal Manual Drain
- R = Manual Lever Drain
- T = Tamper Resistant (14 or 22 Series)

*A and 'H' options cannot be used together.

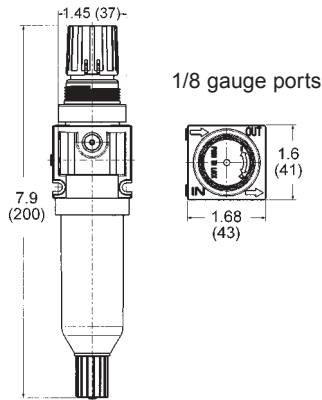
Note: To order a piston style coalescing/regulator, add "P" to the model number. (ie: C32CP-06AGQ)

NEED MORE PARTS AND INFORMATION?

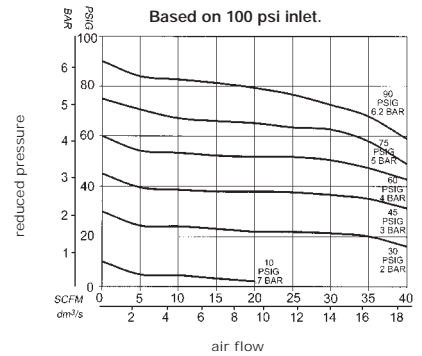
- See page 35 for information on ordering replacement parts.
- See page 34 for more information on available options.



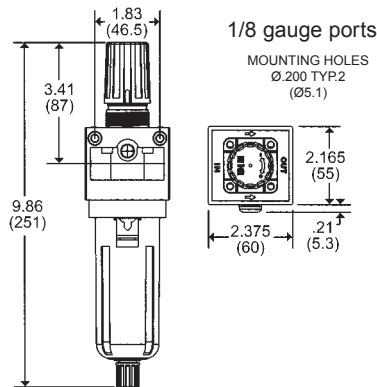
14 Series Coalescer/Regulator



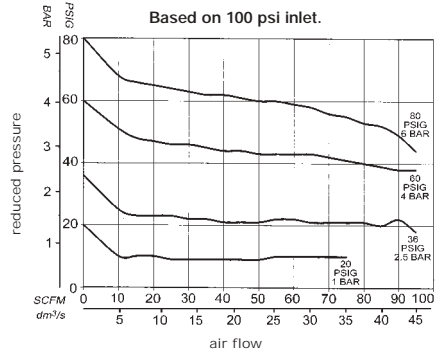
C14D-02 (0.3 micron coalescing)



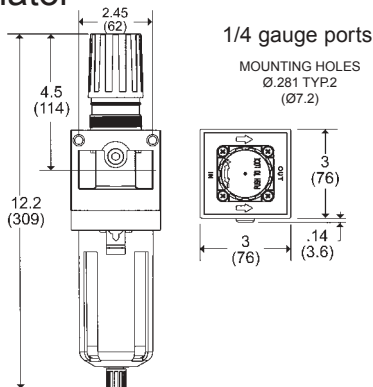
22 Series Coalescer/Regulator



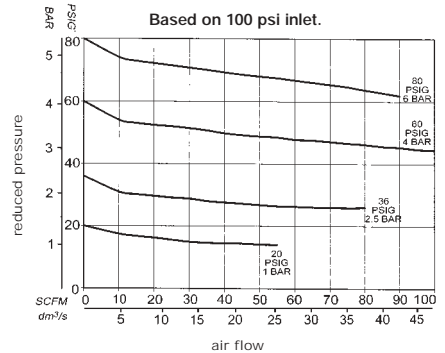
C22D-04 (0.3 micron coalescing)



32 Series Coalescer/Regulator



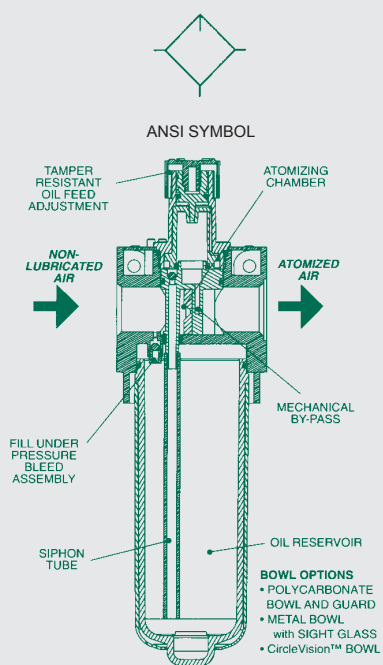
C32D-06 (0.3 micron coalescing)



42 Series Coalescer/Regulator – Coming in 2004



Numatics *FLEXIBLOK*® FRL Series



Lubricator

L14L, L22L, L32L Series

- Three convenient sizes
- Lubrication to begin at 2 SCFM
- Can be filled under pressure (22 and 32 series only)
- Tamper-resistant knob standard
- Optional CircleVision™ sight bowl
- Optional metal bowl with sight glass
- Can be mounted as individual or modular unit
- Button head fill optional on all sizes
- Atomizing chamber develops longer life aerosols

Specifications

	14 SERIES	22 SERIES	32 SERIES
Temperature Range (°F)	40-120	40-120	40-120
Temperature Range (°C)	4-50	4-50	4-50
Max. Pressure (PSIG)	200	200	200
Max. Pressure (BAR)	14	14	14
Weight (lbs.)	0.60	0.69	1.37
Weight (kg)	0.27	0.31	0.62
Body Material	Zinc	Aluminum	Aluminum

How to Order

L 22 L - 02 CF

<p>Model L = Lubricator</p> <p>Series 14 = 1.5 oz Bowl 22 = 3.8 oz Bowl 32 = 8.5 oz Bowl</p> <p>Style L = Standard Lubricators</p> <p>Threads - = NPTF G = G Tap (BSPP) R = PT (BSPT)</p>	<p>Options C = CircleVision™ Sight Bowl (22 and 32 series) F = Button Head Fill K = Drain on Bowl M = Metal Bowl with Sight Glass</p> <p>Port Size 01 = 1/8 (14 series only) 02 = 1/4 (14 or 22 series only) 03 = 3/8 (22 series only) 04 = 1/2 (22 or 32 series only) 06 = 3/4 (32 series only)</p>
---	--

NOTE: F and K options cannot be used together.

NEED MORE PARTS AND INFORMATION?

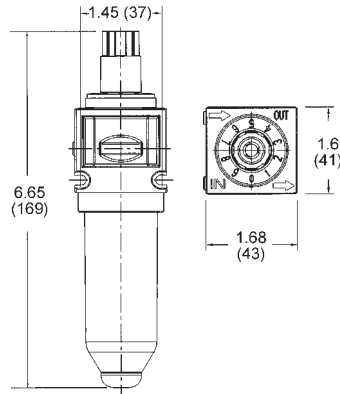
- See page 35 for information on ordering replacement parts.



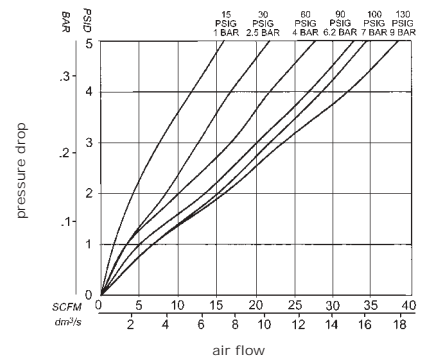
Numatics *FLEXIBLOK*® FRL Series



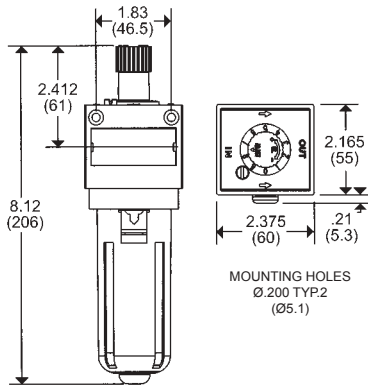
14 Series Lubricator



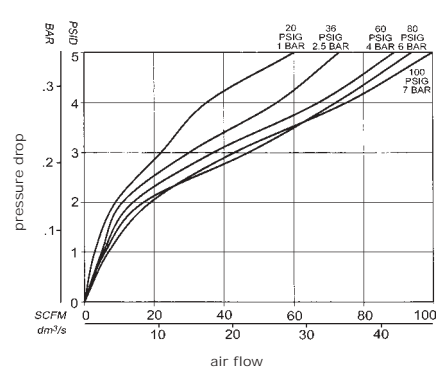
L14L-02 (14 Series Lubricator)



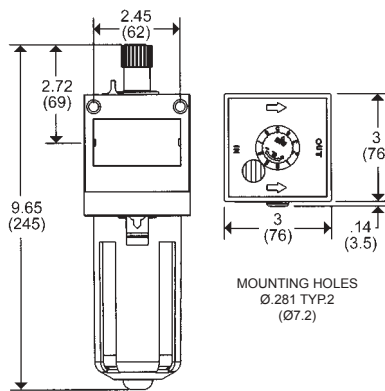
22 Series Lubricator



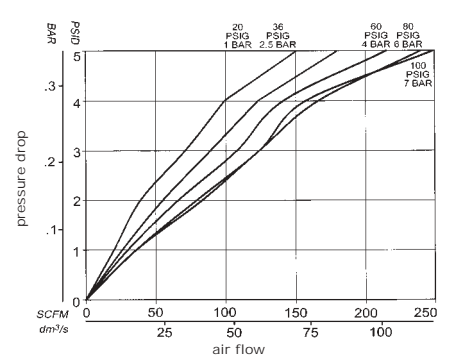
L22L-04 (22 Series Lubricator)



32 Series Lubricator



L32L-06 (32 Series Lubricator)



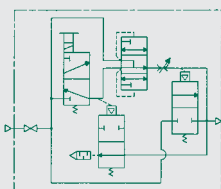
42 Series Lubricator – Coming in 2004



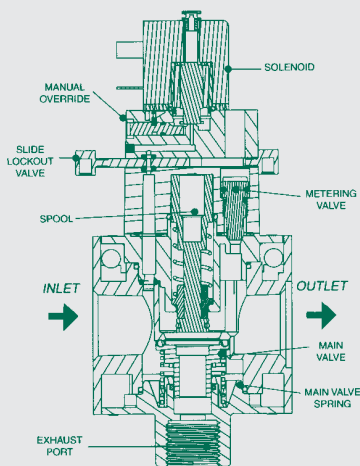
Numatics *FLEXIBLOK*® FRL Series

Solenoid Soft Start Quick Exhaust Valve S22C, S32C Series

- Two convenient sizes
- Lockout feature prevents unauthorized pressurization of system
- High exhaust capacity for quick depletion of pressure
- High inlet to outlet flow capability
- Connects easily to *FLEXIBLOK*® Modular system
- Incorporated metering valve controls how quickly downstream pressure is reached, which controls the slow start feature



ANSI SYMBOL



Specifications

22 Series Exhaust Ports (NPTF)	1/2
32 Series Exhaust Ports (NPTF)	1/2
22 Series Gauge Ports (NPTF)	1/8
32 Series Gauge Ports (NPTF)	1/4
Temperature Range (°F)	40-120
Temperature Range (°C)	4-50
Min. Pressure (PSI)	60
Min. Pressure (BAR)	4
Max. Pressure (PSI)	150
Max. Pressure (BAR)	10
22 Series Weight, ilb. (kg.)	0.94 (0.43)
32 Series Weight, lbs. (kg.)	1.56 (0.71)

Cv in-out/out-exh (22 Series, 1/4)	2 / 1.2
Cv in-out/out-exh (22 Series, 3/8)	2.87 / 1.38
Cv in-out/out-exh (22 Series, 1/2)	3.62 / 1.32
Cv in-out/out-exh (32 Series, 1/2)	5.24 / 3.01
Cv in-out/out-exh (32 Series, 3/4)	6.47 / 3.14
Body Material	Aluminum

Wattage and Amperage

110V AC	1.42 watts / 0.022 amps
230V AC	2.00 watts / 0.016 amps
24V AC	2.00 watts / 0.011 amps
24V DC	2.00 watts / 0.080 amps

How to Order

S 32 C - 06 BFGLM

Model

S = Solenoid Soft Start

Series

22
32

Style

C = Standard Solenoid Soft Start

Threads

- = NPTF
G = G Tap (BSPP)
R = PT (BSPT)

Options

B = Revision Level
E = 110V AC 50/60 Hz
F = 230V AC 50/60 Hz
G = Gauge
J = 24V AC 50/60 Hz Coil
K = 24V DC Coil
L = Plug with Light
M = Muffler
N = No manual Override
P = Black Plug Assembly
Q = 4 Pin Micro Connector
X = No Slide

Port Size

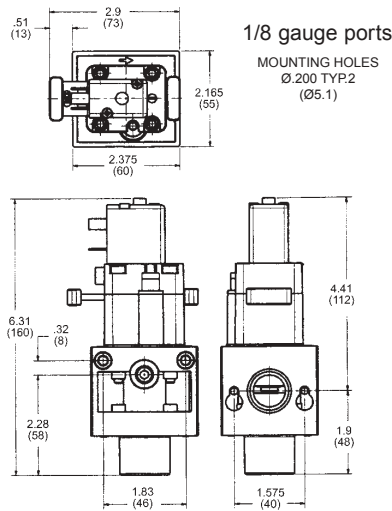
02 = 1/4 (22 Series Only)
03 = 3/8 (22 Series Only)
04 = 1/2 (22 or 32 Series)
06 = 3/4 (32 Series Only)

NEED MORE PARTS AND INFORMATION?

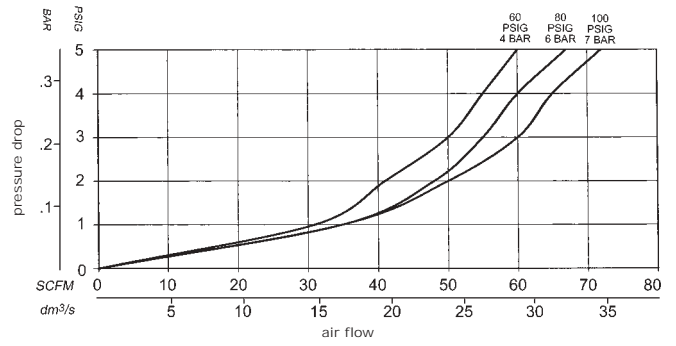
- See page 35 for information on ordering replacement parts.



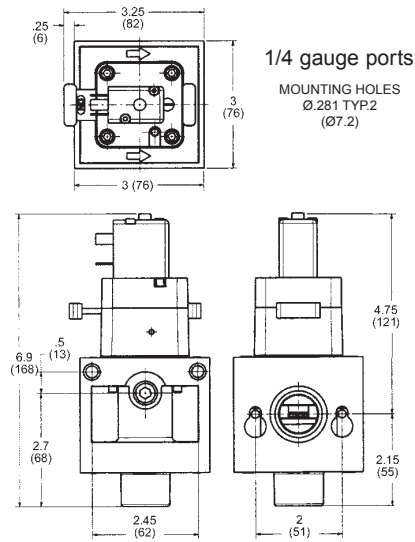
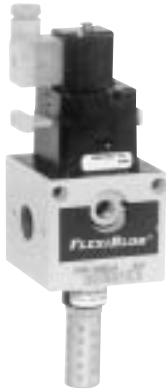
22 Series Solenoid Soft Start



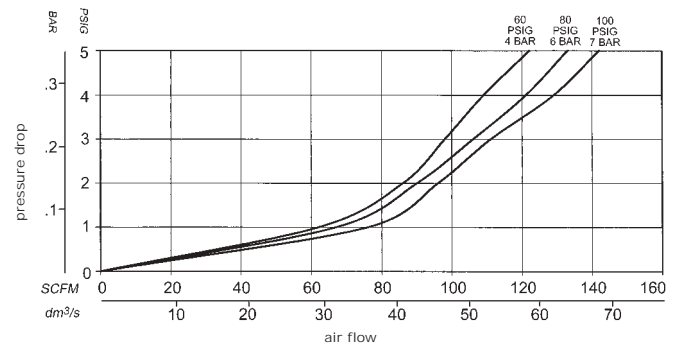
S22C-04B (22 Series Solenoid Soft Start Quick Exhaust Valve)



32 Series Solenoid Soft Start



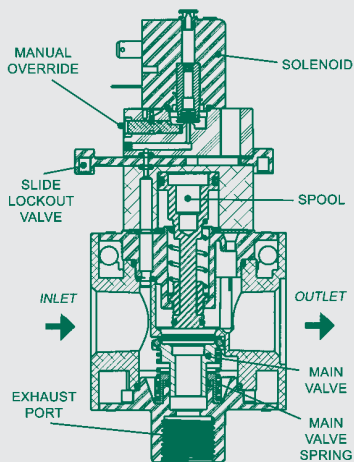
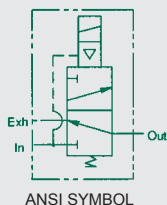
S32C-06B (32 Series Solenoid Soft Start Quick Exhaust Valve)



42 Series Solenoid Soft Start – Coming in 2004



Numatics *FLEXIBLOK*® FRL Series



Solenoid Quick Exhaust Valve

S14E, S22E, S32E Series

- Three convenient sizes
- Lockout feature (located in slide valve) prevents unauthorized pressurization of system (22 and 32 Series)
- Standard manual override (or with no manual override option)
- Low-wattage coil prevents high-temperatures
- High exhaust capacity for quick depletion of pressure
- High inlet to outlet flow capability
- Connects easily to *FLEXIBLOK*® Modular system

Specifications

	14 SERIES	22 SERIES	32 SERIES
Exhaust Ports (NPTF)	1/8	1/2	1/2
Gauge Ports (NPTF)	10-32 UNF	1/8	1/4
Temperature Range (°F)	40-120	40-120	40-120
Temperature Range (°C)	4-50	4-50	4-50
Min. Pressure (PSI)	40	40	40
Min. Pressure (BAR)	2.76	2.76	2.76
Max. Pressure (PSI)	150	150	150
Max. Pressure (BAR)	10	10	10
Weight, lbs. (kg.)	1.25 (0.57)	1.15 (0.53)	1.75 (0.79)

Wattage and Amperage

110V AC	1.42 watts / 0.022 amps
230V AC	2.00 watts / 0.016 amps
24V AC	2.00 watts / 0.011 amps
24V AC	2.00 watts / 0.080 amps

Cv in-out/out-exh (14 Series, 1/8)	1.15 / 1.10
Cv in-out/out-exh (14 Series, 1/4)	1.55 / 1.10
Cv in-out/out-exh (22 Series, 1/4)	2 / 1.2
Cv in-out/out-exh (22 Series, 3/8)	2.87 / 1.38
Cv in-out/out-exh (22 Series, 1/2)	3.62 / 1.32
Cv in-out/out-exh (32 Series, 1/2)	5.24 / 3.01
Cv in-out/out-exh (32 Series, 3/4)	6.47 / 3.14
Body Material	Aluminum

How to Order

S 32 E - 04 BFGLM

Model

S = Solenoid Quick Exhaust

Series

14
22
32

Style

E = Standard Solenoid Quick Exhaust Valve

Threads

- = NPTF
G = G Tap (BSPP)
R = PT (BSPT)

Options

B = Revision Level
E = 110V AC 50/60 Hz
F = 230V AC 50/60 Hz
G = Gauge
J = 24V AC 50/60 Hz Coil
K = 24V DC Coil
L = Plug with Light
M = Muffler
N = No manual Override
P = Standard Black Plug Assembly
Q = 4 Pin Micro Connector
X = No Slide

Port Size

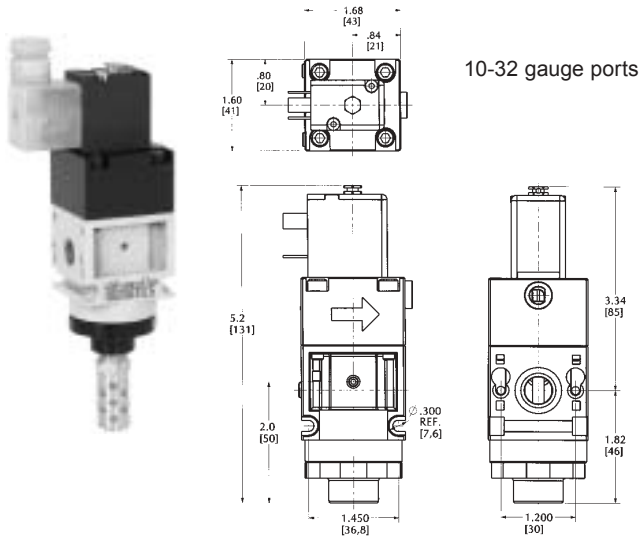
01 = 1/8 (14 Series Only)
02 = 1/4 (14 or 22 Series)
03 = 3/8 (22 Series Only)
04 = 1/2 (22 or 32 Series)
06 = 3/4 (32 Series Only)

NEED MORE PARTS AND INFORMATION?

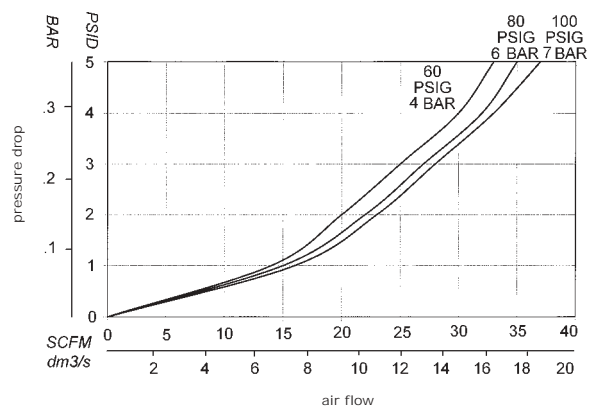
- See page 35 for information on ordering replacement parts.



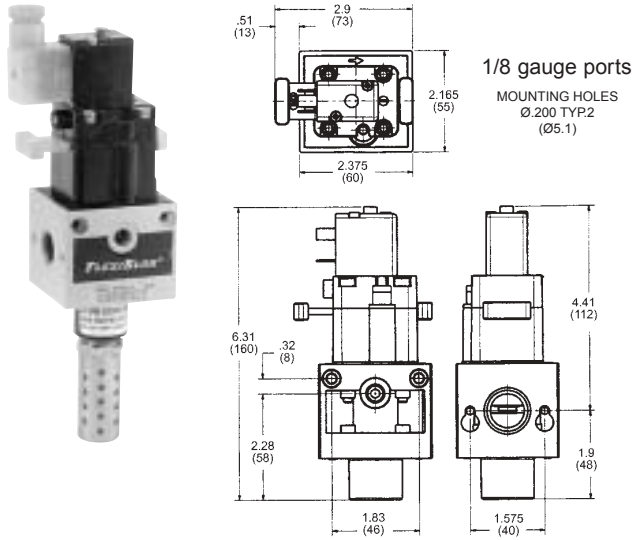
14 Series Solenoid Quick Exhaust



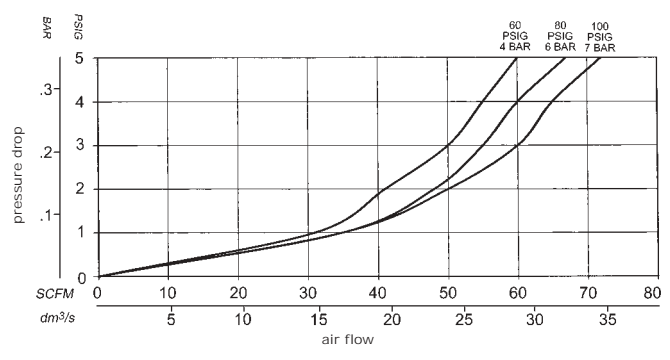
S14E-04B (14 Series Solenoid Quick Exhaust Valve)



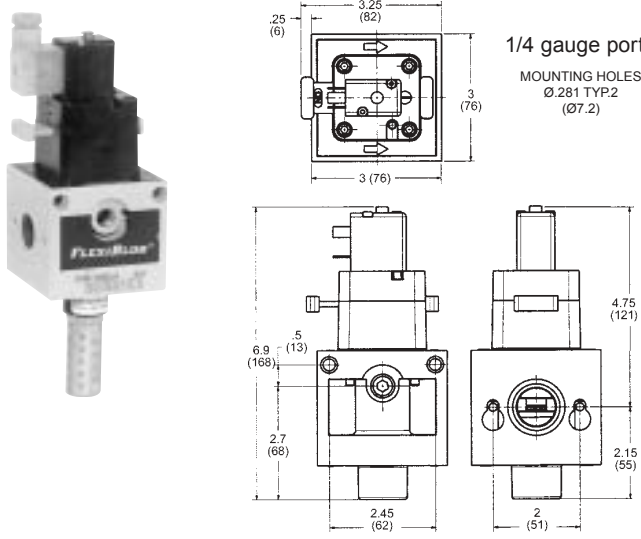
22 Series Solenoid Quick Exhaust



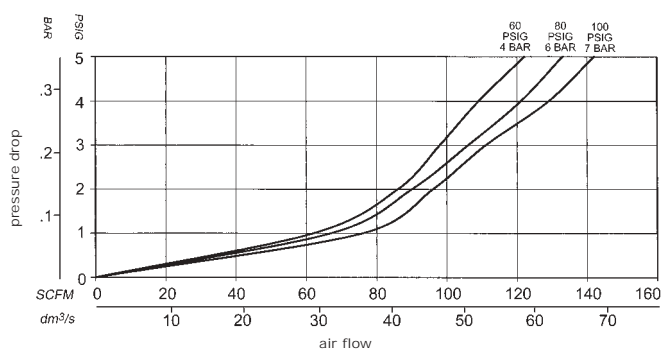
S22E-04B (22 Series Solenoid Quick Exhaust Valve)



32 Series Solenoid Quick Exhaust

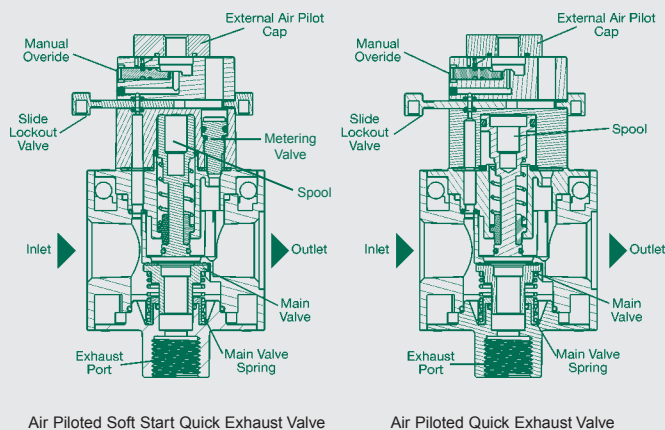
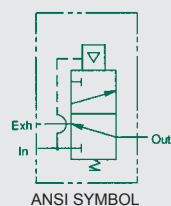


S32E-06B (32 Series Solenoid Quick Exhaust Valve)





Numatics *FLEXIBLOK*® FRL Series



Internally/Externally Piloted Quick Exhaust Valve

S14, S22, S32 Series

- Three convenient sizes
- Lockout feature (located in slide valve) prevents unauthorized pressurization of system (22 and 32 Series)
- Standard manual override (or with no manual override option)
- High exhaust capacity for quick depletion of pressure
- High inlet to outlet flow capability
- Connects easily to *FLEXIBLOK*® Modular system

Specifications

	14 SERIES	22 SERIES	32 SERIES
Exhaust Ports (NPTF)	1/4	1/2	1/2
Gauge Ports (NPTF)	10-32 UNF	1/8	1/4
Temperature Range (°F)	40-120	40-120	40-120
Temperature Range (°C)	4-50	4-50	4-50
Min. Pressure (PSI)	40	40	40
Min. Pressure (BAR)	2.45	2.45	2.45
Max. Pressure (PSI)	150	150	150
Max. Pressure (BAR)	10	10	10
Weight, lb. (kg.)	1.25 (0.57)	1.25 (0.57)	1.25 (0.57)
Body Material	Zinc	Aluminum	Aluminum

Cv in-out/out-exh (14 Series)	1.55 / 1.10
Cv in-out/out-exh (22 Series)	3.62 / 1.30
Cv in-out/out-exh (32 Series)	6.47 / 3.14

How to Order

S 22 E - 04 BGMW

Model

S = Solenoid Quick Exhaust Valve

Series

14
22
32

Style

C = Soft Start Quick Exhaust Valve (External Pilot)
E = Quick Exhaust Valve (External Pilot)
P = Internal Pilot Soft Start Quick Exhaust Valve

Threads

- = NPTF
G = G Tap (BSPP)
R = PT (BSPT)

Options

B = Revision Level
G = Gauge
M = Muffler
N = No Manual Override
Q = 4 Pin Micro Connector
W = External Air Pilot
X = No Slide on Valve

Port Size

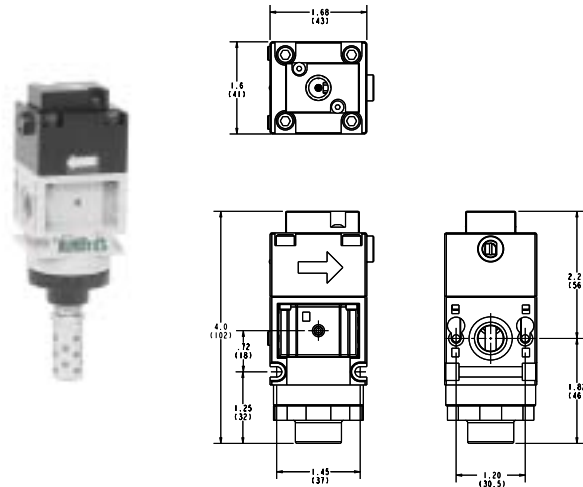
01 = 1/8 (14 Series Only)
02 = 1/4 (14 or 22 Series)
03 = 3/8 (22 Series Only)
04 = 1/2 (22 or 32 Series)
06 = 3/4 (32 Series Only)

NEED MORE PARTS AND INFORMATION?

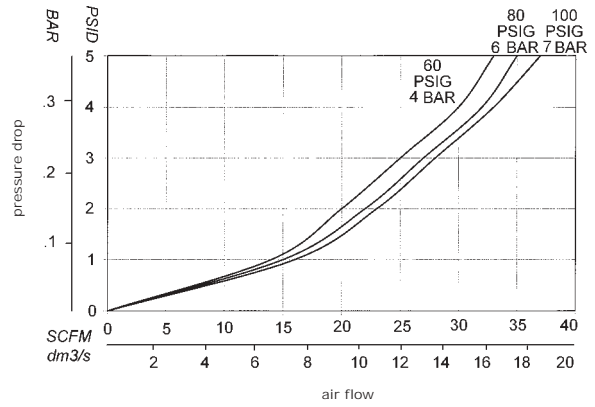
- See page 35 for information on ordering replacement parts.



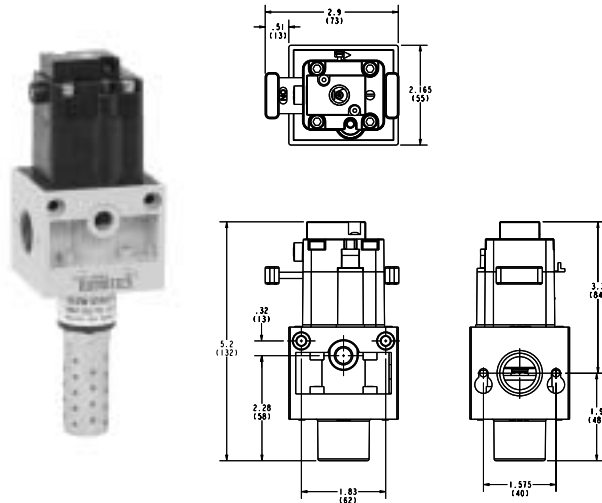
14 Series Internally/Externally Piloted Quick Exhaust Valve



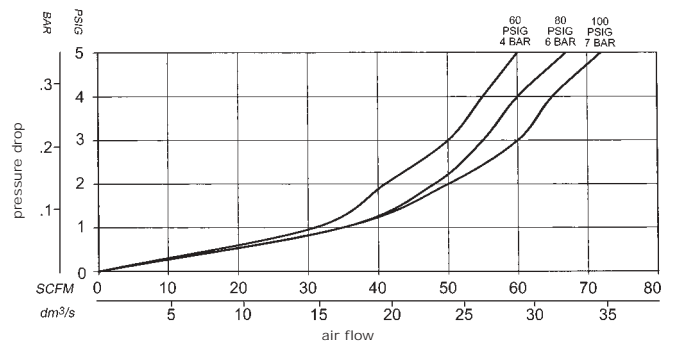
S14E-04B (14 Series Solenoid Quick Exhaust Valve)



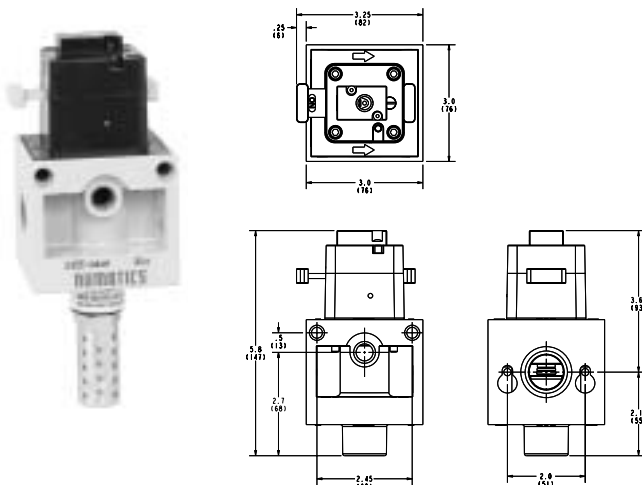
22 Series Internally/Externally Piloted Quick Exhaust Valve



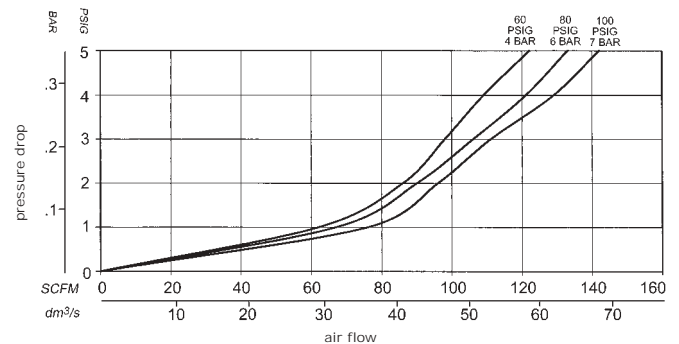
S22C-04B (22 Series Solenoid Soft Start Quick Exhaust Valve)



32 Series Internally/Externally Piloted Quick Exhaust Valve



S32C-06B (32 Series Solenoid Soft Start Quick Exhaust Valve)





Numatics *FLEXIBLOK*® FRL Series

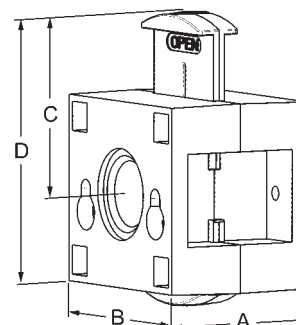
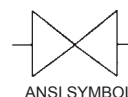
Shut-Off Valve

VS14, VS22, VS32 Series

The *FLEXIBLOK*® Shut-Off Valve is an easy and inexpensive way to add shut off capability to an FRL. The valve includes a lockout feature designed for a padlock to prevent unauthorized downstream pressurization during a maintenance. The shut off valve is usually mounted first in the assembly.

Max. inlet pressure: 200 PSI (13.7 bar)

- Relieves downstream pressure when closed
- Lockout feature prevents unauthorized pressurization of system
- Easy modular connection
- Can be used as individual component



	MODEL #S			DIMENSIONS				PORTS
	NPTF	BSPP	BSPT	A	B	C	D	
14	VS14-01	VS14G01	VS14R01	1.63 (41)	1.6 (41)	1.6 (41)	3 (76)	1/8
	VS14-02	VS14G02	VS14R02	1.63 (41)	1.6 (41)	1.6 (41)	3 (76)	1/4
22	VS22-02	VS22G02	VS22R02	2.0 (50)	2.16 (55)	1.86 (47)	3.1 (79)	1/4
	VS22-03	VS22G03	VS22R03	2.0 (50)	2.16 (55)	1.86 (47)	3.1 (79)	3/8
	VS22-04	VS22G04	VS22R04	2.0 (50)	2.16 (55)	1.86 (47)	3.1 (79)	1/2
32	VS32-04	VS32G04	VS32R04	2.25 (57)	3.0 (76)	2.57 (65)	4.2 (107)	1/2
	VS32-06	VS32G06	VS32R06	2.25 (57)	3.0 (76)	2.57 (65)	4.2 (107)	3/4

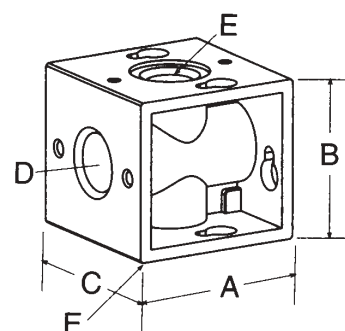
NOTE: Add "N" to end of model number for non-relieving model (i.e. VS14-01N)

Diverter Block

DK14, DK22, DK32 Series

Designed to give *FLEXIBLOK*® components total versatility, the diverter block mounts directly inline with the FRL combination. Additional components can then be manifold mounted in a compact manner that doesn't cause excessive pressure drop. There are two available ports per unit; both are tapped for standard service.

Max. inlet pressure: 200 PSI (13.7 bar)



SERIES	MODEL #			DIMENSIONS					PORTS
	NPTF	BSPP	BSPT	A	B	C	D	E	
14	DK14-02	DK14G02	DK14R02	1.72 (44)	1.54 (39)	1.6 (41)	1/4	1/8	Tapped 1/4 NPTF In & Out with two 1/8 NPTF branches
22	DK22-03	DK22G03	DK22R03	2.165 (55)	2.00 (50)	2.165 (55)	1/2	3/8	Tapped 1/2 NPTF in & out with two 3/8 NPTF branches
32	DK32-04	DK32G04	DK32R04	3.00 (76)	2.70 (69)	3.00 (76)	3/4	1/2	Tapped 3/4 NPTF in & out with two 1/2 NPTF branches

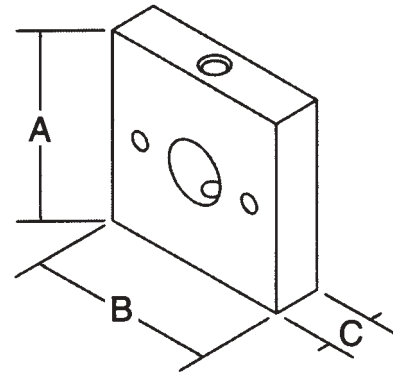


Diverter Plates

HK14, HK22, HK32 Series

Diverter plates are designed to provide air signals in a compact space. Used individually or in combination, they can be used with gauges or switches to determine a pressure or Δ pressure signal.

Max. inlet pressure: 200 PSI (13.7 bar)



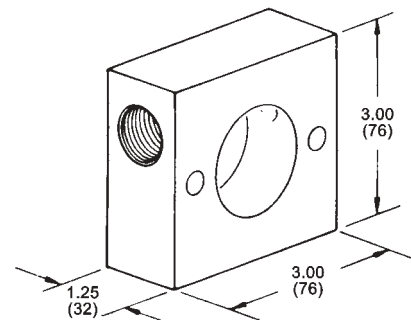
SERIES	MODEL #			DIMENSIONS			OUTLET PORT	APPLICATION
	NPTF	BSPP	BSPT	A	B	C		
14	HK14-01	HK14G01	HK14R01	1.54 (39)	1.50 (38)	.75 (19)	1/8	Mounts between two units
22	HK22-01	HK22G01	HK22R01	2.00 (51)	2.15 (55)	.75 (19)	1/8	Mounts between two units
32	HK32-01	HK32G01	HK32R01	3.00 (76)	3.00 (76)	.75 (19)	1/8	Mounts between two units

Rear-Ported End Plates

MR32 Series

Available only in the 32 Series, the Rear-Ported End Plate allows an FRL to be mounted flush with a surface and the piping to exit the rear of the combination.

Max. inlet pressure: 200 PSI (13.7 bar)



SERIES	MODEL NUMBER	STYLE	NPTF	DESCRIPTION
32	MR32A	A	1/2	Left rear porting
32	MR32B	B	1/2	Right side rear porting
32	MR32AB	A/B	1/2	Both rear ported plates



Numatics *FLEXIBLOK*® FRL Series

Drain Options

Automatic Float Drain - 'A' Option



The Auto Float Drain is installed into the bottom of the filter bowl. As the liquid level inside the bowl increases, the tire-like float lifts, allowing the liquid to drain. This drain should not be used in applications exceeding 175 PSI.

MODEL FOR SERIES

AKF00 22,32 Series
Autodrain only

AKF02 22,32 Series
(inc. drain,
bushing,o-ring)

Flexible Drain - 'B' Option



The Flexible Drain is as easy to use as pushing the stem to one side and allowing contents to expel. A popular option due to low cost and ease of use. This drain should not be used in applications exceeding 125 PSI.

Model For Series

BKF02 14,22,32 Series
(inc. flexible
rubber exterior
and inner stem)

External Pulse Drain - 'J' Option



The External Pulse Drain is designed for use in the 12 Series bowl but also works with the 22 and 32 Series. This inexpensive and reliable drain features an incorporated barbed fitting which fits 3/16 ID tubing for easy drainage of liquid and contaminant.

MODEL FOR SERIES

JKF02 14,22,32 Series
(includes bushing
kit)

IDF-01 drain only

Metal Manual Drain - 'Q' Option



The Metal Manual Drain is a newer drain option for the *FLEXIBLOK*® line. Simply turn the drain counter-clockwise to expel bowl contents. Standard on 50, 70, and 600 Series.

Model For Series

QKF02 14,22,32 Series
(inc. drain,
retaining clip,
bushing,o-ring)

Manual Lever Drain - 'R' Option



The Manual Lever Drain allows for convenience and ease of use. Press down on the white lever to manually drain bowl contents. Available for all *FLEXIBLOK*® filters.

MODEL FOR SERIES

RKF02 14,22,32 Series
Filters (inc. drain,
bushing, clip,
o-ring)



Numatics FLEXIBLOK® FRL Series



FLEXIBLOK® Coalescing Filter

> Element Replacement Kits

Filter/Regulators

includes filter element only

kit #	description
14 SERIES	
EKF12C	14 Series, 0.7 micron element
EKF12CD	14 Series, 0.7 micron element with prefilter
EKF12D	14 Series, 0.3 micron element
EKF12DD	14 Series, 0.3 micron element with prefilter
EKF12E	14 Series, 0.1 micron element
EKF12ED	14 Series, 0.1 micron element with prefilter
EKF12F	14 Series, adsorbing element
22 SERIES	
EKF22C	22 Series, 0.7 micron element
EKF22CD	22 Series, 0.7 micron element with prefilter
EKF22D	22 Series, 0.3 micron element
EKF22DD	22 Series, 0.3 micron element with prefilter
EKF22E	22 Series, 0.1 micron element
EKF22ED	22 Series, 0.1 micron element with prefilter
EKF22F	22 Series, adsorbing element
32 SERIES	
EKF32C	32 Series, 0.7 micron element
EKF32CD	32 Series, 0.7 micron element with prefilter
EKF32D	32 Series, 0.3 micron element
EKF32DD	32 Series, 0.3 micron element with prefilter
EKF32E	32 Series, 0.1 micron element
EKF32ED	32 Series, 0.1 micron element with prefilter
EKF32F	32 Series, adsorbing element

> Bowl Replacement Kits

Filter/Regulators

includes bowl and o-ring

kit #	description
14 SERIES	
BKF12	14 Series, polycarbonate bowl
BKF12M	14 Series, metal bowl
22 SERIES	
BKF22	22 Series, polycarbonate bowl
BKF22C	22 Series, CircleVision™ bowl
BKF22M	22 Series, metal bowl
32 SERIES	
BKF32	32 Series, polycarbonate bowl
BKF32C	32 Series, CircleVision™ bowl
BKF32M	32 Series, metal bowl

To order the bowl replacement kit with a drain, specify the drain suffix in the kit number (keeping suffixes in alphabetical order). For example, to order an external pulse drain with a BKF12 kit, order as BKF12JM. To order an external pulse drain with a BKF12M kit, order as BKF12JM. Drain suffixes are as follows: B=flexible drain, J=external pulse drain, Q=metal manual drain, R>manual lever drain. See page 34 for additional drain option information.

> Bowl Replacement Kits

Lubricated

includes bowl and o-ring

kit #	description
BKL12	14 Series, polycarbonate bowl
BKL12M	14 Series, metal bowl
BKL22	22 Series, polycarbonate bowl
BKL22C	22 Series, CircleVision™ bowl
BKL22M	22 Series, metal bowl
BKL32	32 Series, polycarbonate bowl
BKL32C	32 Series, CircleVision™ bowl
BKL32M	32 Series, metal bowl

To order the bowl replacement kit with a drain or buttonhead fill, specify the appropriate suffix in the kit number (keeping suffixes in alphabetical order). For example, to order a drain

with a BKL12 kit, order as BKF12K. To order a buttonhead fill with a BKL22M kit, order as BKL22FM. Drain suffixes are as follows: F=buttonhead fill, K=drain.

> Replacement Drain Kits

kit #	description
AKF02	auto float drain kit (inc. drain, bushing, clip, o-ring)
BKF02	flexible drain (includes drain ass'y)
DKF02	standard drain (inc. drain ass'y)
QKF02	metal manual drain (inc. drain, bushing, clip, o-ring)
JKF02	external pulse drain (inc. drain, bushing, clip, o-ring)
RKF02	manual lever drain (inc. drain, bushing, clip, o-ring)

FLEXIBLOK® Particulate Filter

> Element Replacement Kits

Filter/Regulators

includes filter element only

kit #	description
EKF12B	14 Series, 5 micron element
EKF22B	22 Series, 5 micron element
EKF32B	32 Series, 5 micron element

> Filter Repair Kits

includes Turbo-Flo, element retainer, quiet zone baffle, deflector retainer

kit #	description
RKF12B	14 Series, 5 micron element
RKF22B	22 Series, 5 micron element
RKF32B	32 Series, 5 micron element

FLEXIBLOK® Coalescing Filter

> DPI Replacement Kits

includes DPI assembly

kit #	description
PAR14-23	14 Series DPI replacement kit
PAR22-23	22 Series DPI replacement kit
PAR32-23	32 Series DPI replacement kit

FLEXIBLOK® Regulator

> Regulator Repair Kits

Filter/Regulators

includes bonnet and adjustment knob

kit #	description
RKC14	14 Series, cage kit
RKC22	22 Series, cage kit
RKC32	32 Series, cage kit

> Diaphragm Repair Kits

includes diaphragm and inner valve

kit #	description
RKR12R	14 Series, relieving kit
RKR22R	22 Series, relieving kit
RKR32R	32 Series, relieving kit
RKR12N	14 Series, non-relieving kit
RKR22N	22 Series, non-relieving kit
RKR32N	32 Series, non-relieving kit

> Piston Repair Kits

includes piston, U-cup seal, relief seal

kit #	description
PKR14R	14 Series, relieving kit
PKR22R	22 Series, relieving kit
PKR32R	32 Series, relieving kit
PKR14N	14 Series, non-relieving kit
PKR22N	22 Series, non-relieving kit
PKR32N	32 Series, non-relieving kit

> Replacement Adjustment Knob Kits

includes adjustment knob only

kit #	description
R12-03	14 Series, adjustment knob
R22-03	22 Series, adjustment knob
R32-03	32 Series, adjustment knob

FLEXIBLOK® Pilot Operated Regulator

> Diaphragm Repair Kits

includes relieving diaphragm, non-relieving diaphragm, inner valve

kit #	description
RKW22	22 Series, pilot operated regulator repair kit
RKW32	32 Series, pilot operated regulator repair kit

FLEXIBLOK® Lubricator

> Lubricator Dome Repair Kits

includes adjustment knob and adjustment assembly

kit #	description
RKL12T	14 Series, lub. dome repair kit or 22 Series, lub. dome repair kit or 32 Series, lub. dome repair kit

> Replacement Adjustment Knob Kits

includes adjustment knob only

kit #	description
L32-06	14 Series, adjustment knob or 22 Series, adjustment knob or 32 Series, adjustment knob

FLEXIBLOK® Shut-Off Valve

> Shut-Off Valve Repair Kits

includes slide and 2 o-rings

kit #	description
RKSV14	14 Series, shut-off valve repair kit
RKSV22	22 Series, shut-off valve repair kit
RKSV32	32 Series, shut-off valve repair kit

> Mounting Brackets

includes bracket and panel nut

kit #	description
PK12	14 Series mounting bracket
PK22	22 Series mounting bracket
PK32	32 Series mounting bracket

FLEXIBLOK® Sol. Soft Start Quick Exhaust

> Solenoid Replacement Kits

includes coil only (fits 22 or 32 Series)

NOTE: Numatics FRL does not recommend the disassembly of a solenoid soft start unit outside of our factory.

kit #	description
S32-44	110V (22 or 32 Series)
S32-45	230V (22 or 32 Series)
S32-46	24V AC (22 or 32 Series)
S32-43	24V DC (22 or 32 Series)

FLEXIBLOK® Screws & O-Rings

> Screw & O-Ring Replacement Kits

kit #	description
KG14	14 Series, inc. 2 screws, 1 o-ring (M4 x 12mm)
KGB14	14 Series bulk pack, inc. 100 screws, 50 o-rings (M4 x 12mm)
KG22	22 Series, inc. 2 screws, 1 o-ring (M5 x 12mm)
KGB22	22 Series bulk pack, inc. 100 screws, 50 o-rings (M5 x 12mm)
KG32	32 Series, inc. 2 screws, 1 o-ring (M6 x 16mm)
KGB32	32 Series bulk pack, inc. 100 screws, 50 o-rings (M6 x 16mm)

numatics®



World Class Supplier of Pneumatic Components



World Headquarters

Numatics Incorporated

Phone: 248-887-4111

Fax: 248-887-9190

Numatics – Air Preparation

Phone: 810-667-3900

Fax: 810-667-3902

Numatics – Valves

Phone: 248-887-4111

Fax: 248-887-9190

Numatics – Miniature Valves

Phone: 248-960-1400

Fax: 248-960-2160

Numatics – Cylinders

Phone: 615-771-1200

Fax: 615-771-1201

Numatics – Rodless Cylinders

Phone: 519-452-1777

Fax: 519-452-3995

Numatics – Automation

Phone: 440-934-3200

Fax: 440-934-2288

CANADA

Ontario

Numatics, Ltd.

Phone: 519-452-1777

Fax: 519-452-3995

Quebec

Numatics, Ltd.

Phone: 514-332-6444

Fax: 514-332-9273

British Columbia

Numatics, Ltd.

Phone: 604-574-0401

Fax: 604-574-3713

EUROPE

Germany – European Headquarters

Numatics GmbH

Phone: 011-49-22 41-31 60-0

Fax: 011-49-22 41-31 60 40

Hungary

Numatics Kft.

Phone: 011-36-13 82 21 35

Fax: 011-36-12 04 39 47

England

Numatics Limited

Phone: 011-44-1525-37 07 35

Fax: 011-44-1525-38 25 67

France

Numatics s.a.r.l.

Phone: 011-33-1 41 21 48 88

Fax: 011-33-1 41 21 48 89

Italy

Numatics srl

Phone: 011-39-030-373 19 99

Fax: 011-39-030-373 19 81

Netherlands

Numatics B.V.

Phone: 011-31-418-65 29 50

Fax: 011-31-418-65 29 43

Spain

Numatics Spain S.L.

Phone: 011-34-93-221 21 96

Fax: 011-34-93-221 35 14

AFRICA

South Africa

Numatics SA (Pty) Ltd.

Phone: 011-27-11-8 65 44 52

Fax: 011-27-11-8 65 42 90

LATIN & SOUTH AMERICA

Mexico

Numatics de Mexico S.A. de C.V.

Phone: 011-52-222-284 6176

Fax: 011-52-222-284 6179

Brazil

Valvair Comercial Ltda.

Phone: 011-55-12-351 2874

Fax: 011-55-12-351 1958

ASIA & PACIFIC

Australia

Numatics Australia Pty. Ltd.

Phone: 011-61-3-95 63 86 00

Fax: 011-61-3-95 63 85 11

Taiwan – Asian Headquarters

Numatics Co, Ltd. Asia

Phone: 011-886-2-29 15 16 05

Fax: 011-886-2-29 14 18 97

For a comprehensive listing of all Numatics production and distribution facilities worldwide, visit www.numatics.com