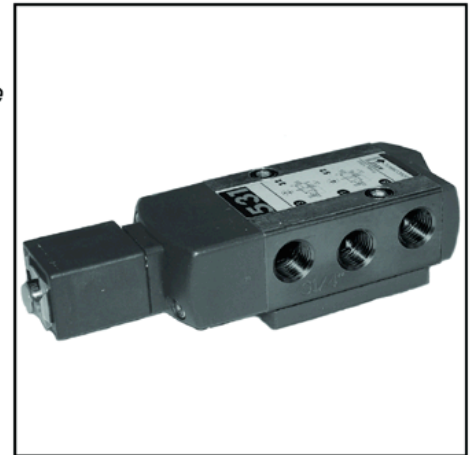


### FEATURES

- The solenoid operated spool valves have threaded port connections and NAMUR interface
- The same spool valve can be adapted for 3/2 NC or 5/2 functions for controlling double-acting and single-acting actuators
- All the exhaust ports of this spool valve are pipeable, providing better environmental protection, particularly recommended for sensitive areas such as clean rooms and applications in the pharmaceutical and food processing sectors
- It is necessary to connect pipes or fittings to the exhaust ports to protect the internal parts of the spool valve and its pneumatic operator if used outside or in harsh environments (dust, liquids etc.)
- The return-spring chambers of the single-acting operators "breathe" thru the spool valve isolating them from the outside atmosphere
- Manual operators is standard



### GENERAL SPECIFICATIONS

flow (Qv at 6 bar)	pipe size	orifice size	flow coefficient Kv	operating pressure differential (bar)		fluids (*)	sealings (*)
				min.	maximum (PS) ~ / =		
1100 l/min (ANR)	1/4	6	16	2	10	air, inert gas, filtered	NBR (nitrile) + PUR (polyurethane)

### MATERIALS IN CONTACT WITH FLUID

(-) Ensure that the compatibility of the fluids in contact with the materials is verified

Body	Aluminium
End covers + interface plates	Glass-filled polyamide (PA/FG)
Internal parts	Zamak, stainless steel, acetal (POM), aluminium
Sealing	NBR + PUR
Core and core tube	Stainless steel
Shading coil	Copper

### ELECTRICAL CHARACTERISTICS

Coil insulation class	F
Coil	Thermoplastic
Spade plug connection coil	3 x DIN 46244
Connector	Type 22, spade plug
Standard voltages	DC (=):24V AC (~):24V - 110V - 230V / 50 Hz

### COIL SPECIFICATIONS

coil type	power ratings				ambient temperature range (TS)	protection
	inrush ~	holding ~		hot/cold =		
	(VA)	(VA)	(W)	(W)	(°C)	
CM22-2,5W	6	3,5	2,5	2,5 / 3	-10 to +60	moulded IP65

### ORDERING INFORMATION

Single solenoid pilot operated - spring return (monostable)	<b>SCG531B001MS</b>
Dual solenoid pilot operated	<b>SCG531B002MS</b>

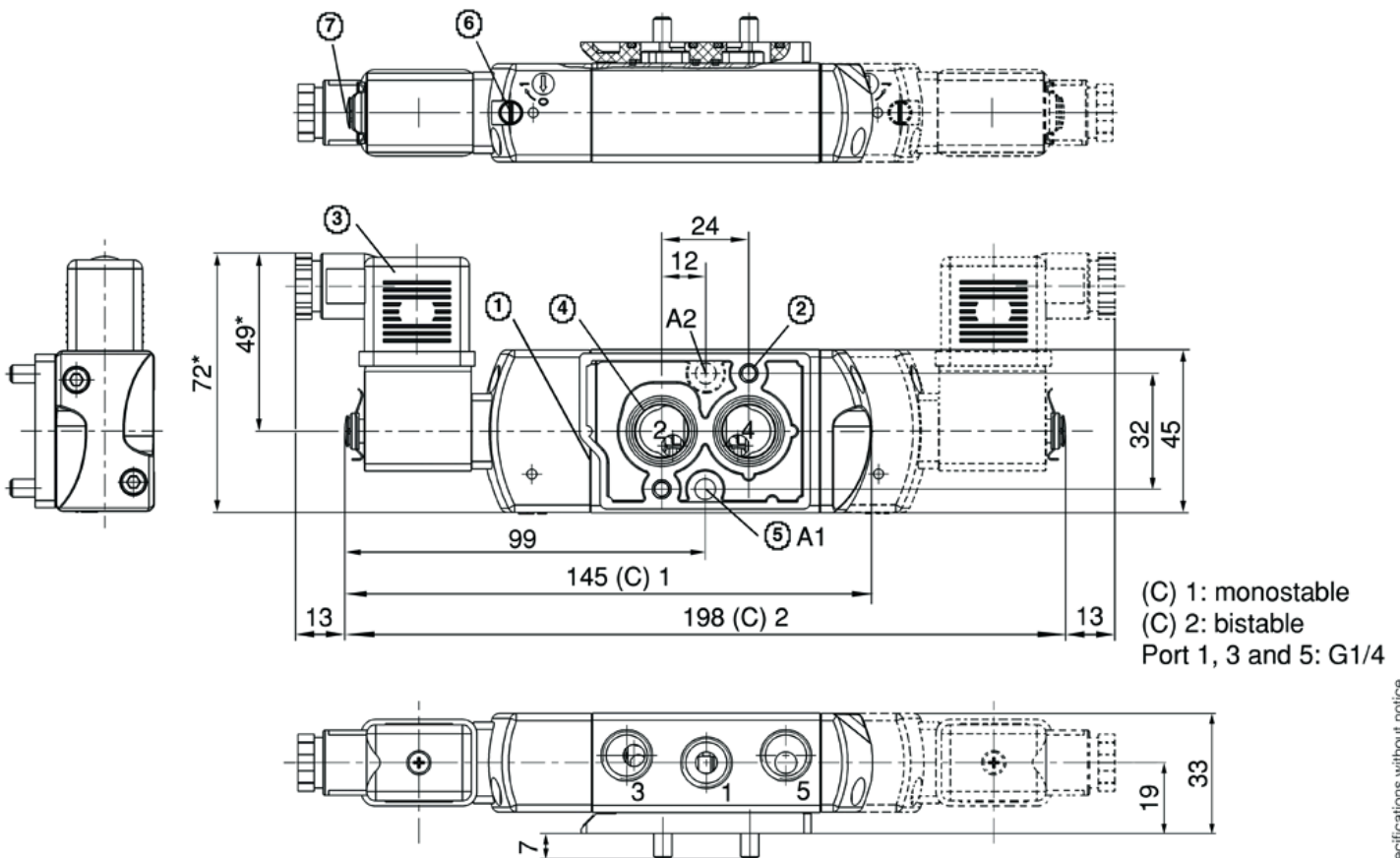
### OPTIONS AND ACCESSORIES

- Standard product comes with both 3/2NC and 5/2 plates. When TPL: 24018 is indicated, only 5/2 plates will be provided. When TPL: 24019 is indicated, only 3/2NC plates will be provided. Catalog No.: SCXG531 \_\_\_\_\_.
- Set of two silencers / flow controls
- NPT, Rc thread available
- Standard product surface finish in anodized black in colour with change letter 'B'. Silver anodized available with change letter 'A'
- Epoxy coil available

### INSTALLATION

- The solenoid spool valves can be mounted in any position
- Spool valve supplied with two interface plates with NAMUR mating surfaces. Depending on function (NC 3/2 or 5/2), position one of the two plates on the spool valve body before installing on actuator
- Dowel pin (if necessary), bolts and gaskets are standard supplied
- It is strongly recommended to connect pipes or silencers (34600419) to the exhaust ports to protect the internal parts of the spool valve and its pneumatic operator if used outside or in harsh environments (dust, liquids etc.)
- Installation / maintenance instructions are included with each solenoid spool valve
- Replacement coils are available

### DIMENSIONS (mm), WEIGHT (kg)



- 1 Interface plate
- 2 Mounting: 2 M5 x 35 screws  
Engaged length: 7 mm
- 3 Connector rotatable 2 x 180°, CM8 (Pg 9P)
- 4 2 O-ring seals (supplied)
- 5 One 5 mm dia. hole for dowel pin  
- in position A1: 3/2 function plate  
- in position A2: 5/2 function plate
- 6 Manual operator screw-type
- 7 Pilot exhaust connection port: ØM5, equipped with drain protector  
\* + 15 mm for connector removal  
Weight: 0.35 kg