

EEx de Enclosure Modular System in Moulded Plastic Series 8510

- Explosion protection to
 - CENELEC
 - IEC
- Can be used in Zone 1 and Zone 2
- Empty enclosures for equipping as ordered with
 - contactors
 - motor protection relays
 - time relays
 - relay repeater units
 - miscellaneous devices
- Fitting electrical and electronic components
- For fitting in EEx e enclosures
- Actuation spindles available
- Four basic enclosure sizes with two depths
- Usable volume max. 1300 cm³

D4572P

STAHL

Series 8510 enclosures are used for the fitting of electrical and electronic components, switching and control equipment, switches, buttons, intrinsically safe electrical equipment and much more.

Actuation spindles can be introduced into the flameproof chamber through the enclosure cover.

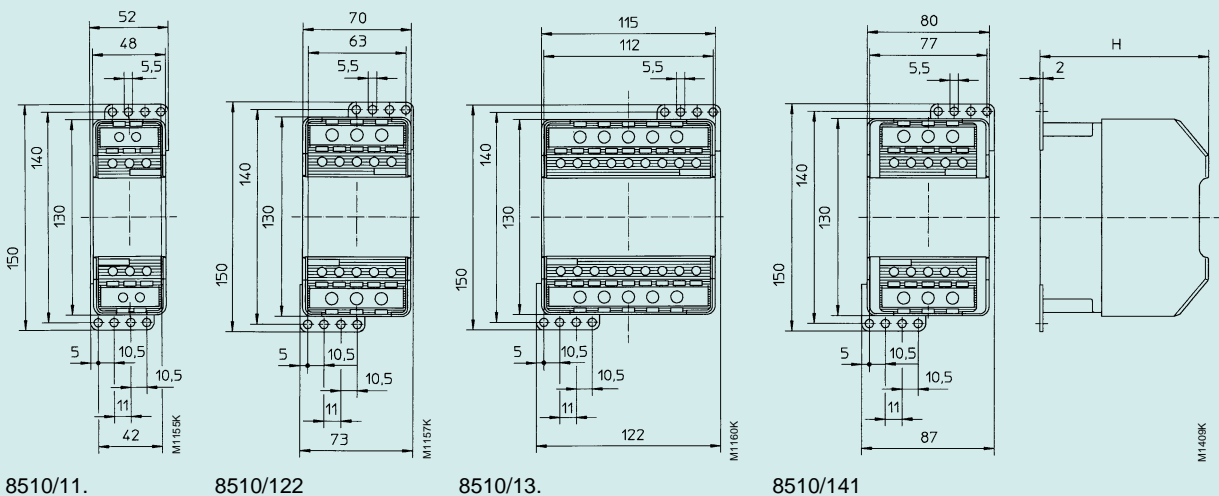
The enclosures are available in four basic enclosure sizes and two depths.

Zone 1 and Zone 2

Technical data				
Versions	8510/111 8510/112	8510/122	8510/131 8510/132	8510/141
Explosion protection	EEx de [ia] IIC T4/T5/T6 (dependent on components)			
Test certificate	BVS 95.D.2025 U Other certificates: BVS/DMT (Germany), BKI (Hungary), FTZU (Czech Republic), SEV (Switzerland), VNIIEF (Russia), CSA (Canada) Note: The 8510 series control devices must be fitted in approved enclosures of the protection type "increased safety" (EEx e).			
Enclosure material	Epoxy resin	Epoxy resin	Epoxy resin	Epoxy resin
Terminal cover	Polyamide; IP 20, finger-contact safety to VDE 0106			
Rated working voltage U_e	Max. 690 V	Max. 690 V	Max. 690 V	Max. 690 V
Rated working current I_e Main contacts Auxiliary contacts	up to 10 A (2,5 mm ²) up to 6 A	up to 25 A (10 mm ²) up to 6 A	up to 25 A (10 mm ²) up to 6 A	up to 25 A (10 mm ²) up to 6 A
Lead cross-sections for main contacts	0,75 ... 1,5 mm ² flexible 0,75 ... 2,5 mm ² solid	1,5 ... 6 mm ² flexible 1,5 ... 10 mm ² solid	1,5 ... 6 mm ² flexible 1,5 ... 10 mm ² solid	1,5 ... 6 mm ² flexible 1,5 ... 10 mm ² solid
Lead cross-sections for auxiliary contacts	0,75 ... 1,5 mm ² flexible 0,75 ... 2,5 mm ² solid	0,75 ... 1,5 mm ² flexible 0,75 ... 2,5 mm ² solid	0,75 ... 1,5 mm ² flexible 0,75 ... 2,5 mm ² solid	0,75 ... 1,5 mm ² flexible 0,75 ... 2,4 mm ² solid
Maximum number of terminals Main contacts Auxiliary contacts	4 6	6 10	10 18	6 10
Dimensions [mm]	/111: L = 130 W = 48 H = 110,5 /112: L = 130 W = 48 H = 168	/122: L = 130 W = 70 H = 168	/131: L = 130 W = 115 H = 110,5 /132: L = 130 W = 115 H = 168	/141: L = 130 W = 80 H = 110,5
Usable fitting volume	/111: ≤ 280 cm ³ /112: ≤ 540 cm ³	/122: ≤ 800 cm ³	/131: ≤ 675 cm ³ /132: ≤ 1300 cm ³	/141: ≤ 480 cm ³

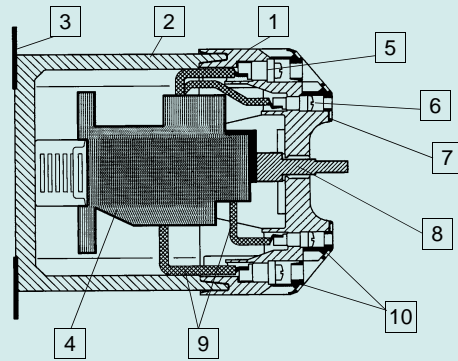
STAHL

Dimensions, all dimensions in mm – subject to alteration



Note: Four fixing brackets are used with enclosure 8510/132.

Schematic diagram of a series 8510 module



- 1 Cover
- 2 Enclosure
- 3 Fixing bracket
- 4 Fitting device
- 5 Main contact terminals
- 6 Auxiliary contact terminals
- 7 Terminal cover
- 8 Flameproof axial lead-through
- 9 Internal wiring
- 10 Terminal identification

Z2186K

Technical data – Temperature classes

Type of enclosure	Ambient temperature	Max. permissible power loss	Heat build-up in enclosure	Temperature class
8510/111	40° C	8,4 W	≤ 40 K	T6
		12,4 W	≤ 55 K	T5
		13,6 W	≤ 60 K	T4
	55° C	4,6 W	25 K	T6
		8,4 W	40 K	T5
		9,5 W	45 K	T4
8510/112	40° C	12 W	≤ 40 K	T6
		17,8 W	≤ 55 K	T5
		19,4 W	≤ 60 K	T4
	55° C	7,0 W	25 K	T6
		12,0 W	40 K	T5
		14,1 W	45 K	T4
8510/122	40° C	15,2 W	≤ 40 K	T6
		21,9 W	≤ 55 K	T5
		24,4 W	≤ 60 K	T4
	55° C	8,7 W	25 K	T6
		15,2 W	40 K	T5
		17,8 W	45 K	T4
8510/131	40° C	13,6 W	≤ 40 K	T6
		20,3 W	≤ 55 K	T5
		22,7 W	≤ 60 K	T4
	55° C	8,1 W	25 K	T6
		13,6 W	40 K	T5
		15,7 W	45 K	T4
8510/132	40° C	17,4 W	≤ 40 K	T6
		25,0 W	≤ 55 K	T5
		28,4 W	≤ 60 K	T4
	55° C	9,5 W	25 K	T6
		17,4 W	40 K	T5
		20,0 W	45 K	T4
8510/141	40° C	9,8 W	≤ 40 K	T6
		14,6 W	≤ 55 K	T5
		16,0 W	≤ 60 K	T4
	55° C	5,4 W	25 K	T6
		9,8 W	40 K	T5
		11,2 W	45 K	T4

STAHL