

D4723P

### Single Phase Control Transformer Series RSTE

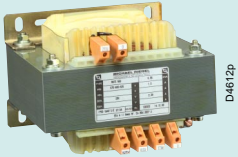
- Explosion protection to
  - CENELEC
  - IEC
- Can be used in Zone 1 and Zone 2
- Rated voltages: primary to 625 V, secondary to 230 V
- Power rating up to 1200 VA

STAHL

Series RSTE transformers are used as control transformers complying with EN 60 204 (VDE 0113). They are intended for fitting in EEx e enclosures.

# Zone 1 and Zone 2

## Selection table

Version	Rating [VA]	Ordering code	Weight [kg]
 RSTE	100	<b>326 703 0</b>	2,76
	200	<b>326 704 0</b>	4,19
	400	<b>326 705 0</b>	5,69
	550	<b>326 706 0</b>	7,56
	1200	<b>326 707 0</b>	14,85

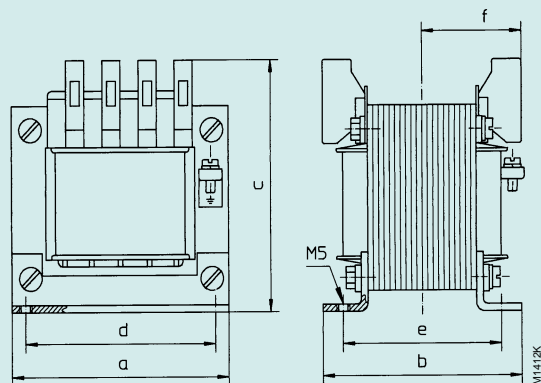
**Note:** Specify with order: primary/secondary voltages

## Technical data

Type	RSTE 100	RSTE 200	RSTE 400	RSTE 550	RSTE 1200
Capacity [VA]	100	200	400	550	1200
Explosion protection	EEx e II T6	EEx e II T6	EEx e II T6	EEx e II T6	EEx e II T6
Test certificate	KEMA Nr. EX-95.D.3337 U	KEMA Nr. EX-95.D.3337 U	KEMA Nr. EX-95.D.3337 U	KEMA Nr. EX-95.D.3337 U	KEMA Nr. EX-95.D.3337 U
Rated input voltage	105 V ... 625 V <sup>1)</sup>	105 V ... 625 V <sup>1)</sup>	105 V ... 625 V <sup>1)</sup>	105 V ... 625 V <sup>1)</sup>	105 V ... 625 V <sup>1)</sup>
Rated output voltage	12 V ... 230 V	12 V ... 230 V	12 V ... 230 V	24 V ... 230 V	48 V ... 230 V
Frequency	50/60 Hz	50/60 Hz	50/60 Hz	50/60 Hz	50/60 Hz
Rated short-circuit voltage	4,56 V ... 4,87 V	4,22 V ... 3,94 V	4,42 V ... 4,3 V	4,3 V ... 3,68 V	2,38 V ... 2,35 V
Max. current density – primary	2,4 A/mm <sup>2</sup>	2,41 A/mm <sup>2</sup>	2,6 A/mm <sup>2</sup>	2,51 A/mm <sup>2</sup>	1,81 A/mm <sup>2</sup>
Max. current density – secondary	1,76 A/mm <sup>2</sup>	2,36 A/mm <sup>2</sup>	2,36 A/mm <sup>2</sup>	2,59 A/mm <sup>2</sup>	1,66 A/mm <sup>2</sup>
Fuse protection – primary	4,0 A gl ... 1,0 A f	4,0 A gl ... 2,0 A gl	4,0 A gl ... 4,0 A gl	6,0 A gl ... 4,0 A gl	10,0 A gl ... 6,0 A gl
Fuse protection – secondary	6,3 A mt ... 0,315 A mt	12,5 A mt ... 0,63 A mt	12,5 A mt ... 1,25 A mt	16,0 A mt ... 1,60 A mt	16,0 A mt ... 4,0 A mt

<sup>1)</sup> 690 V on request

## Dimensions, all dimension in mm – subject to alteration



Type	a	b	c	d	e	f	Fixing hole
RSTE 100	96	87	105	84	70	44	M 5
RSTE 200	105	102	110	84	85	52	M 5
RSTE 400	120	106	119	90	90	55	M 5
RSTE 550	150	104	144	122	84	57	M 6
RSTE 1200	174	126	155	135	107	70	M 6

STAHL