



Earth Leakage Circuit-Breaker with Overcurrent Trip Series 8562

- Explosion protection to
 - CENELEC
 - IEC
- Can be used in Zone 1 and Zone 2
- With residual current measurement and tripping device
- With 2-pole switching miniature circuit-breaker for overload and short-circuit

D4712p

STAHL

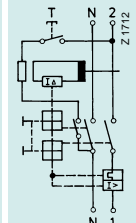
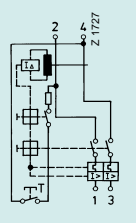
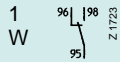
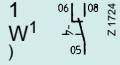
The FI/LS circuit-breaker is the perfect protection for

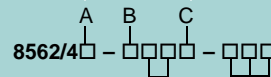
- shorting to earth
- overload, and,
- short-circuits.

The FI/LS circuit-breaker contains a residual current measurement and triggering device as well as the switching miniature circuit breaker with its proven design features and tripping characteristics. This therefore replaces the separate "FI circuit-breaker" and "miniature circuit-breaker", saving fitting cost and mounting space.

Zone 1 and Zone 2

Selection table

Version		1 p + N			Weight [kg]	2-pole			Weight [kg]
									
Auxiliary contact:	without	2	5	0	1,1	4	2	0	2,0
	1 W 	3	5	4		4	2	4	
	1 W ¹ 	3	5	5		4	2	5	
1) Fault indication contact		A ²⁾	B	C		A ²⁾	B	C	



Characteristic	Rated leakage current		Rated current			
			1 p + N	2-pole		
B characteristic	10 mA	13	16 A	060	–	–
			10 A	100	–	–
			13 A	130	–	–
			16 A	160	–	–
	30 mA	05	6 A	060	6 A	060
			10 A	100	10 A	100
			13 A	130	13 A	130
			16 A	160	16 A	160
			20 A	200	20 A	200
300 mA	06	6 A	060	6 A	060	
		10 A	100	10 A	100	
		13 A	130	13 A	130	
		16 A	160	16 A	160	
		20 A	200	20 A	200	
C characteristic	10 mA	14	16 A	060	16 A	060
			10 A	100	10	100
			13 A	130	13 A	130
			16 A	160	16 A	160
	30 mA	05	6 A	060	6 A	060
			10 A	100	10 A	100
			13 A	130	13 A	130
			16 A	160	16 A	160
			20 A	200	20 A	200
	300 mA	06	6 A	060	6 A	060
			10 A	100	10 A	100
			13 A	130	13 A	130
			16 A	160	16 A	160
			20 A	200	20 A	200



1) Fault indication contact

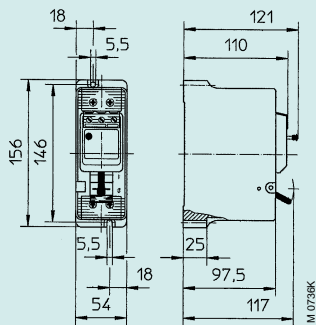
2) Module width 2 = 54 mm 3 = 72 mm 4 = 99 mm

Earth Leakage Circuit-Breaker with Overcurrent Trip Series 8562

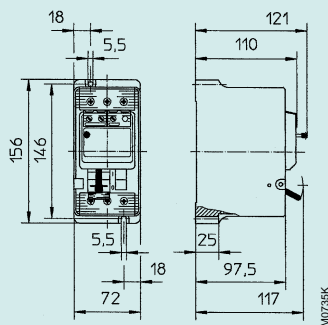
Technical data	
Explosion protection	EEx de IIC T6 (to 16 A) EEx de IIC T5 (20 A ... 40 A)
Test certificate	PTB Nr. Ex-92.C.1017 U
Enclosure material	Epoxy resin
Rated working voltage	230 V, AC (1 p + N); max. voltage 240 V, AC (2 p + N)
Rated working leakage currents	1 p + N: $I_N \rightarrow$ B/C 6 A ... 16 A; $I_{\Delta N} = 10$ mA $I_N \rightarrow$ B/C 6 A ... 40 A; $I_{\Delta N} = 30/300$ mA 2 p: $I_N \rightarrow$ B/C 6 A ... 40 A; $I_{\Delta N} = 30/300$ mA
Breaking capacity	6 kA, to DIN VDE 0664 part 2/08.88
Rated frequency	50/60 Hz
Note	for AC and pulsed DC; the breaker has an external test button for checking earth fault function. B- or C-characteristic, 6 kA See MCBs 8562 technical data page 11/55.
ELCB	
MCB	
Back-up fuse	max. 160 A, back-up protection 25/50 kA
Terminals	1,5 ... 10 mm ² , clamp terminal
Ambient temperature	-20° C ... +40° C
Auxiliary contact	see MCB technical data page 11/55
Schematic	<p> $U_T = \sim 100 \dots 240$ V 1 p + N </p> <p> $U_T = \sim 100 \dots 240$ V 2-pole </p>

STAHL

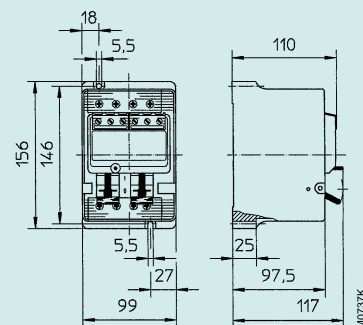
Dimensions, all dimensions in mm – subject to alteration



ELCB/MCB, 1-pole + N, 8562/42-...



ELCB/MCB, 1-pole + N,
with auxiliary contact, 8562/43-...



ELCB/MCB, 2-pole,
8562/44-...