



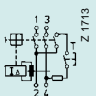
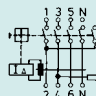
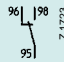
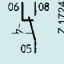
### Earth Leakage Circuit-Breaker Series 8562

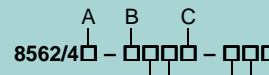
- Explosion protection to
  - CENELEC
  - IEC
- Can be used in Zone 1 and Zone 2
- For use in pulsed DC and AC currents
- Protection against contact voltage
- No integral protection against overload/short-circuit
- Rated working current
  - 16 A
  - 25/40 A
- Rated leakage current
  - 10 mA
  - 30/100/300/500 mA

D4711P



#### Selection table

Version			Module width 54 mm	Weight [kg]		Module width 99 mm	Weight [kg]
Auxiliary contact:	without		2	0		4	1,9
	1 CO 		3	4		4	4
	1 CO <sup>1)</sup> 		3	5		4	5
1) Fault indication contact		A	B	C	A	B	C



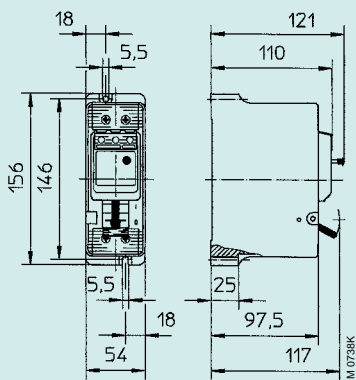
Rated leakage current (others on request)	Rated current 2-pole		Rated current 4-pole		
10 mA	09	16 A	160	–	–
30 mA	10	25 A 40 A	250 400	25 A 40 A	250 400
300 mA	11	–	–	25 A 40 A	250 400
500 mA	12	–	–	25 A 40 A	250 400

# Zone 1 and Zone 2

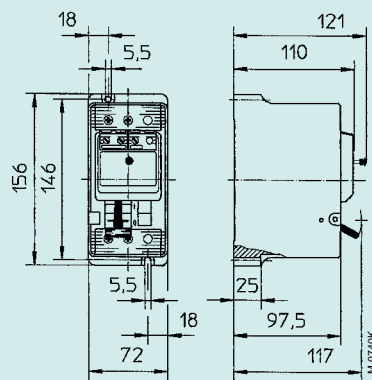
Technical data	
Explosion protection	EEx de IIC T6 (25 A) EEx de IIC T5 (40 A)
Test certificate	PTB Nr. Ex-92.C.1071 U
Enclosure material	Epoxy resin
Rated working voltage	2-pole: 127 V ... 230 V 4-pole: 230 V ... 400 V
Rated working and leakage currents	2-pole (54 mm): $I_N = 16 \text{ A}$ ; $I_{\Delta N} = 10 \text{ mA}$ $I_N = 25 \text{ A}/40 \text{ A}$ ; $I_{\Delta N} = 30/100/300/500 \text{ mA}$ 4-pole (99 mm): $I_N = 25 \text{ A}/40 \text{ A}$ ; $I_{\Delta N} = 30/100/300/500 \text{ mA}$
No. of poles	2; 4
Back-up fuse	up to 6 kA with fuse 63 A gL
Note	AC and pulsed DC. The breaker has an external test button for checking earth fault function. Selective ELCB on request.
Schematic	<p>2-pole                      4-pole</p>
Terminals	1,5 mm <sup>2</sup> ... 10 mm <sup>2</sup> , clamp terminal
Ambient temperature	-20° C ... +40° C
Auxiliary contact	option 1 CO



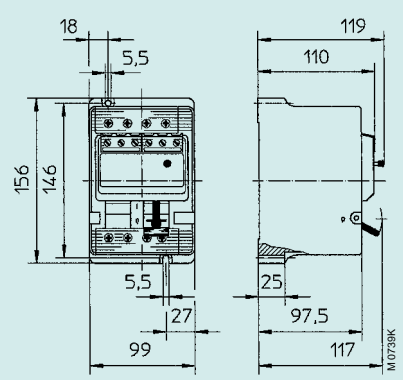
### Dimensions, all dimensions in mm – subject to alteration



ELCB, 2-pole, 8562/42- ...



ELCB, 2-pole + 1 aux. contact,  
8562/43- ...



ELCB, 4-pole, 8562/44- ...

### Earth leakage circuit-breakers, 8562