



### Fuse Base Series 8561/02



- Explosion protection to
  - CENELEC
  - IEC
- Can be used in Zone 1 and Zone 2
- For Diazed System fuse links
- Rated working voltage up to 500 V
- Rated working current up to 63 A
- Defective fuse link detectable externally

D4708p

STAHL

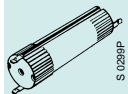
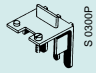
Series 8561/02 fuse bases are fitted with commercially-available Neozed System fuse links. They are used mainly in EEx e distribution fuse boards to protect the outgoing load circuits or as back-up protection for the equipment.

#### Selection table

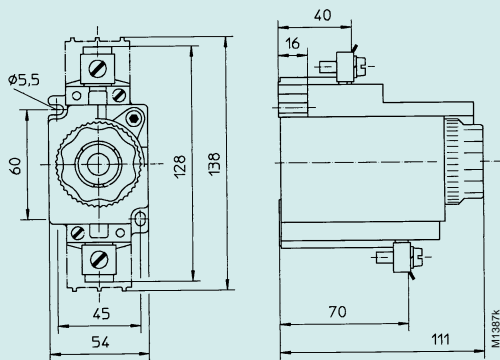
Size Screw	Current [A]	Ordering code			Weight [kg]
		Fuse base	Fuse 	Adaptor screw 	
D II E 27	2 A	8561/02 – 11	510 562 0	511 665 0	0,75 (fuse base)
	4 A		510 563 0	511 666 0	
	6 A		510 564 0	511 667 0	
	10 A		510 565 0	511 668 0	
	15 A		510 566 0	511 669 0	
	20 A		510 567 0	511 670 0	
	25 A		510 568 0	511 671 0	
D III E 33	35 A	8561/02 – 12	510 569 0	511 672 0	
	50 A		510 560 0	511 673 0	
	63 A		510 561 0	511 674 0	

# Zone 1 and Zone 2

<b>Technical data</b>	
Explosion protection	2 ... 20 A: EEx de IIC T6 25 ... 35 A: EEx de IIC T5 50 ... 63 A: EEx de IIC T4
Test certificate	PTB Nr. Ex-84.B.1094 U Other certificates: FTZU (Czech Republic), BKI (Hungary), SEV (Switzerland)
Enclosure material	Epoxy resin
Screw cap fixing	M 4, Socket head cap screw
Rated working voltage	500 V AC/DC
Rated working current	2 ... 63 A
Characteristic	time-lag class gL, gT/gF, gl to VDE 0636, 0635, IEC 269
Terminals	2 x 1,5 ... 16 mm <sup>2</sup> clamp terminals
Ambient temperature	- 20° C ... + 40° C
Note	Diazed system fuses. A defective fuse link can be detected externally by means of the indicator. Fuse links may only be exchanged after disconnecting power supply.

<b>Accessories</b>			
Adaptor screw fitter		511 675 0	0,015
Terminal cover		85 610 01 14 0	0,01

**Dimensions,**  
all dimensions in mm – subject to alteration



**8561/01**  
Fuse base

**Current/time characteristic for fuses**  
(tolerance max. ± 5 %)

