

EEx e Enclosures in Metal Series 8125

- Explosion protection to
 - CENELEC
 - IEC
- Can be used in Zone 1 and Zone 2
- Enclosure material
 - Painted sheet steel
 - Stainless steel
- 6 enclosure sizes available



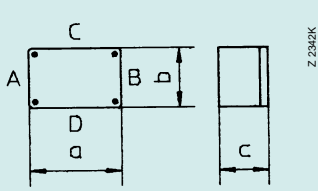
D4742p

6 sizes are available in the 8125 enclosure series. The material used is either painted sheet steel or stainless steel. The dimensions are so designed that they can be combined, using the modular system, into large units. When this is done, metal flanges are used.

STAHL

Zone 1 and Zone 2

Selection table

Enclosure	Dimensions [mm]			Ordering code	Weight [kg]
	a	b	c		
 <p>8125 EEx e enclosure</p>	176,5	116,5	91	8125/5041 – □	1,0
	176,5	176,5	91	8125/5051 – □	1,5
	236,5	176,5	91	8125/5061 – □	2,1
	236,5	176,5	150	8125/5063 – □	2,8
	360	176,5	91	8125/5071 – □	3,1
	360	176,5	150	8125/5073 – □	4,0
	360	360	91	8125/5081 – □	5,6
	360	360	150	8125/5083 – □	6,0
	360	360	190	8125/5085 – □	6,5
	360	360	230	8125/5086 – □	7,2
	727	360	91	8125/5091 – □	8,5
	727	360	150	8125/5093 – □	9,2
	727	360	190	8125/5095 – □	10,1

Add. to ordering code

Standard: Sheet steel
Special: Stainless steel



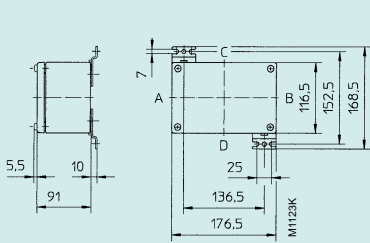
Flanges

specify with order: enclosure side and material

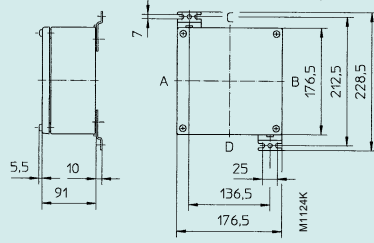
Technical data

Explosion protection	EEx ed IIC T6
Test certificate	PTB Nr. Ex-96.D.3148 Other certificates: BKI (Hungary), UL (USA), CSA (Canada), SEV (Switzerland), FTZU (Czech Republic)
Material Enclosure	Standard: Sheet steel, galvanized; powder coated RAL 7032 Special: Stainless steel 1.4571; Electro-polished (sea water and acid resistant)
Gasket	EPDM
Cover fixing Standard Special	M 6, cheese-head screws with combi-slot; captive; stainless steel with cover hinges
Rated working voltage	max. 690 V (dependent on components used)
Connection	as specified in order – direct to fitted equipment or to terminal block
Flanges Standard Special	None On one or several sides, as ordered Flange material: sheet steel, galvanised or stainless steel, rust-free
Degree of protection	IP 66 (dependent on components used)
Ambient temperature	– 20° C ... + 40° C

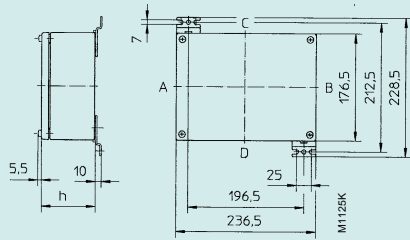
Dimensions, all dimensions in mm – subject to alteration



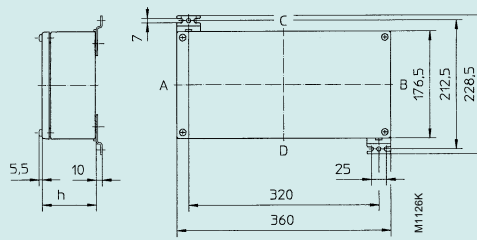
8125/04.



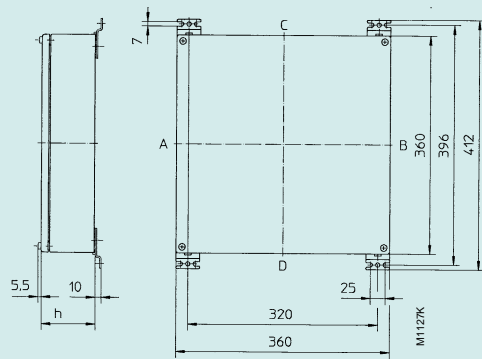
8125/05.



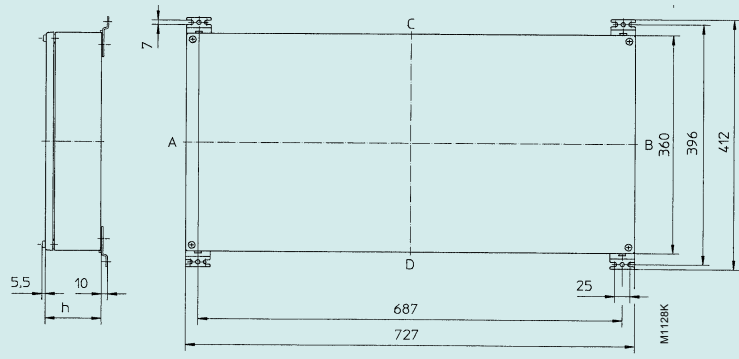
8125/06.



8125/07.



8125/08.



8125/09.



Enclosure	Height of enclosure h			
	1 91 mm	3 150 mm	5 190 mm	6 230 mm
8125/504□	X	-	-	-
8125/505□	X	-	-	-
8125/506□	X	X	-	-
8125/507□	X	X	-	-
8125/508□	X	X	X	X
8125/509□	X	X	X	-

X_available version

Height of enclosure h