



Ex e Enclosures in Moulded Plastic Series 8146

- Explosion protection to
 - CENELEC
 - IEC
- Can be used in Zone 1 and Zone 2
- Enclosures in glass fibre reinforced polyester resin
- Secure protection for installed components
- Fitting to customer's order of:
 - enclosure flanges
 - flanged enclosures (length of side 340 mm or 680 mm)

STAHL

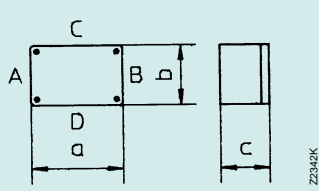
Due to its large number of enclosure versions, the 8146 series is ideal for the assembly of explosion-protected control and distribution units.

Explosion protection for the units is achieved by fitting components to EEx d "flameproof" standard or EEx e "increased safety" standard.

Individual enclosures can be combined to form larger enclosure units, connected together on adjoining sides with sealing frames.

Zone 1 and Zone 2

Selection table

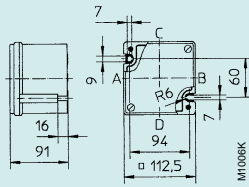
Enclosure	Dimensions [mm]			Ordering code	Weight – empty enclosure without flange [kg]
	a	b	c		
 <p>8146 EEx e enclosure</p>	112,5	112,5	91	8146/5031	0,47
	170	112,5	91	8146/5041	0,58
	227	112,5	131	8146/5242	1,10
	170	170	91	8146/5051	0,86
	170	170	131	8146/5052	1,10
	227	170	91	8146/5061	1,15
	227	170	131	8146/5062	1,40
	340,5	170	91	8146/5071	1,60
	340,5	170	131	8146/5072	1,95
	340,5	170	150	8146/5073	1,80
	340,5	170	190	8146/5075	2,30
	340,5	170	91	8146/5S71	1,60
	340,5	170	150	8146/5S73	1,80
	340,5	340,5	91	8146/5081	2,95
	340,5	340,5	131	8146/5082	3,45
	340,5	340,5	150	8146/5083	3,40
	340,5	340,5	171	8146/5084	3,70
	340,5	340,5	190	8146/5085	3,90
	340,5	340,5	230	8146/5086	4,20
	681,5	340,5	91	8146/5091	5,60
	681,5	340,5	131	8146/5092	6,30
	681,5	340,5	150	8146/5093	6,20
	681,5	340,5	190	8146/5095	6,90

Note: Adjustable mounting plates can be supplied for all enclosures with a height of 131 mm, 190 mm or 230 mm (from enclosure size 5061). Cover hinges are available for all enclosures. Flanges can be fitted to order, please specify enclosure side.

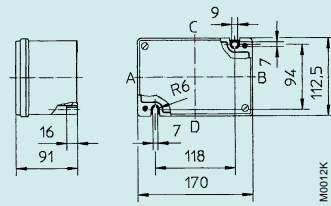
Technical data

Explosion protection	EEx de IIC T4/T5/T6, dependent on components used
Test certificate	PTB Nr. Ex-95.D.3155 Other certificates: BKI (Hungary), CDN (Canada), SEV (Switzerland), VNIIEF (Russia), FM (USA)
Rated working voltage	max. 1000 V, dependent on components used
Rated working current	dependent on components used
Degree of protection	IP 66
Ambient temperature	– 20° C ... + 50° C
Enclosure material	Polyester resin, dark grey similar to RAL 7024, impact strength $\geq 7\text{Nm}$, surface resistance $\leq 10^9\text{ Ohm}$. Material self-extinguishing and flame resistant
Gaskets	Polyurethane foam
Enclosure design	normally without flanges with mounted flanges alternatively
Cover fixing	Standard: M 6 cheese head screws (corrosion-free material) Special: with hinge
Cable glands	to order, side of entry must be stated see section 13

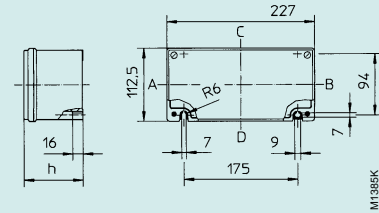
Dimensions, all dimensions in mm – subject to alteration



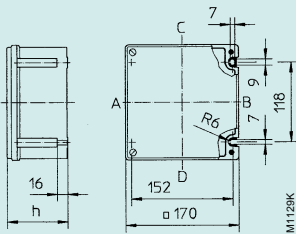
8146/03.



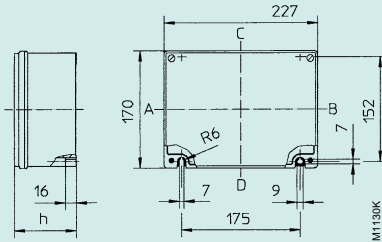
8146/04.



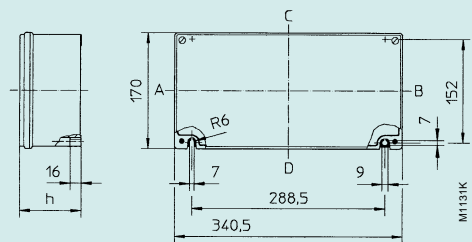
8146/5242



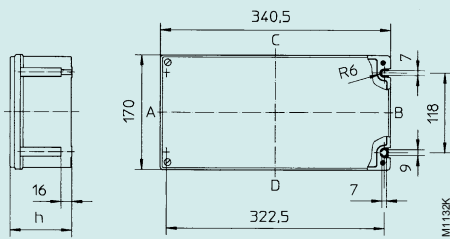
8146/05.



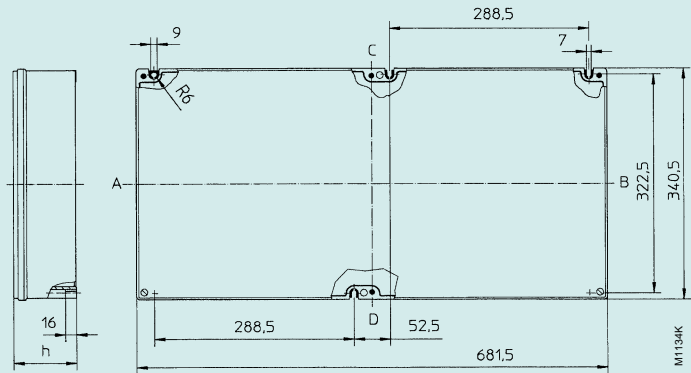
8146/06.



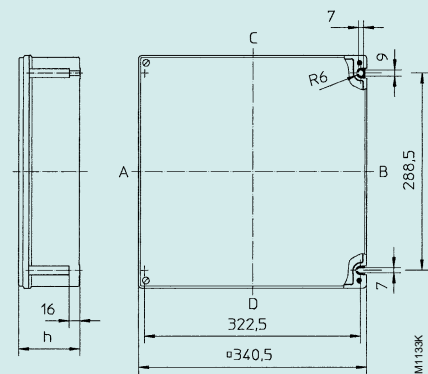
8146/07.



8146/S7.



8146/09.



8146/08.

Enclosure	Height of enclosure h					
	1 91 mm	2 131 mm	3 150 mm	4 171 mm	5 190 mm	6 230 mm
8146/03□	X	-	-	-	-	-
8146/04□	X	-	-	-	-	-
8146/5242	-	X	-	-	-	-
8146/05□	X	X	-	-	-	-
8146/06□	X	X	-	-	-	-
8146/07□	X	X	X	-	X	-
8146/S7□	X	-	X	-	-	-
8146/08□	X	X	X	X	X	X
8146/09□	X	X	X	-	X	-

X _available version

Height of enclosure h