



D4617p

EEx d Enclosures Flameproof Encapsulation in Light Metal Series GUB

- Explosion protection to
 - CENELEC
 - IEC
- Can be used in Zone 1 and Zone 2
- Available as empty enclosures or completely fitted and wired units
- Direct and indirect cable entries available
- Simple installation using external fixing straps
- Cast aluminium

STAHLE

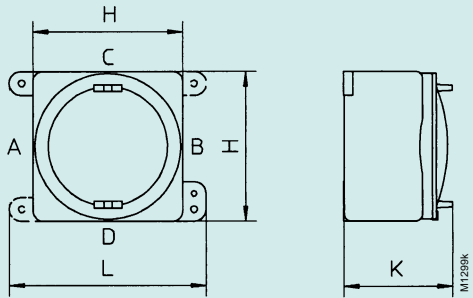
Series GUB enclosures can be used for terminals, side-operated switches and other standard electrical equipment such as fuses, contactors, transformers and ballasts.

They can be supplied as empty enclosures or completely fitted and wired units.

The threaded lid can be provided with an O-ring gasket to increase the enclosure protection class.

Zone 1 and Zone 2

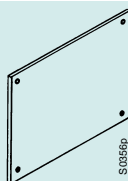
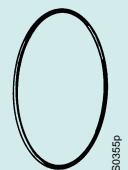
Selection table

Version	Type	Dimensions [mm]			Ordering code	Weight [kg]
		H	L	K		
	GUB	120	165	118	461 039 0	1,6
	GUB 0	150	198	129	461 045 0	2,6
	GUB 01	174	218	139	461 047 0	3,6
	GUB 02	233	302	165	461 049 0	6,4
	GUB 03	276	356	218	461 051 0	11,4

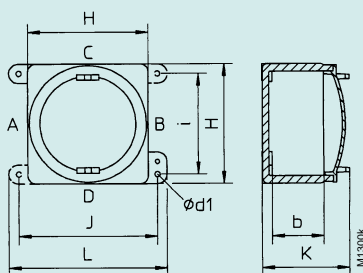
Technical data

Explosion protection	EEx d II C T6				
Test certificate	INIEX 82.103.174				
Material	Aluminium (copper-free)				
Rated working voltage U_e	600 V, AC				
Rated working current I_e	max. 400 A				
Power dissipation, max.	GUB	GUB 0	GUB 01	GUB 02	GUB 03
	15 W	15 W	20 W	25 W	65 W
Degree of protection	IP 54				
	IP 65 with O-ring (to order)				

Accessories

Designation	Illustration	Ordering code	Weight [kg]	
Mounting plate		for GUB	461 044 0	0,015
		GUB 0	461 046 0	0,030
		GUB 01	461 048 0	0,047
		GUB 02	461 050 0	0,076
		GUB 03	461 052 0	0,115
O-ring gasket		for GUB	461 038 0	0,004
		GUB 0	461 040 0	0,005
		GUB 01	461 041 0	0,006
		GUB 02	461 042 0	0,008
		GUB 03	461 043 0	0,010

Dimensions, all dimensions in mm – subject to alteration



Dimensions [mm]

Type	H	L	K	b	i	J	Ø d ₁
GUB	120	165	118	59	100	145	9
GUB 0	150	198	129	63	126	174	11
GUB 01	174	218	139	74	150	195	11
GUB 02	233	302	165	82	196	267	13
GUB 03	276	356	218	130	236	316	13