




Motor Protecting Switches Series 8525

- Explosion protection to
 - CENELEC
 - IEC
- Can be used in Zone 1 and Zone 2
- Motor protecting switches 25 A to 63 A for Ex e- and EX d- motors
- Adjustable thermal over-current trip
Tripping characteristic T 11
- Fast electromagnetic trip
- Possible options to order with
 - Auxiliary contacts
 - Under-voltage trip
 - Shunt trip
 - Ammeter

STAHL

Selection table

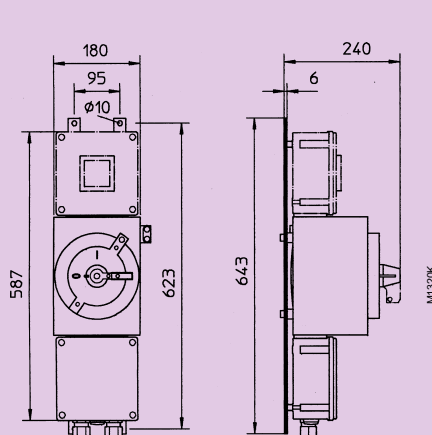
Series	Auxiliary contacts	Switch I_e [A]	Ordering code		Weight [kg]	
			without accessories	with undervoltage trip		
 <p>8525/1 Motor protecting switch</p>	without auxiliary contacts	25 A	16 - 25 A	8525/1 - 25 - 003	8525/1 - 25 - 10□-□	12,5
		32 A	22 - 32 A	8525/1 - 32 - 006	8525/1 - 32 - 10□-□	12,5
		40 A	28 - 40 A	8525/1 - 40 - 006	8525/1 - 40 - 10□-□	13,2
		50 A	36 - 50 A	8525/1 - 50 - 006	8525/1 - 50 - 10□-□	13,2
		63 A	45 - 63 A	8525/1 - 63 - 006	8525/1 - 63 - 10□-□	13,2
		with auxiliary contacts	25 A	16 - 25 A	8525/1 - 25 - 053	8525/1 - 25 - 1□□-□
	32 A		22 - 32 A	8525/1 - 32 - 056	8525/1 - 32 - 1□□-□	13,0
	40 A		28 - 40 A	8525/1 - 40 - 056	8525/1 - 40 - 1□□-□	13,7
	50 A		36 - 50 A	8525/1 - 50 - 056	8525/1 - 50 - 1□□-□	13,7
	63 A		45 - 63 A	8525/1 - 63 - 056	8525/1 - 63 - 1□□-□	13,7

Undervoltage coil/Shunt trip module upon request

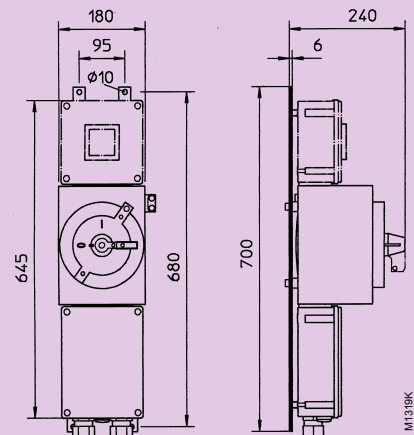
Zone 1 and Zone 2



Technical data																																									
Type	8525 in enclosure system 8220																																								
Explosion protection	EEx de IIC T6/T4* * with ammeter 60 A																																								
Test certificate	PTB No. Ex-94.C.1065 other certificates: ISSEP (Belgium); PTB, BVS / DMV (German Federal Republic); LCIE (France); ERA (Great Britain); SZS (Yugoslavia); NEMKO (Norway); ETVA, TÜV Vienna (Austria); VNIIEF (Russia); SEV (Switzerland); FTZU (Czech Republic); BKI (Hungary)																																								
Enclosure material Ex d enclosure Ex e enclosure	Enclosure: sheet steel, cover die-cast alloy Polyester resin																																								
Rated operating voltage U_e	690 V, AC																																								
Rated operating current I_e	25 A, 32 A, 40 A, 50 A, 63 A																																								
Switching capacity	AC 3 to IEC 947-4-1; EN 60 947-4-1; DIN VDE 0660 Part 102 <table border="1"> <thead> <tr> <th>U_e</th> <th>230 V ~</th> <th>240 V ~</th> <th>400 V ~</th> <th>415 V ~</th> <th>500 V ~</th> <th>660 V ~</th> <th>690 V ~</th> </tr> </thead> <tbody> <tr> <td>Switch</td> <td></td> <td></td> <td></td> <td></td> <td></td> <td></td> <td></td> </tr> <tr> <td></td> <td>P [kW]</td> <td></td> <td></td> <td></td> <td></td> <td></td> <td></td> </tr> <tr> <td>32 A</td> <td>9 kW</td> <td>9,6 kW</td> <td>16 kW</td> <td>17 kW</td> <td>21 kW</td> <td>26 kW</td> <td>27 kW</td> </tr> <tr> <td>63 A</td> <td>18 kW</td> <td>20 kW</td> <td>32 kW</td> <td>35 kW</td> <td>43 kW</td> <td>58 kW</td> <td>60 kW</td> </tr> </tbody> </table>	U_e	230 V ~	240 V ~	400 V ~	415 V ~	500 V ~	660 V ~	690 V ~	Switch									P [kW]							32 A	9 kW	9,6 kW	16 kW	17 kW	21 kW	26 kW	27 kW	63 A	18 kW	20 kW	32 kW	35 kW	43 kW	58 kW	60 kW
U_e	230 V ~	240 V ~	400 V ~	415 V ~	500 V ~	660 V ~	690 V ~																																		
Switch																																									
	P [kW]																																								
32 A	9 kW	9,6 kW	16 kW	17 kW	21 kW	26 kW	27 kW																																		
63 A	18 kW	20 kW	32 kW	35 kW	43 kW	58 kW	60 kW																																		
Thermal overcurrent trip	see tripping characteristics, characteristic T II																																								
Electromagnetic trip	12 times max. value of adjustable range of thermal trip, set definitely																																								
Switch-off capacity	I_e → 25 - 32 A 40 A 50 A 63 A $U_e = 240 V \sim$ 10 kA 50 kA 50 kA 50 kA $U_e = 400 V \sim$ 10 kA 42 kA 30 kA 22 kA																																								
Back-up fuse	<table border="1"> <thead> <tr> <th></th> <th>25/32 A up to 440 V</th> <th>40 A 500 V</th> <th>50 A 690 V</th> <th>63 A 690 V</th> </tr> </thead> <tbody> <tr> <td>Diased time-lag/ NH (HRC)</td> <td>80 A 125 A</td> <td>80 A 100 A</td> <td>35 A 50 A</td> <td>– 160 A</td> </tr> </tbody> </table>		25/32 A up to 440 V	40 A 500 V	50 A 690 V	63 A 690 V	Diased time-lag/ NH (HRC)	80 A 125 A	80 A 100 A	35 A 50 A	– 160 A																														
	25/32 A up to 440 V	40 A 500 V	50 A 690 V	63 A 690 V																																					
Diased time-lag/ NH (HRC)	80 A 125 A	80 A 100 A	35 A 50 A	– 160 A																																					
Mechanical life	10^5 Operations																																								
Switching frequency	max. 25/h																																								
Ambient temperature	– 20 °C ... + 40 °C																																								
Degree of protection	IP 55																																								
Terminals	<table border="1"> <thead> <tr> <th>32 A</th> <th>63 A</th> <th></th> </tr> </thead> <tbody> <tr> <td>6 mm² 10 mm²</td> <td>16 mm² 35 mm²</td> <td>flexible solid/stranded</td> </tr> </tbody> </table>	32 A	63 A		6 mm ² 10 mm ²	16 mm ² 35 mm ²	flexible solid/stranded																																		
32 A	63 A																																								
6 mm ² 10 mm ²	16 mm ² 35 mm ²	flexible solid/stranded																																							
Cable entries	<table border="1"> <thead> <tr> <th>Switch</th> <th>Compression glands</th> </tr> </thead> <tbody> <tr> <td>32 A 63 A</td> <td>2 x Pg 21, 1 x Pg 16 2 x Pg 29, 1 x Pg 16</td> </tr> </tbody> </table>	Switch	Compression glands	32 A 63 A	2 x Pg 21, 1 x Pg 16 2 x Pg 29, 1 x Pg 16																																				
Switch	Compression glands																																								
32 A 63 A	2 x Pg 21, 1 x Pg 16 2 x Pg 29, 1 x Pg 16																																								
Switch handle	in 0-position padlockable in one position																																								
Accessories																																									
Auxiliary contacts Rated voltage Rated current Back-up fuse Terminals	options: none, 1 NC + 1 NO max. 380 V, AC 3 A 6 A 2,5/4 mm ² flexible/solid																																								



Motor protecting switches, 8525/-32 ... up to 32 A



Motor protecting switches, 8525/-63 ... up to 63 A