



CCTV Camera Series 8214


- Explosion protection
 - CENELEC
 - IEC
- Can be used in Zone 1 and Zone 2
- Camera with lens, power supply, ready to run for installation in factory
- Cameras can be provided by customer
- Available with
 - swivel-tilt head (manual or motor operated)
 - protective cover
- Optional thermostatically-controlled internal heating

STAHL

Series 8214 enclosures are designed to contain cameras for monitoring equipment in potentially explosive areas.

Zone 1 and Zone 2

Selection table

Version	Description	Ordering code	Weight [kg]
8214 CCTV camera enclosure 	CCTV camera enclosure empty	8214/124-2-S06	7,5
	with internal heating fitted	8214/124-2-S07	7,8

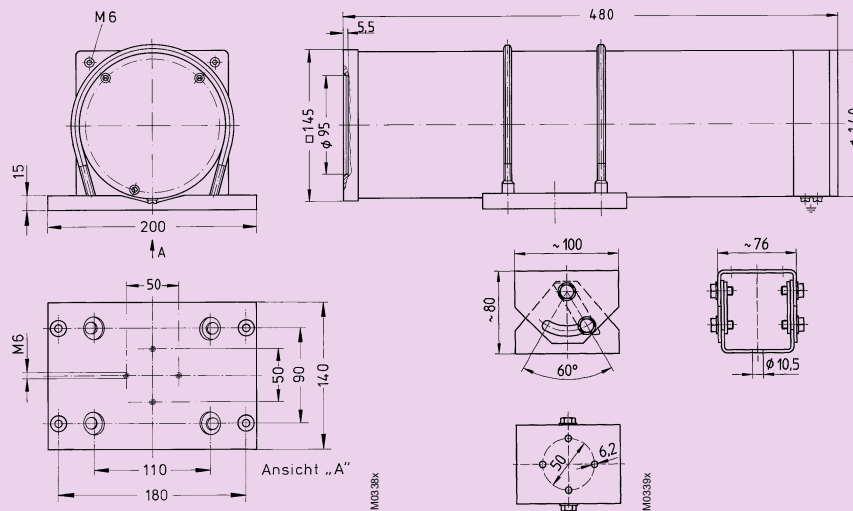
Add. to ordering code:

To order: ... with mounted CCTV camera type ... (generally free issue)
 ... with protective cover

Technical data

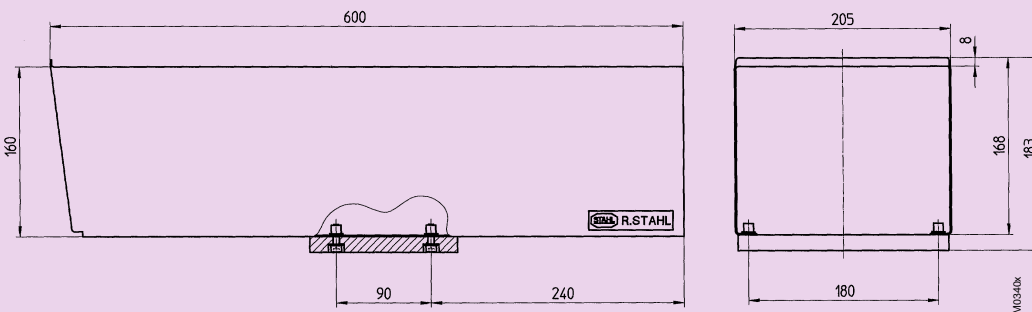
Explosion protection	EEx de IIC T6
Test certificate	PTB Nr. Ex-88.B.1067 Other certificates: BKI (Hungary), SEV (Switzerland), TÜV Vienna (Austria)
Degree of protection	IP 65
Ambient temperature	- 30° C ... + 40° C, by a heater in the enclosure
Electrical data for camera Rated voltage Rated power	max. 400 V, 50 Hz $P_{V \text{ max.}} = 70 \text{ W}$

Dimensions, all dimensions in mm – subject to alteration



8214/124-2-S..
CCTV camera enclosure

Swivel-tilt head (mechanical)



Protective cover

