

Ammeter/Voltmeter Series 8405, 8403, 8404

- Explosion protection to
 - CENELEC
 - IEC
- Can be used in Zone 1 and Zone 2
- Fast comparison of measurements with set values
- Versions available
 - Ammeter 8405 and 8403
 - Voltmeter 8404

STAHL


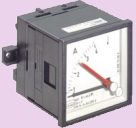


The ammeter and voltmeters are moving iron instruments with an accuracy class 2.5.

The externally adjustable red pointer of the ammeter enables quick comparison of measurements with set values.

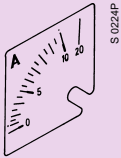
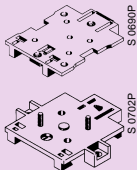
On ammeters for 1 and 5 A CT connection a scale can be slid in from the side, thus enabling simple and quick local alignment.

Zone 1 and Zone 2

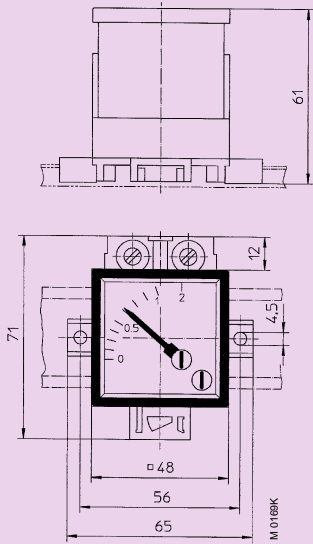
Selection table

| Version | Ammeter | Measuring range | | Ordering code | | Weight [kg] |
|--|----------------------|---|-----------------------|---------------------------------|----------------------------------|----------------|
| | Voltmeter | | Overload scale | Type no. (for individual order) | Assembly (code for installation) | |
|  <p>8405 Ammeter □ 48 mm</p> <p>D4468P</p> | direct measuring | 0 – 0,02/0,04A | 2 times | 8405/0,02/0,04 | 86/0,02/0,04 | 0,22 |
| | | 0 – 0,06/0,12A | | 8405/0,06/0,12 | 86/0,06/0,12 | 0,22 |
| | | 0 – 1/2A | | 8405/1/2 | 86/1/2 | 0,22 |
| | | 0 – 4/8A | | 8405/4/8 | 86/4/8 | 0,22 |
| | | 0 – 10/20A | | 8405/10/20 | 86/10/20 | 0,22 |
| | | 0 – 15/30A | | 8405/15/30 | 86/15/30 | 0,22 |
| | for CT (plain scale) | 1 A | 2 or 5 times | 8405/1 | 86/1/2 | 0,22 |
| | 5 A | | 8405/5 | 86/5/10 | 0,22 | |
|  <p>8403 Ammeter □ 72 mm</p> <p>D4467P</p> | direct measuring | 0 – 0,04/0,08A | 2 times | 8403/1–0,04/0,08 | 82/0,04/0,08 | 0,21 |
| | | 0 – 1/2A | | 8403/1–001/002 | 82/1/2 | 0,21 |
| | | 0 – 1,5/3A | | 8403/1–1,5/003 | 82/1,5/3 | 0,21 |
| | | 0 – 2,5/5A | | 8403/1–2,5/005 | 82/2,5/5 | 0,21 |
| | | 0 – 4/8A | | 8403/1–004/008 | 82/4/8 | 0,21 |
| | | 0 – 10/20A | | 8403/1–010/020 | 82/10/20 | 0,21 |
| | | 0 – 15/30A | | 8403/1–015/030 | 82/15/30 | 0,21 |
| | | 0 – 25/50A | | 8403/1–025/050 | 82/25/50 | 0,21 |
| | 0 – 40/80A | 8403/1–040/080 | 82/40/80 | 0,21 | | |
| | for CT (plain scale) | sek. 1A | 2 or 5 times | 8403/1–001/002 | 82/1/2 | 0,21 |
| | sek. 5A | | 8403/1–005/010 | 82/5/10 | 0,21 | |
|  <p>8404 Voltmeter □ 72 mm</p> <p>D4468P</p> | direct measuring | 0 – 25 V | | 8404/25 | 79/25 | 0,21 |
| | | 0 – 40 V | | 8404/40 | 79/40 | 0,21 |
| | | 0 – 150 V | | 8404/150 | 79/150 | 0,21 |
| | | 0 – 250 V | | 8404/250 | 79/250 | 0,21 |
| | | 0 – 500 V | | 8404/500 | 79/500 | 0,21 |
| | | 0 – 600 V | | 8404/600 | 79/600 | 0,21 |
|  <p>Bezel</p> <p>D4471P</p> | Bezel | □ 64 mm (for ammeter 8405) | | 88 000 07 40 7 | 740 | 0,05 |
| | | □ 72 mm (for ammeter 8403 for voltmeter 8404) | | 88 000 01 45 7 | 145 | 0,07 |

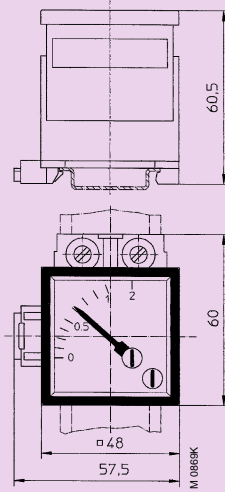
| Technical data | | |
|----------------------------|---|--|
| Instrument | Ammeter 8405/8403 | Voltmeter 8404 |
| Explosion protection | EEx e II T6/T5 T5: 8403, 40 A direct measuring | EEx e II T6 |
| Test certificate | PTB Nr. Ex-91.C.2012 U Other certificates: SZS (Yugoslavia), BKI (Hungary), FTZU (Czech Republic), SEV (Switzerland) | |
| Enclosure material | Polyester | Polyester |
| Rated insulation voltage | 690 V | 690 V |
| Current | AC 15 ... 100 Hz, DC available | |
| Movement | Moving iron | |
| Accuracy | Class 2,5 | |
| Scale 8404/8403 8405 | Quadrant scale Length 70,5 mm Length 40 mm | |
| Overload capacity | 2 x I _N 25 sec 50 x I _N 1 sec referred to full scale value of the range | 1,2 times continuous 2 times 60 sec |
| Fitting | on rail TS 35 or mounting plate | |
| Power consumption | max. 0,43 W | max. 2,1 VA |
| Ambient temperature | - 15° C ... + 40° C | |
| Terminals | 2,5/4 mm ² flexible/solid | |
| Bezels | | |
| Material | Glass – polyester | |
| Degree of protection | IP 66 | |
| Gasket | Neoprene | |
| Impact strength | ≥ 7 Nm | |
| Sizes | <input type="checkbox"/> 64 mm – 8405 <input type="checkbox"/> 72 mm – 8403 | <input type="checkbox"/> 72 mm – 8404 |

| Accessories and spare parts | | | | |
|---------------------------------|---|--|----------------------|-----------------------|
| Designation | Illustration | | | Ordering code |
| Slide-in scale for 8405/8403 |  | Measuring range – overload 2 times | 8405 | 84 056 02 69 0 |
| | | 0 ... 1; 1,5; 2,5; 5; 10; 15; 20; 25; 30; 40; 50; 60; 75; 100; 150; 200; 250; 300; 600 | 8403 | 84 036 02 69 0 |
| | | Measuring range – overload 5 times | 8405 | 84 056 01 69 0 |
| | | 0 ... 1; 2; 2,5; 5; 10; 15; 20; 25; 30; 40; 50; 60; 75; 100; 150; 200; 250; 300; 600; | 8403 | 84 036 01 69 0 |
| Mounting plate |  | for 8405 | for snap-on mounting | 84 408 05 29 0 |
| | | | for screw-mounting | 84 058 01 01 0 |

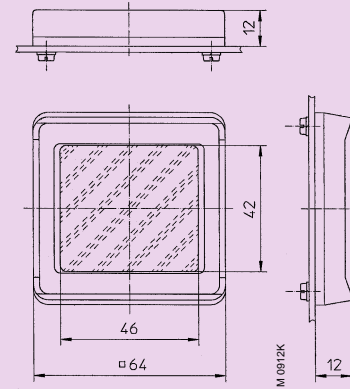
Dimensions, all dimensions in mm – subject to alteration



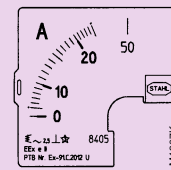
For screw-mounting with mounting plate



For snap-on mounting with mounting plate

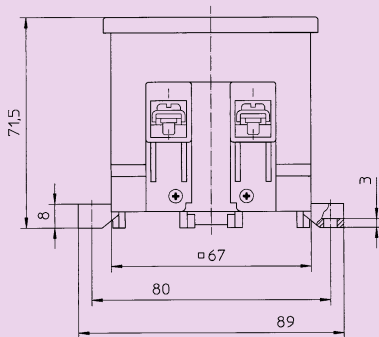


Bezel assembly 740

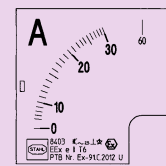


Slide-in scale for ammeters with CT

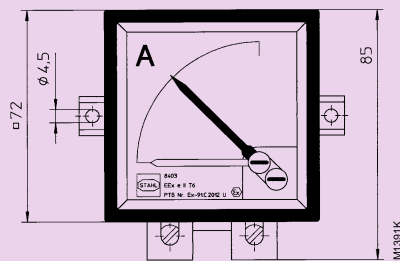
Ammeter 8405 Assembly 740



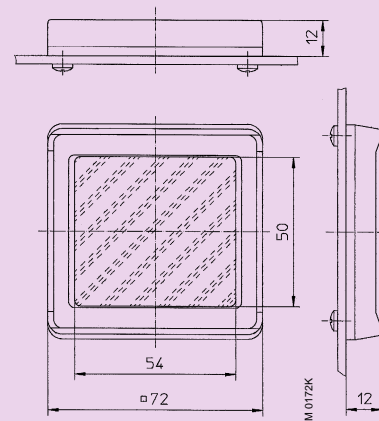
8403
Ammeter



Slide-in scale for ammeters with CT



Ammeter 8403 and Voltmeter 8404 with bezel assembly 145



Bezel assembly 145

