



Motor Connection and Control Station Series 8038/9


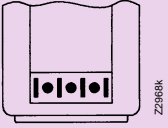
- Explosion protection to
 - CENELEC
 - IEC
- Can be used in Zone 1 and Zone 2
- Enclosure in polyamide
- Removable flange on underside of enclosure; provides a number of cable entry options

STAHLL

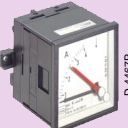
Motor connection control stations 8038 are suitable for motor connections of 1,5 mm² to 6 mm². The control part, control switch and measuring instrument are fitted in one enclosure and are used for local starting and monitoring of electrical motors.


Zone 1 and Zone 2

Selection table

Version	Description	Ordering code	Weight [kg]
 <p>8038/9 Motor connection control station</p>	 <p>with 3 motor looping terminals Ammeter → Control switch → Cable entries →</p>	<p>8038/9 – 1 – 170 – 0□ – □□□/□□□ – 16□/□□□ – 0□</p>	1,8

Add. to ordering code Add. assemblies for ammeter/control switch

Version	EEx-component	Measuring range	Overload scale	Assembly
 <p>8403 Ammeter</p>	<p>direct measuring</p>	<p>0 – 1/2 A 0 – 1,5/3 A 0 – 2,5/5 A 0 – 4/8 A 0 – 10/20 A 0 – 15/30 A 0 – 25/50 A</p>	2 times	<p>170 – 01 – 010/020 170 – 01 – 015/030 170 – 01 – 025/050 170 – 01 – 040/080 170 – 01 – 100/200 170 – 01 – 150/300 170 – 01 – 250/500</p>
	<p>see also 9/119</p>	<p>for CT with scale</p>	<p>sek. 1/2 A sek. 1/5 A sek. 5/10 A sek. 5/25 A</p>	<p>170 – 02 – 010/020 170 – 02 – 010/050 170 – 02 – 050/100 170 – 02 – 050/250</p>

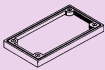

Version	EEx-component	Discs	Contact arrangement	Assembly
 <p>8008 Control switches</p>	<p>Control switch 8008</p>	<p>Z2861k or Z2862k</p>	<p>Z2855k</p>	<p>165/002</p>
	<p>see also technical data side 9/114</p>	<p>Z2867k or Z2868k</p>	<p>Z2856k</p>	<p>165/034</p>
		<p>Z2867k or Z2868k</p>	<p>Z2857k</p>	<p>165/038</p>
		<p>Z2864k or Z2865k</p>	<p>Z2858k</p>	<p>165/119</p>
		<p>Z2866k or Z2863k</p>	<p>Z2859k</p>	<p>165/124</p>

Cable entries	Compression glands 8161	Flange with compression glands				Assembly
		Pg 13,5	Pg 16	Pg 21	Pg 29	
		1	–	2	–	03
		–	1	2	–	04
		1	–	–	2	05
		–	–	1	–	07
		–	–	2	–	08
		undrilled				02



Technical data																
Explosion protection	EEx de IIC T6															
Test certificate	PTB Nr. Ex-82/1108 Other certificates: NEMKO (Norway), BKI (Hungary), SZS (Yugoslavia), FTZU (Czech Republic), SAA (Australia)															
Material Enclosure Metal flange	Polyamide Brass															
Cover fixing	M6, cheese head screws, stainless steel															
Rated voltage	690 V + 5 %, AC															
Rated current	Terminals max. 44 A															
Degree of protection	IP 65															
Ambient temperature	– 15° C ... + 40° C (– 15° C dependent on measuring instrument)															
Impact strength	≥ 7 Nm															
Terminals Ammeter Control switches Motor looping terminals	On shrouded terminals 2,5 mm ² flexible, direct on switch terminals 8038/9 – 1: 3 shrouded terminals 2,5 ... 6 mm ² solid															
Cable entries	see selection table															
Ammeter 8403 Movement Accuracy Permissible overload Range	Detailed technical data, see page 9/101 f. Moving iron Class 2,5 2 x I _N continuous 10 x I _N 25 sec 50 x I _N 1 sec Referred to full scale value of the range direct measuring or for CT n/1 A or n/5 A, see selection table															
Control switch 8008 Rated currency Switching capacity Switching arrangement	detailed technical data, see page 9/98 16 A, AC <table border="1"> <thead> <tr> <th>V ~</th> <th>220/230 240 V</th> <th>380/400 415 V</th> <th>500 V</th> <th>660/ 690 V</th> </tr> </thead> <tbody> <tr> <td>AC 11, cos φ = 0,7</td> <td>6 A</td> <td>6/5 A</td> <td>4 A</td> <td>2,5 A</td> </tr> <tr> <td>AC 3, cos φ = 0,7</td> <td>16 A</td> <td>16 A</td> <td>8 A</td> <td>4 A</td> </tr> </tbody> </table> Specify on order/see selection table	V ~	220/230 240 V	380/400 415 V	500 V	660/ 690 V	AC 11, cos φ = 0,7	6 A	6/5 A	4 A	2,5 A	AC 3, cos φ = 0,7	16 A	16 A	8 A	4 A
V ~	220/230 240 V	380/400 415 V	500 V	660/ 690 V												
AC 11, cos φ = 0,7	6 A	6/5 A	4 A	2,5 A												
AC 3, cos φ = 0,7	16 A	16 A	8 A	4 A												

Accessories and spare parts

Designation	Description	Ordering code
Flange	 <p>S 0256P in plastic in metal</p>	<p>80 380 02 49 0 80 389 09 49 0</p>
Labels	 <p>S 0257P PVC label for 20 letters Specify text</p> <p>Paper label with protective cover for marking as required</p>	<p>80 389 03 85 0 80 380 01 85 0</p>

Dimensions, all dimensions in mm – subject to alteration

