

Control Switches, 2-pole for Panel Mounting Series 8003, 8083

- Explosion protection to
 - CENELEC
 - IEC
 - NEC
- Can be used in Zone 1 and Zone 2
- Switch function
 - Freely selectable
 - Max. 2-pole
 - Latching and spring-return operation possible
- For max. 6 A
- With connection leads or terminals

STAHL

Mounting is extremely simple. The patented fixing mechanism makes insertion into switch panels with standard 30,5 mm diameter holes simple and fast.

Zone 1 and Zone 2

Selection table

Version

Switching options
(Examples)

Ordering code
with flexible lead 6 m
length

with terminals

Weight
[kg]



8003/5
Control switches, 2-pole
with flexible lead



8003/7
Control switches, 2-pole
with terminals



8003/5□□ – 002 – 6

8003/7□□ – 002

1,0/0,25



8003/5□□ – 005 – 6

8003/7□□ – 005

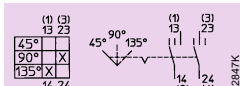
1,0/0,25



8003/5□□ – 016 – 6

8003/7□□ – 016

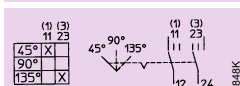
1,0/0,25



8003/5□□ – 025 – 6

8003/7□□ – 025

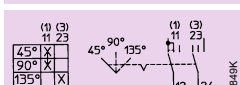
1,0/0,25



8003/5□□ – 027 – 6

8003/7□□ – 027

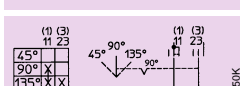
1,0/0,25



8003/5□□ – 032 – 6

8003/7□□ – 032

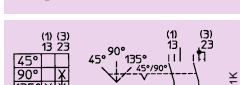
1,0/0,25



8003/5□□ – 034 – 6

8003/7□□ – 034

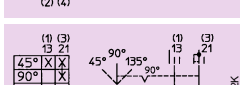
1,0/0,25



8003/5□□ – 038 – 6

8003/7□□ – 038

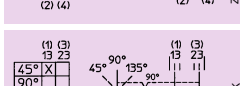
1,0/0,25



8003/5□□ – 039 – 6

8003/7□□ – 039

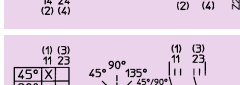
1,0/0,25



8003/5□□ – 040 – 6

8003/7□□ – 040

1,0/0,25



8003/5□□ – 047 – 6

8003/7□□ – 047

1,0/0,25



8003/5□□ – 051 – 6

8003/7□□ – 051

1,0/0,25

Add. ordering code

Actuator: cannot be padlocked
1 – can be padlocked

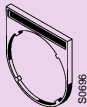

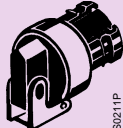


Note: other 2-pole switching combinations available with spring-return or latched positions

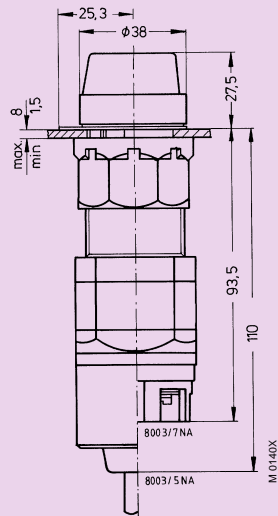
Technical data	
Control switches	8003/5 and 8003/7
Explosion protection with flexible lead with terminals	EEx d IIC T6 EEx de IIC T6
Test certificate with flexible lead with terminals	PTB Nr. Ex-84/1016 PTB Nr. Ex-84/1015 U Other certificates: BKI (Hungary), CSA (Canada), SEV (Switzerland), TÜV Vienna (Austria), FTZU (Czech Republic), FM (USA)
Material Enclosure/bezel	Polyester/Polyamide
Rated voltage	500 V, AC 21/DC 21
Rated current	6 A
Switching capacity to IEC 337-1	AC 11, 4 A, 500 V ~ DC 11, L/R = 100 ms, 0,4 A, 220 V –
Contacts	max. 2-pole, see selection table
Switching angle	4 x 45°, 2 x 90°
Life mechanical/electrical	> 10 ⁵ operations
Back-up fuse	see operating instructions
Ambient temperature	– 20° C ... + 40° C
Degree of protection	IP 65
Connection Flexible lead	4 x 1,5 mm ² (A05V V-F) with 3 or 6 m length Ø 8,5 ... 11,0 mm
Terminals	2 x 1,5 mm ² flexible
Actuators	a) round, Ø 38 mm, not lockable b) round, Ø 40,5 mm, lockable in one position by means of bracket, please note standard cut-out!

STAHL

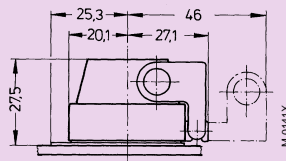
Accessories and spare parts

Designation	Description	Ordering code	Weight [kg]
Additional symbol disc	 <p>For actuators to fit standard Ø 30,5 mm holes: Label mount, size 1, without symbol disc. Specify symbol disc text Label mount, size 2, without symbol disc. Specify symbol disc text Additional label: plain Text options: HAND – 0 – AUTO OFF – □ – ON 0 – I I – II I – 0 – II 0 – I – II 0 – Operation – I 0 – □ – I 0 – I</p>	86 029 04 80 0 86 028 07 80 0	
Actuator	 <p>Cannot be locked</p>	80 030 01 16 0	0,02
	 <p>1– can be padlocked</p>	80 030 02 16 0	0,03

Dimensions, all dimensions in mm – subject to alteration

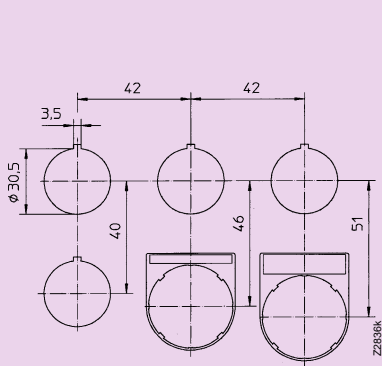


8003/5 and 8003/7
Control switch

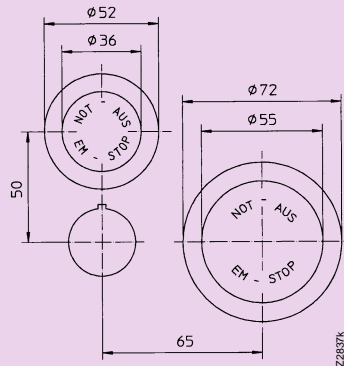


Lockable actuator

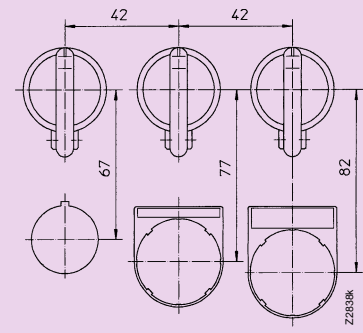
Mounting instruction, all dimensions in mm – subject to alteration



Standard cut-out with/without front label



Standard cut-out for EM-STOP button



Standard cut-out with/without front labels for control switches

