



Coupler Sockets Series 8575/16, 8578/16

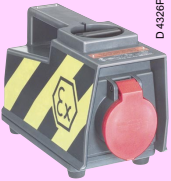
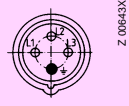
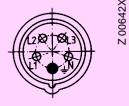
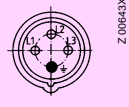

- Explosion protection to
 - CENELEC
 - IEC
 - NEC
- Can be used in Zone 1 and Zone 2
- Available versions
 - 16 A: 8575/16
 - 32 A: 8578/16
- Enclosure
 - of robust polyester resin
 - with large carrying handle
 - with feet for free positioning
- With integral switch socket

STAHL

Coupler sockets 8575/16 are used for extension cables between sockets and electrical equipment. The improved arrangement of the bush carrier in the enclosure makes the resistance to contamination and resulting damage.

Zone 1 and Zone 2

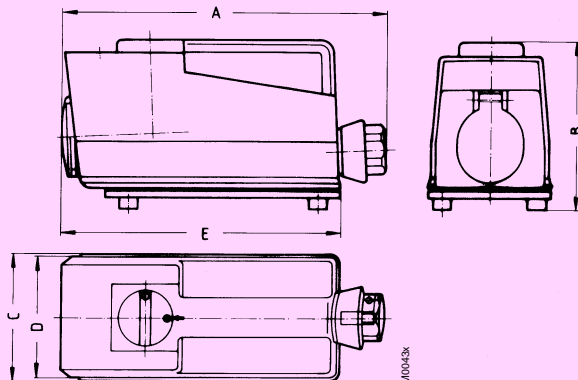
Selection table

Version	Voltage [V]	Number of pins	Colour	Frequency [Hz]	h	Ordering code	Weight [kg]	
16 A Coupler socket 	110 – 130	 4 P (3 P + \perp)	yellow	50/60	4	8575/16-404	2,0	
	220 – 240		blue	50/60	9	8575/16-409	2,0	
	380 – 415		red	50/60	6	8575/16-406	2,0	
	500		black	50/60	7	8575/16-407	2,0	
	660 – 690		black	50/60	5	8575/16-405	2,0	
	110 – 130		 5 P (3 P + N + \perp)	yellow	50/60	4	8575/16-504	2,0
	127 – 240			blue	50/60	9	8575/16-509	2,0
	220 – 415			red	50/60	6	8575/16-506	2,0
	500			black	50/60	7	8575/16-507	2,0
	660 – 690			black	50/60	5	8575/16-505	2,0
110 – 130	 4 P (3 P + \perp)	yellow		50/60	4	8578/16-404	3,5	
220 – 240		blue	50/60	9	8578/16-409	3,5		
380 – 415		red	50/60	6	8578/16-406	3,5		
500		black	50/60	7	8578/16-407	3,5		
660 – 690		black	50/60	5	8578/16-405	3,5		
110 – 130		 5 P (3 P + N + \perp)	yellow	50/60	4	8578/16-504	3,5	
127 – 240	blue		50/60	9	8578/16-509	3,5		
220 – 415	red		50/60	6	8578/16-506	3,5		
500	black		50/60	7	8578/16-507	3,5		
660 – 690	black		50/60	5	8578/16-505	3,5		

Technical data

Coupler sockets	8575/16, 16 A	8578/16, 32 A
Explosion protection	EEx de IIC T6	EEx de IIC T6
Test certificate	PTB Nr. Ex-82/1047	PTB Nr. Ex-82/1081
Enclosure material	Polyester	Polyester
Rated voltage	> 50 V ... 690 V	> 50 V ... 690 V
Rated current	16 A	32 A
Number of pins	3 P + \perp 3 P + N + \perp	3 P + \perp 3 P + N + \perp
Further technical data	See socket 8575/11 Page 8/36	See socket 8578/11 Page 8/36
Cable glands	21 mm cable diameter	28 mm cable diameter

Dimensions, all dimensions in mm – subject to alteration



Type	A	B	C	D	E
8575/16 16 A	290	164	115	108	250
8578/16 32 A	347	181	135	130	301

8575/16
Coupler socket