



## Portable Lamps Series 6145

- Explosion protection to
  - CENELEC
  - IEC
- Can be used in Zone 1 and Zone 2
- With or without emergency light function
- Robust, easy-to-maintain design
- 3-position switch
  - Half strength
  - Full strength
  - OFF
- Residual charge indicator
- Deep discharge protection
- Maintenance-free, long-life NiCD battery
- Narrow or wide beam reflectors

### Selection table

Version	Description	Ordering code	Weight [kg]
<b>6145</b> Portable lamp	Portable lamp <b>without</b> emergency light function *	<b>6145/3-64</b>	1,2
	Portable lamp <b>with</b> emergency light function *	<b>6145/4-64</b>	1,2

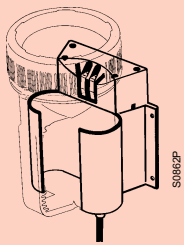
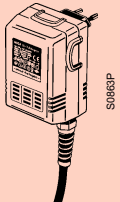

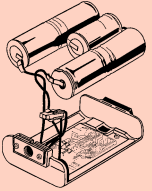
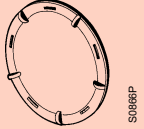
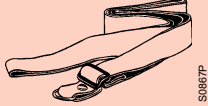
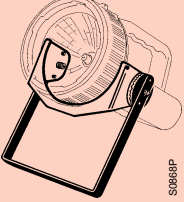

\* complete with battery and lamp

Note: This lamp is supplied without charging unit and power pack, please order as accessories!



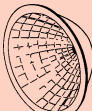
# Zone 1 and Zone 2

Technical data		
Explosion protection	EEx e ib II B T4	
Test certificate	6145/3-64 VTT No. Ex-98.D.023 6145/4-64 VTT No. Ex-98.D.024 other certificates: BKI (Hungary); SZS (Yugoslavia), FTZU (Czech Republic), SEV (Switzerland)	
Enclosure	Moulded plastic, antistatic	
Degree of protection	IP 66	
Lamp	Krypton lamp 3,3 W	
Light aperture	Ø 100 mm	
Reflector	Standard: Spot light Special: wide beam reflector (spot-light with ambient light)	
Material	Mirror finish aluminium reflector	
Switch	3-position switch, Half / Full / OFF	
Life per charge	Half strength	Full strength
	12 h	8 h
Elektronics		
Residual charge indicator	At 5 ... 10% residual charge in battery, lamp flashes at 15 second intervals. Remaining operating time is between 10 and 30 minutes - depending on light intensity and battery condition.	
Deep discharge protection	Automatic switch-off before deep discharge	
Battery	NiCd; 6 V; 4,4 Ah	
Ambient temperature	- 20 °C ... + 40 °C	
Portable lamp with emergency light function 6145/4-64	On power failure, this lamp, when parked in its charging unit, automatically comes on and illuminates the surroundings. A green LED on the enclosure indicates readiness for operation.	
Charging unit	for fixed mounting outside Ex-area <b>Note:</b> Mounting and battery charging are allowed only outside explosion risk area!	
Enclosure	Aluminium, painted	
Function	Charging starts when lamp is inserted in to charging unit Green LED (charging indicator): ON	
Charging	When fully charged, charging unit switches to trickle charge, which keeps battery fully charged. Green LED indicator flashes	
Charging time	9 ... 10 h	
Supply voltage	12 ... 30 V, DC	
Charging current	600 mA	
Trickle charging current	190 mA	
Ambient temperature	0 °C ... + 40 °C	
Mains supply unit (680 666 0)	Input	230 V, AC
	Output	12 - 30 V, DC

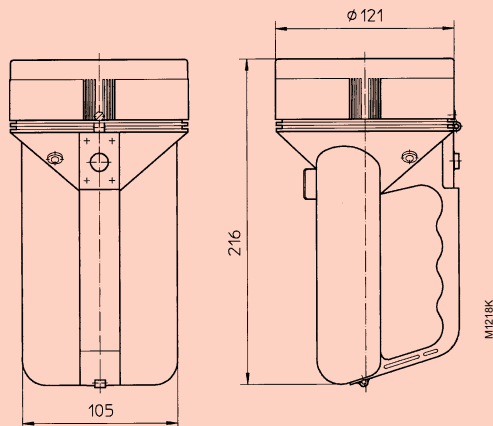
## Accessories and spare parts

Designation	Illustration	Description	Ordering code
Charging unit		6145/94: Without mains unit; 12 ... 30 V, DC 6145/95: With mains unit; 230 V, AC / 50 Hz	<b>61 450 04 02 0</b> <b>61 450 05 02 0</b>
Mains supply unit		Mains unit; 230 V, AC / 50 Hz for connection to charging unit	<b>680 666 0</b>
Supply lead		12/24 V, DC; supply lead 3 m long; to connect to charging unit to a vehicle battery	<b>385 638 0</b>
Battery pack		4,4 Ah; NiCd, gas-tight battery (supplied)	<b>672 602 0</b>
Diffusing lens		<b>red</b> ; can be placed on lamp front	<b>385 632 0</b>
Carrying strap		Shoulder length carrying strap, which can be fitted to existing eyelets	<b>385 633 0</b>
Support		To support lamp on an even surface, easy 'ratchet' angle adjustment	<b>385 631 0</b>
Filament lamp		Krypton lamp; 6 V; 3,3 W P13.5s	<b>512 661 0</b>

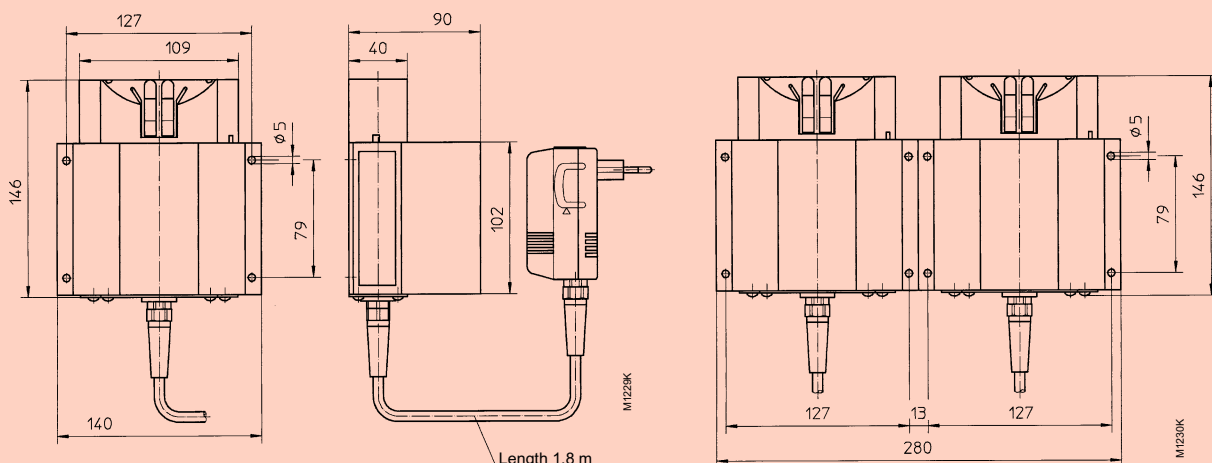
**Accessories and spare parts (Continuation)**

Designation	Illustration	Description	Ordering code
Glass lens	 50871P	Ø 110 mm	<b>385 635 0</b>
O-ring seal	 50871P	for glass lens	<b>515 820 0</b>
Reflector	 50872P	Parabolic reflector (mirror finish aluminium) Standard: narrow beam (spotlight/narrow cone) Special: wide beam (faceted reflector) (for spotlight <b>with</b> ambient light)	<b>385 637 0</b> <b>385 634 0</b>

**Dimensions (in mm)**



Portable lamp 6145/3-64



2 charging units 6145/9.,  
positioned side by side

Charging unit 6145/94 without mains unit,  
6145/95 with mains unit