



Light Fittings for Fluorescent Lamps Series EXLUX 6400

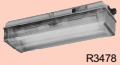

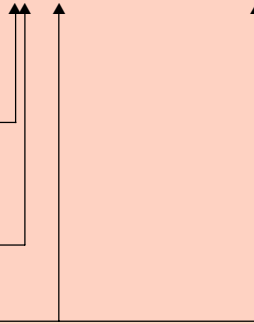
- Can be used in Zone 2
- As pendant or pole-mounted fittings
- With electronic ballast
- For two-pin lamps
1- or 2-lamp versions:
18 W, 36 W, 58 W
- Central locking
- Enclosure in polyester resin;
cover in polycarbonate

STAHL

Series **EXLUX 6400** light fittings can be used for normal lighting, but also as group- or centrally-supplied emergency lights.

Zone 2

Selection table

Version	Lamps	Connection	Rated voltage	Ordering code		Weight [kg]			
				Standard fitting	Pole-mounting fitting				
with electronic ballasts for two-pin fluorescent lamps									
 6400 Pendant light fittings (standard) (Zone 2)	1 x 18 W	EVG	220 V - 254 V 50/60 Hz	6400/521-8□□0	6400/821-8080	4,1 / 6,3			
	2 x 18 W	EVG		6400/522-8□□0	6400/822-8080	4,2 / 6,4			
	1 x 36 W	EVG		6400/541-8□□0	6400/841-8080	6,9 / 9,1			
	2 x 36 W	EVG		6400/542-8□□0	6400/842-8080	7,0 / 9,2			
	1 x 58 W	EVG		6400/561-8□□0	–	8,7 / –			
	2 x 58 W	EVG		6400/562-8□□0	–	8,8 / –			
 6400 Pole-mounting light fitting (Zone 2)	Add. to ordering code								
	Through wiring						6400/...-0..		
	without						6400/...-5..		
	with 5 cores								
Cable entries			6400/...-1..						
Standard M25 x 1,5			6400/...-9..						
Special version: state when ordering									
Rated voltage and frequency: state when ordering									

Note: These fittings are supplied without tubes. They must be ordered separately!

Technical data

Explosion protection	Ex n A II T4												
Test certificate	TÜV No. 08/220/1038/5												
Lamps	1 x 18 W, 2 x 18 W, 1 x 36 W, 2 x 36 W, 1 x 58 W, 2 x 58 W												
Standard fitting	1 x 18 W, 2 x 18 W, 1 x 36 W, 2 x 36 W												
Pole-mounting fitting	Two-pin fluorescent lamps Ø 26 mm / socket G13												
Rated voltage	AC: 220 V - 10% ... 254 V + 6%, 50/60 Hz DC: 198 V - 10% ... 250 V + 10%												
Working frequency	ca. 30 kHz												
Rated current	<table border="1"> <tr> <td>1 x 18 W</td> <td>2 x 18 W</td> <td>1 x 36 W</td> <td>2 x 36 W</td> <td>1 x 58 W</td> <td>2 x 58 W</td> </tr> <tr> <td>0, 1 A</td> <td>0,18 A</td> <td>0,18 A</td> <td>0,33 A</td> <td>0,25 A</td> <td>0,48 A</td> </tr> </table>	1 x 18 W	2 x 18 W	1 x 36 W	2 x 36 W	1 x 58 W	2 x 58 W	0, 1 A	0,18 A	0,18 A	0,33 A	0,25 A	0,48 A
1 x 18 W	2 x 18 W	1 x 36 W	2 x 36 W	1 x 58 W	2 x 58 W								
0, 1 A	0,18 A	0,18 A	0,33 A	0,25 A	0,48 A								
Cover lock	Central locking with socket spanner M8/SW13; Cover is hinged for access												
Cable entries	Standard: 1 cable gland 8161, M25 x 1,5 and 2 plugs 8290, M25 x 1,5 Special: 8161, 8290: PG16, M20 Metal cable glands Metal gland earthing via metal adapter plates												
Standard fitting	with factory mounted pole mounting sleeve: 1 cable gland 8161 M32 x 1,5 for later added pole mounting sleeve: use cable glands of standard fitting												
Pole-mounting fitting													
Protection class	I (with internal PE connection terminal)												
Degree of protection	IP 66 / IP 67												
Dimensions	see page 7/14												
Further technical data	for material, light guide, connection, installation, luminous intensity distribution see EXLUX 6000												