

Compact Light Fittings Series C-LUX 6100

- Can be used in Zone 1 and Zone 2
- With electronic ballast
- For fluorescent lamps 8 W, dia. 16 mm, with two-pin base G5
- Suitable for wall or ceiling mounting
- Can be fitted to order with emergency exit signs
- Central locking
- All-pole disconnection via N/C switch when cover is opened
- Enclosure in polyester resin; cover in polycarbonate

STAHL

Series **C-LUX 6100** compact light fittings can be used for normal lighting, but also as notice fittings or as group- or centrally-powered emergency lights.

Zone 1 and Zone 2

Selection table

Version	Lamps	Electronic ballasts	Rated voltage	Ordering code	Weight [kg]
C-LUX 6100 Compact light fittings with 2 pin G5 holders for Zone 1 and Zone 2	1 x 8 W	1	AC (50 / 60 Hz) 220 V - 10% ... 254 V + 6%,	6100/1081-80 □1-□□	2,4
	2 x 8 W	1	DC 198 V - 10% ... 250 V +10%	6100/1082-80 □1-□□	2,5
		2		6100/1082-90 □1-□□	2,9
	3 x 8 W	1		6100/1083-80 □1-□□	2,6
		2		6100/1083-90 □1-□□	3,0


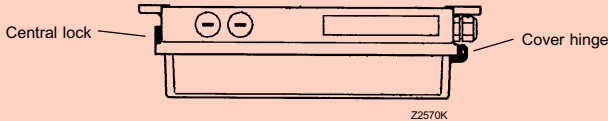
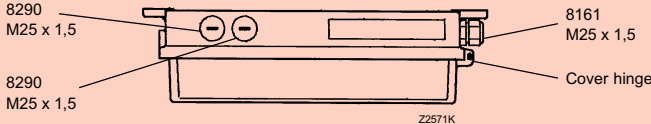
Add. to ordering code

Cable entries	Standard:	1 x Cable gland M25 x 1,5 2 x Plugs M25 x 1,5	1
	Special:	specify non-standard entries in writing.	9
Emergency exit	needed only when used as information lights or escape sign lights; With adhesive symbols positioned as follows:		
Mounting position			
Standard	Please specify other positions in writing		
Special:	Please specify other positions in writing		□□
Please specify emergency exit sign number (see below)			

Emergency exit signs Symbol complying with VGB 125, DIN 4844, DIN 5035; recognition distance e = 30 m; size 150 mm x 355 mm

Illustration	Colours Sign			Background		Order No. suffix: Emergency exit sign No.
	white	green	red	white	green	
Z2579K	X				X	60
Z2574K	X				X	61
Z2578K	X				X	62
Z2577K	X				X	91
		X		X		71
			X	X		81
Z2578K	X				X	92
		X		X		72
			X	X		82
Z2579K	X				X	90
		X		X		70
			X	X		80
Z2580K	X				X	93
		X		X		73
			X	X		83

Notes: Compact light fittings can be operated as emergency lighting via a group or central battery system; fittings are supplied without lamps, which must be ordered separately; further escape and information signs available on request.

Technical data					
Marking	CE				
Explosion protection	 II 2 G Ex eds IIC T4				
Test certificate	PTB 97 ATEX 2119 other certificates: CSA (Canada), FTZU (Czech Republic)				
Lamps	1 x 8 W, 2 x 8 W, 3 x 8 W (Two-pin fluorescent lamps, 8 W, 16 mm diameter, for G5 holder)				
Ballast	Electronic ballast, single channel (fittings with 2 and 3 lamps can be supplied with one or two ballast units)				
Rated voltage	AC: 220 V - 10% ... 254 V + 6%; 50 Hz / 60 Hz DC: 198 V - 10% ... 250 V + 10%				
Number of lamps	1 x 8 W	2 x 8 W		3 x 8 W	
Electronic ballasts	1	1	2	1	2
Rated current	0,088 A	0,135 A	0,176	0,2 A	0,223A
Working frequency electronic ballast	30 kHz ... 35 kHz				
Ambient temperature	- 20 °C ... + 50 °C - 5 °C ... + 50 °C (Version 3 x 8 W with 1 electronic ballast)				
Material	glass fibre reinforced polyester resin; colour: white, similar to RAL 9010				
Enclosure	Polycarbonate				
Cover	Polyurethane; foamed into cover				
Gasket					
Protection class	I (with internal PE connection terminal)				
Degree of protection	IP 66 / IP 67				
Cover lock	Central locking using socket spanner M8/SW13; cover hinged for access; Power to electronic ballasts is disconnected when central lock is open.				
					
Light guides	Reflector painted white; Cover with prism structure providing directed light from fitting				
Connections	Terminal block in polyamide with cover				
Marking	L; N; PE				
Terminal size	2 x 4 mm ² for solid cores 2 x 2,5 mm ² for flexible cores				
Disconnection of light fitting on opening faulty lamp	Central locking device with safety interlock; switch 8080 with N/C contacts; when central lock is opened, voltage to ballast is disconnected on both poles; a safety interlock in switching mechanism prevents fitting from being reconnected while cover and central lock are open. If lamp is faulty power supply is automatically switched off by electronic ballast				
Cable entries Standard	1 cable gland 8161 in plastic, M25 x 1,5 and 2 plugs 8290 in plastic, M25 x 1,5				
					
Special	Other entries in moulded plastic or metal are available to order - details available on request.				

Continuation →

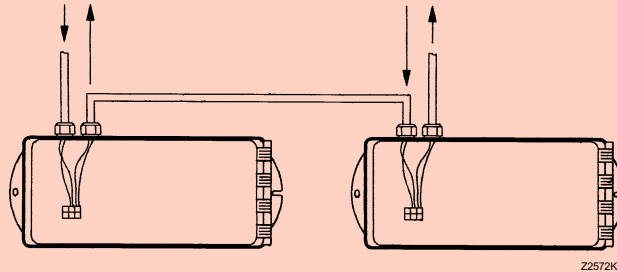
Technical data (Continuation)

Operating modes Mains operation for general lighting or as information lights.
Emergency light operation, supplied from group or central battery system for emergency or escape route lighting.

Installation notes

Mounting
Looping through of cables

Can be wall- or ceiling-mounted
2 leads can be connected to each terminal on the input side, making fittings suitable for looped connection.



Emergency exit signs

Use for information lights or escape route lighting

Material Foil, self-adhesive, printed with various pictograms in different colours

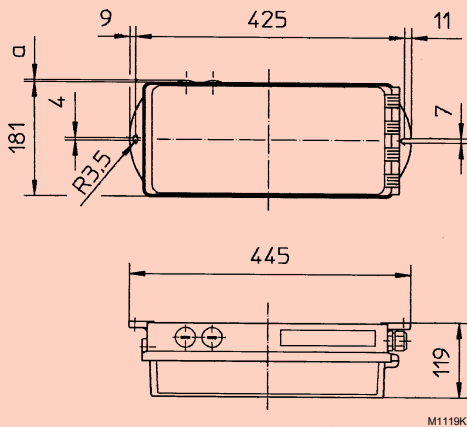
Mounting Foil, stuck to the cover externally

Options The emergency exit signs available are detailed in selection table on p. 7/3.

Recognition distance e = 30 m

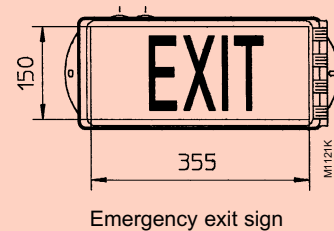
Dimensions see selection table p. 7/3.

Dimensions (in mm)



Additional dimensions
for cable entries 8161
and plugs 8290

	a [mm]
8161 M25 x 1,5	32
8290 M25 x 1,5	6



Emergency exit sign

Accessories and spare parts see page 7/9

