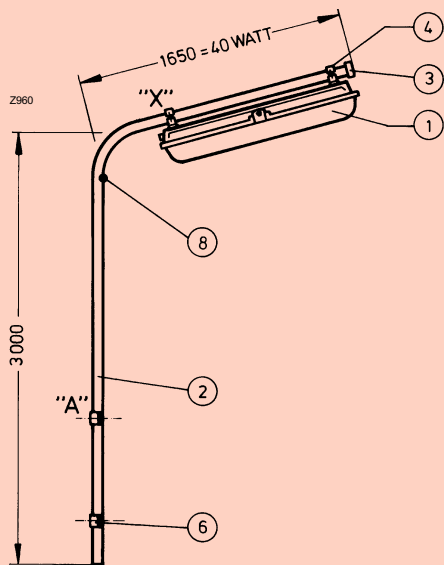
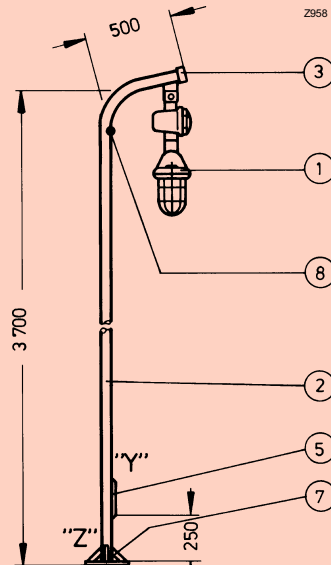


Lighting poles – Examples

We manufacture lighting poles to your specification. Examples are illustrated below, tailored to the appropriate type of light fitting, size and type of mounting. All steel parts are hot galvanized.

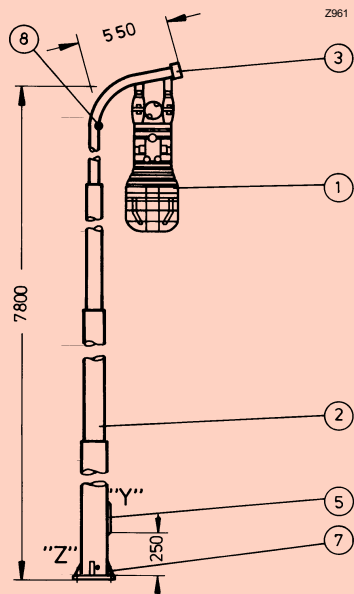


Lighting pole with pipe clamps



Lighting pole with foundation plate

Pos.	Description
1	Light fitting
2	Lighting pole
3	Plastic cap
4	Pipe clamp, Detail "X"
5	Mounting plate for junction box, Detail "Y"
6	Pipe clamp for lighting pole, Detail "A"
7	Foundation plate for lighting pole, Detail "Z"
8	Hole, with rubber grommet (M25) all steel parts are hot galvanized



High lighting pole with foundation plate

