

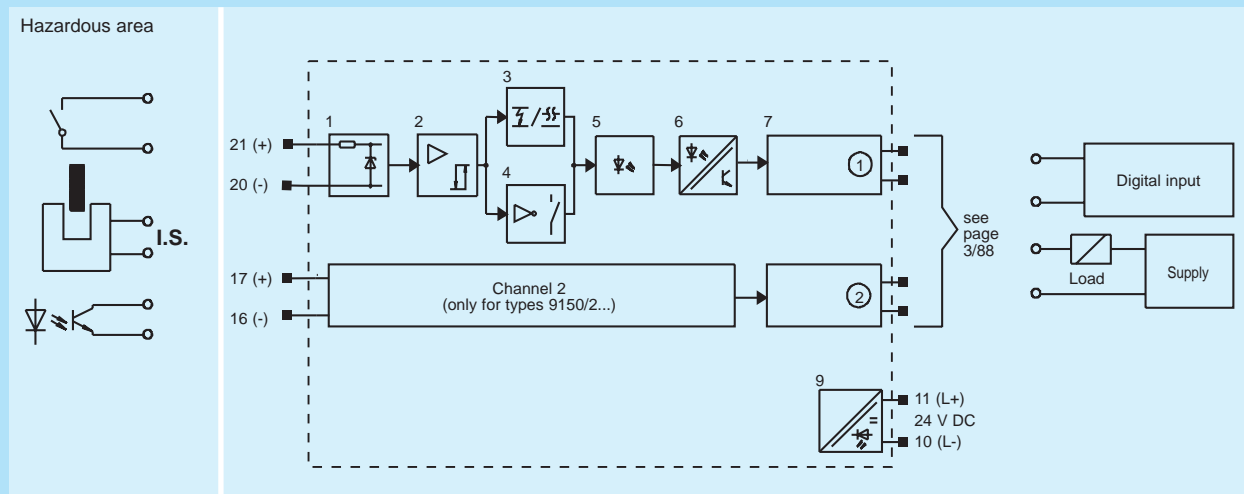
## I.S. Isolators (Modules) Switching Repeater Type 9150

- Intrinsically safe input [EEX ia] IIC
- Galvanic isolation between input, output and power supply
- Open-circuit/short-circuit monitoring (disconnectable)
- Operating mode can be set
- Transmission frequency up to 10 kHz
- Active or passive inputs
- EMC tested, CE marking

Basic function: binary/digital input, 1 and 2 channels.

The switching repeaters are suitable typically for intrinsically safe operation of contacts, proximity switches to DIN 19234 (NAMUR), optocoupler outputs, etc. They are also suitable for pulsed signals.

STAHL



<b>Selection table</b>			
Version	Output	Input	Ordering code
2 channels	Signal contact + Signal contact	NAMUR	<b>9150/20-11-10</b>
2 channels	Electronic + Signal contact	NAMUR	<b>9150/20-15-10</b>
1 channel	Electronic	NAMUR	<b>9150/10-14-10</b>
1 channel	Electronic	for voltage pulses	<b>9150/10-24-10</b>

<b>Safety data for input</b>	
Certifications	BVS (Europe, CENELEC), CSA (Canada), SEV (Switzerland), FTZU (Czech Republic), EVPU (Slovakia), FM (USA)
Marking	[EEx ia] IIC/IIB according to CENELEC
Classification	associated electrical apparatus

<b>Safe maximum values (CENELEC) per input</b>		
Types	<b>9150/0-1.-10</b>	<b>9150/10-24-10*</b>
Max. voltage $U_m$	10.6 V	10.6 V
Max. current $I_m$	29.7 mA	1.1 mA
Max power $P_m$	79 mW	3 mW
Max. capacitance $C_a$ for [EEx ia] IIC / IIB	2.5 $\mu$ F / 15 $\mu$ F	2,5 $\mu$ F / 15 $\mu$ F
Max. inductance $L_a$ for [EEx ia] IIC / IIB	40 mH / 150 mH	$C_{int} \leq 3nF$ 1 H / 1 H

\*) Type 9150/10-24-10 (passive input): only for connection to certified intrinsically safe circuits with  $U_m \leq 28$  V

Further information and combinations of values, see certifications



## I.S. Isolators (Modules) Switching Repeater Type 9150



### Technical data

#### Power supply

Rated voltage  $U_N$  24 V DC  
Voltage range 18..35 V DC

#### Types

9150/20-11-10	9150/20-15-10	9150/10-14-10	9150/10-24-10
---------------	---------------	---------------	---------------

Rated current (for $U_N$ ) $I_N$	42 mA	60 mA	25 mA	25 mA
Max. power consumption	1.0 W	1.45 W	0.6 W	0.6 W

Indication LED green  
Polarity reversal protection yes

#### Input

Types 9350/.0-1.-10: to DIN 19234 (NAMUR)  
Type 9350/10-24-10: for active sources/pulses  
Voltage for ON  $\leq$  6.5 V  
Voltage for OFF 7.5 V..24 V

#### Output

Contact load	AC	DC
Max. switching voltage	125 V	150 V
Max. switching current	0.5 A	0.5 A
Max. switching power	50 VA	25 W
Min. contact load (guideline)	1 V, 100 $\mu$ A	
Max. switching frequency	15 Hz	

#### Electronic output (short-circuit-proof):

Rated voltage 35 V  
Rated current 50 mA  
Switching frequency  $\leq$  10 kHz

#### Overview

	9150/20-11-10	9150/10-14-10 9150/10-24-10	9150/20-15-10
Channel 1 <span style="float: right;">①</span>			
Channel 2 <span style="float: right;">②</span>			

#### Open-circuit / short-circuit

to DIN 19234 (NAMUR), only for type 9350/.0-1.-10  
Output behavior on open-circuit or short-circuit OFF  
Monitoring disconnectable

STAHL

