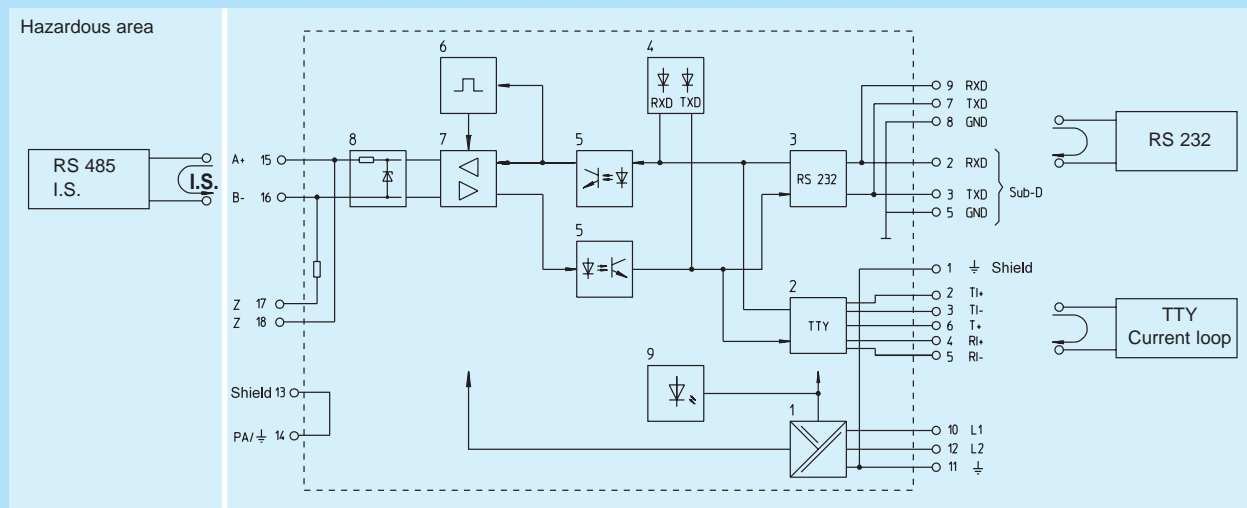


## I.S. Isolators (DIN Rail Mounting) Fieldbus Isolating Repeater Type 9373/11

- Intrinsically safe RS 485 fieldbus EEx ib IIC
- Transmission speed 9,6 and 19,2 kBit/s
- Galvanic isolation between RS 485, RS 232 / current loop and power supply
- Power supply 18 .. 40 V DC
- Installation in Zone 2 (Div 2) possible
- EMC tested, CE marking



Basic function: isolating repeater for communication signals  
The fieldbus isolating repeater is used to separate an intrinsically safe RS 485 fieldbus from a non intrinsically safe RS 232 or current loop interface.



Selection table	
Version	Ordering code
Fieldbus isolating repeater	9373 / 11 - 01 - 10

Safety data for input	
Certifications	PTB (Europe, CENELEC), FTZU (Czech Republic), SEV (Switzerland), FM (USA), CSA (Canada)
Marking Classification	[EEx ib] IIC/IIB according to CENELEC associated electrical apparatus
Safe maximum values (CENELEC)	
Max. voltage $U_0$	$\pm$ 3.72 V
Max. current $I_0$	122 mA
Max. power $P_0$	173 mW
Characteristic	trapezoidal
Max. input voltage $U_i$	$\pm$ 3.72 V
Max. capacitance $C_a$ for [EEx ib] IIC / IIB	200 $\mu$ F / 3000 $\mu$ F
Max. inductance $L_a$ for [EEx ib] IIC / IIB	2.5 mH / 9.6 mH
Further information and combinations of values, see certifications	

Technical data	
Power supply	
Rated voltage $U_N$	24 V DC 24 V $\pm$ 15 % AC
Voltage range	18...40 V DC
Residual ripple within voltage range	$\leq$ 5 $V_{SS}$
Rated current (for $U_N$ ) $I_N$	65 mA
Max. power consumption	1.6 W
Indication	LED green
Polarity reversal protection	yes
Signal transmission	
The information signal applied to the I.S. input/output is converted from an intrinsically safe RS 485 interface to a non-intrinsically safe RS 232 and current loop interface. Transmission rate 9.6 and 19.2 kBit/s, half-duplex.	
Input/output I.S.	
RS 485 to ISO 8482/DIN 66254 part 4, readjusted for intrinsically safe operation	can be switched upto 1200 m depending on the cable used preferably twisted pair, shielded screwed terminals
Terminating impedance	
Transmission line length	
Connection	
Input/output non I.S.	
RS 232 to CCITT V.28 / DIN 66259 part 1	15 m
Transmission line length	
Connection	9-way Sub-D connector and screwed terminals
Current loop to DIN 66348 part 1	20 mA          active and passive
Loop current	
Load	
Transmission line length	750 $\Omega$
Connection	up to 500 m depending on the cable used, preferably twisted pair, shielded screwed terminals
Dimensions (Casing type D), mechanical data, ambient conditions and accessories see page 3/58f.	

