

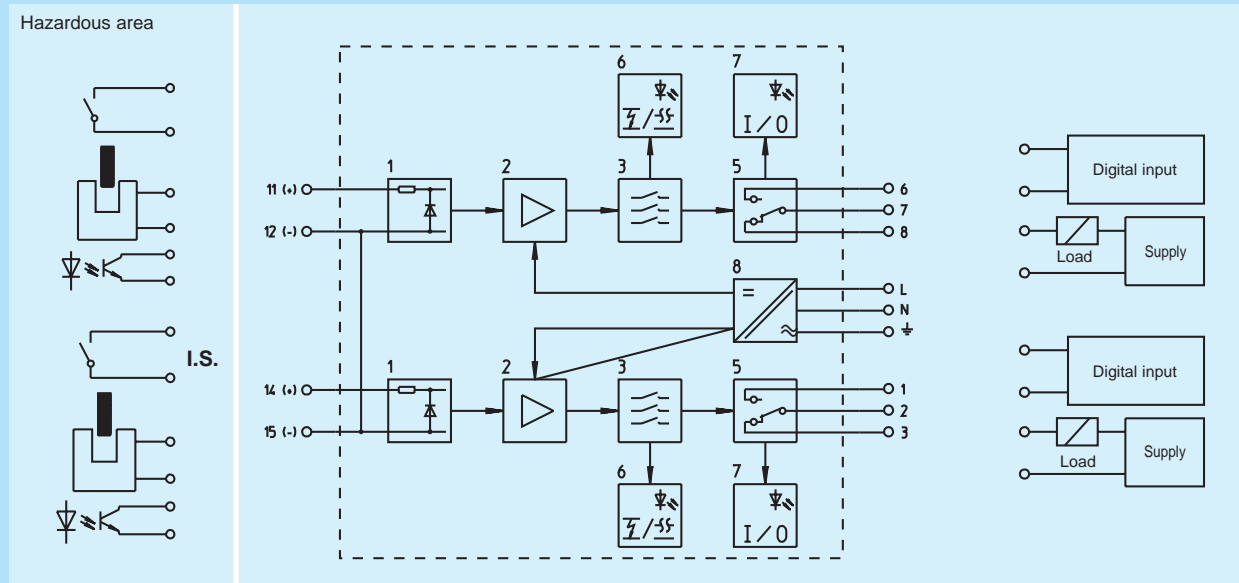
I.S. Isolators (DIN Rail Mounting) Switching Repeater Type 9251/02

- Intrinsically safe input [Ex ia] IIC
- Galvanic isolation between input, output and power supply
- Power supply AC
- Open-circuit and short-circuit monitoring, disconnectable
- Operating mode can be set
- 2 channels
- EMC tested, CE marking

Basic function: binary/digital input, 2 channels.

The switching repeaters are used for intrinsically safe operation of contacts, NAMUR proximity switches, optocoupler outputs etc.

STAHL



Selection table			
Version	Output	Power supply	Ordering code
2 channels	1 changeover contact/channel	115 V AC	9251 / 02 - 40
2 channels	1 changeover contact/channel	230 V AC	9251 / 02 - 60

Safety data for input	
Certifications	PTB (Europe, CENELEC), CSA (Canada), SEV (Switzerland), FTZU (Czech Republic), BKI (Hungary), RIIS (Japan), VNIIEF (Russia), FM (USA), UL (USA)
Marking	[EEx ia] IIC/IIB according to CENELEC
Classification	associated electrical apparatus
Safe maximum values (CENELEC)	
Max. voltage U_m	10.5 V
Max. current I_m	32 mA
Max. power P_m	84 mW
Max. capacitance C_a for [EEx ia] IIC / IIB	510 nF / 2000 nF
Max. inductance L_a for [EEx ia] IIC / IIB	5 mH / 5 mH
Further information and combinations of values, see certifications	

Technical data		
Power supply		
Rated voltage U_N	115 V	230 V
Voltage range	100..140 V	190..255 V
Frequency range	48 .. 62 Hz	48 .. 62 Hz
Rated current (for U_N)	$I_N \leq 17$ mA	9 mA
Max. power consumption	2.5 VA	2.5 VA
Input		
Complies with NAMUR or DIN 19234		
Output		
Contact rating DC:	$L/R=50ms$	$L/R=50ms$
Switching voltage	≤ 24 V	220 V
Switching current	≤ 2 A	0.1 A
Contact rating AC ($\cos\phi \geq 0,7$):		AC11
Switching voltage	≤ 250 V	230 V
Switching current	≤ 2.0 A	2.0 A
Switching current with F4.0/C 250 back-up fuse	≤ 4.0 A	3.s0 A
Switching frequency	≤ 15 Hz	15 Hz
Open-circuit		
Output behavior on open-circuit or short-circuit	OFF	
Dimensions (Casing type E), mechanical data, ambient conditions and accessories see page 3/58f.		

