

LED indication open-circuit/  
short-circuit (channel 1)

LED indication  
switching state (channel 1)

Switches for setting  
operating mode

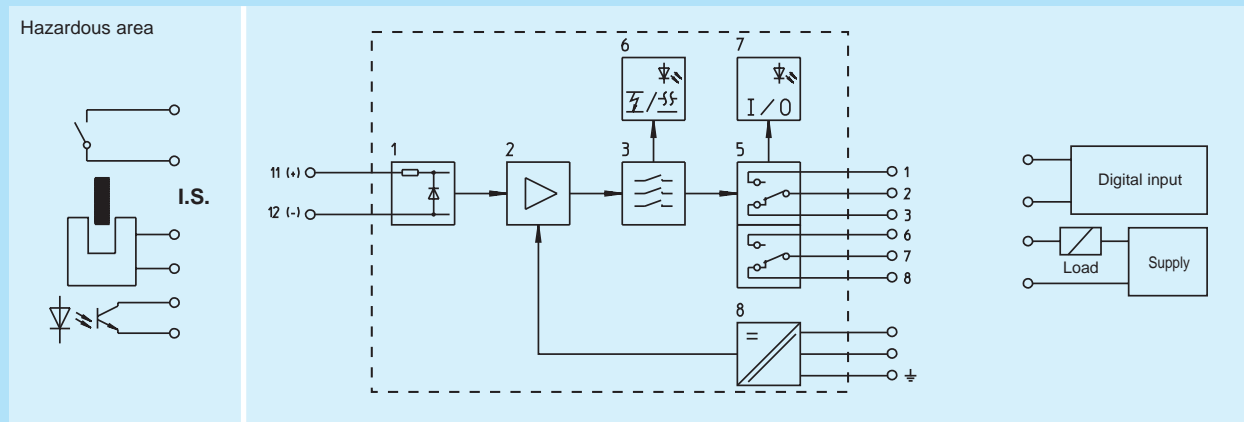
## I.S. Isolators (DIN Rail Mounting) Switching Repeater Type 9251/01

- Intrinsically safe input [IEEx ia] IIC
- Galvanic isolation between input, output and power supply
- Power supply AC
- Open-circuit and short-circuit monitoring, disconnectable
- Operating mode can be set
- Output with 2 changeover contacts
- EMC tested, CE marking



Basic function: binary/digital input, 1 channel.

The switching repeaters are used for intrinsically safe operation of contacts, NAMUR proximity switches NAMUR, optocouplers outputs, etc.



Selection table			
Version	Output	Power supply	Ordering code
1 channel	2 changeover contacts	115 V AC	9251 / 01 - 40
1 channel	2 changeover contacts	230 V AC	9251 / 01 - 60

Safety data for input	
Certifications	PTB (Europe, CENELEC), CSA (Canada), SEV (Switzerland), FTZU (Czech Republic), BKI (Hungary), RIIS (Japan), VNIIEF (Russia), FM (USA), UL (USA)
Marking	[EEx ia] IIC/IIB according to CENELEC
Classification	associated electrical apparatus
Safe maximum values (CENELEC)	
Max. voltage $U_m$	10.5 V
Max. current $I_m$	32 mA
Max. power $P_m$	84 mW
Max. capacitance $C_a$ for [EEx ia] IIC / IIB	510 nF / 2000 nF
Max. inductance $L_a$ for [EEx ia] IIC / IIB	5 mH / 5 mH
Further information and combinations of values, see certifications	

Technical data		
Power supply		
Rated voltage $U_N$	115 V	230 V
Voltage range	100..140 V	190..255 V
Frequency range	48 .. 62 Hz	48 .. 62 Hz
Rated current (for $U_N$ )	$I_N \leq 17$ mA	9 mA
Max. power consumption	2.5 VA	2.5 VA
Input		
Complies with NAMUR or DIN 19234		
Output		
Contact rating DC:	$L/R=50ms$	$L/R=50ms$
Switching voltage	$\leq 24$ V	220 V
Switching current	$\leq 2$ A	0,1 A
Contact rating AC ( $\cos\phi \geq 0.7$ ):		AC11
Switching voltage	$\leq 250$ V	230 V
Switching current	$\leq 2.0$ A	2.0 A
Switching current with back-up fuse F4.0/C 250	$\leq 4.0$ A	3.0 A
Switching frequency	$\leq 15$ Hz	15 Hz
Open-circuit		
Output behavior on open-circuit or short-circuit	OFF	
Dimensions (Casing type E), mechanical data, ambient conditions and accessories see page 3/58f.		

