

LED indication switching state

LED indication open-circuit

Switches for setting operating modes

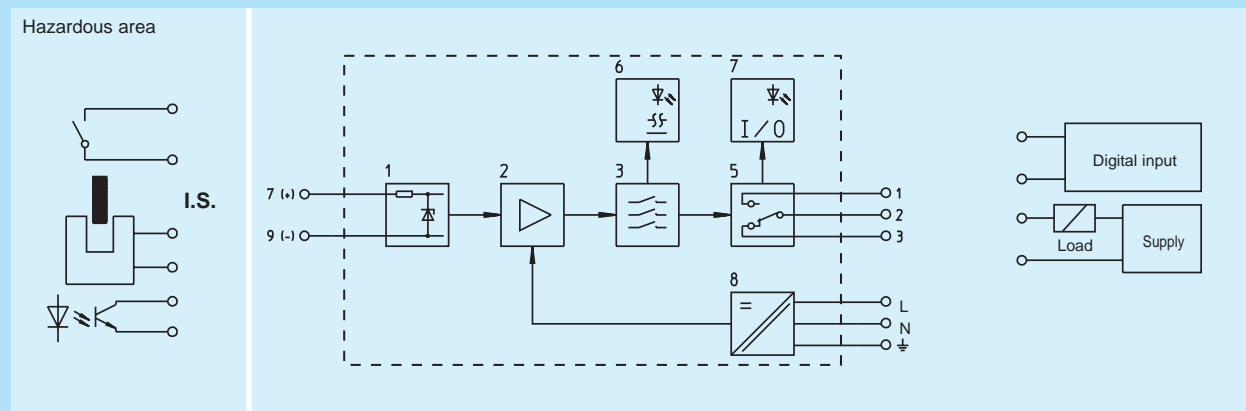
I.S. Isolators (DIN Rail Mounting) Switching Repeater Type 9250

- Intrinsically safe input [EEx ia] IIC
- Galvanic isolation between input, output and power supply
- Power supply AC
- Open-circuit monitoring, disconnectable
- Operating mode can be set
- Output relay, 1 changeover contact
- EMC tested, CE marking



Basic function: binary/digital input, 1 channel.

The switching repeaters are used for the intrinsically safe operation of contacts, NAMUR proximity switches, optocouplers outputs, etc.



Selection table			
Version	Output	Power supply	Ordering code
1 channel	1 changeover contact	115 V AC	9250 / 01 - 40
1 channel	1 changeover contact	230 V AC	9250 / 01 - 60

Safety data for input	
Certifications	PTB (Europe, CENELEC), CSA (Canada), SEV (Switzerland), FTZU (Czech Republic), BKI (Hungary), RIIS (Japan), VNIIEF (Russia), FM (USA), UL (USA)
Marking	[EEx ia] IIC/IIB according to CENELEC
Classification	associated electrical apparatus
Safe maximum values (CENELEC)	
Max. voltage U_m	10.5 V
Max. current I_m	32 mA
Max. power P_m	84 mA
Max. capacitance C_a for [EEx ia] IIC / IIB	510 nF / 2000 nF
Max. inductance L_a for [EEx ia] IIC / IIB	5 mH / 5 mH
Further information and combinations of values, see certifications	

Technical data			
Power supply			
Types	9250/01-40	9250/01-60	
Rated voltage U_N	115 V	230 V	
Voltage range	100...140 V	190...255 V	
Frequency range	48...62 Hz	48...62 Hz	
Rated current	$I_N \leq 45$ mA	45 mA	
Max. power consumption	1.0 VA	1.0 VA	
Input			
Complies with NAMUR or DIN 19234			
Output			
Contact rating:	DC	DC	AC
Switching voltage	≤ 24 V	220 V	250 V
Switching current	≤ 2 A	0.1 A	4 A
Switching power	≤ 48 W	22 W	100 VA
Switching frequency	≤ 15 Hz	15 Hz	15 Hz
Open-circuit			
Output behavior on open-circuit	OFF		
Dimensions (Casing type A), mechanical data, ambient conditions and accessories see page 3/58f.			

