



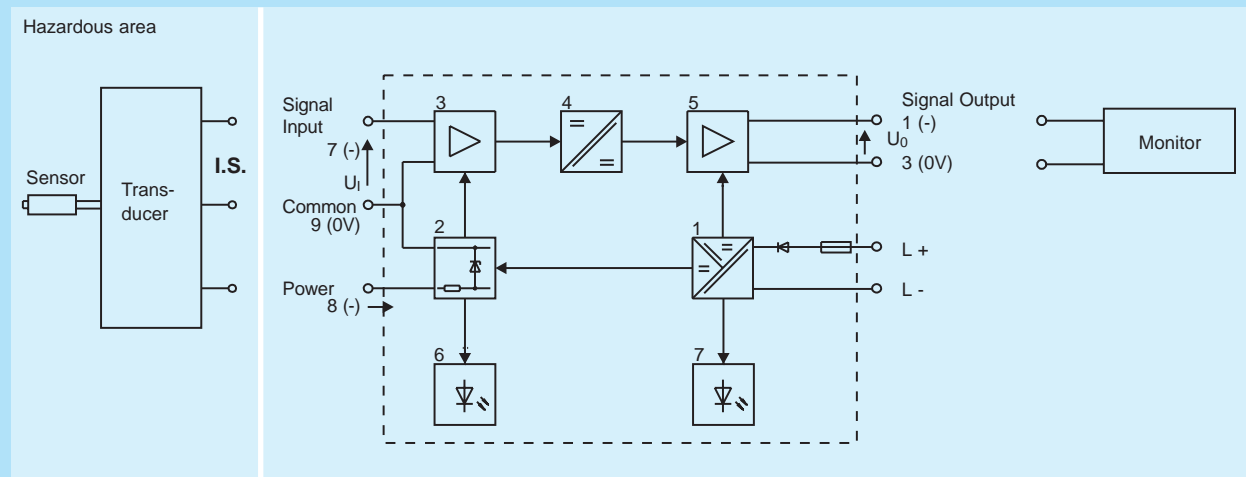
**I.S. Isolators
(DIN Rail Mounting)
Vibration Transducer
Repeater
Type 9307**

- Input and power supply intrinsically safe [EEx ia] IIC
- Measuring range 0.5 .. 20 V
- For frequencies from DC to 20 kHz
- Transducer power supply 18.7 V / 22 mA
- Galvanic isolation between field circuits, output and power supply
- Power supply 18 .. 35 V DC
- Particularly suitable for Bentley Nevada sensors
- Installation in Zone 2 (Div 2) possible
- EMC tested, CE marking

Basic function: analog input, 0 .. 20 V / 0 .. 20 kHz, transducer supply, 1 channel.

The isolating repeater is used for the intrinsically safe operation of vibration sensors, speed and acceleration sensors and others. Power is supplied to the transducer and the measuring signal (voltage) is transmitted galvanically isolated from the transducer to the output.

STAHL



Selection table	
Version	Ordering code
Vibration transducer repeater	9307 / 11 - 99 - 10

Safety data	
Certifications	BVS (Europe, CENELEC), FM (USA), CSA (Canada)
Marking	[EEx ia] IIC/IIB according to CENELEC
Classification	associated electrical apparatus
Safe maximum values (CENELEC)	
3-wire transducer	
Max. voltage U_m	26.5 V
Max. current I_m	112 mA
Max. power P_m	742 mW
Max. capacitance C_a for [EEx ia] IIC / IIB	95 nF / 730 nF
Max. inductance L_a for [EEx ia] IIC / IIB	1 mH / 7.2 mH
Voltage input (terminals 7 and 9 with $U_0 \leq 3.6$ V) for connection to certificated intrinsically safe inputs with $U_i \leq 30$ V	
Further information and combinations of values, see certifications	

Technical data	
Power supply	
Rated voltage U_N	24 V DC
Voltage range	18 .. 35 V
Rated current (for U_N , $I_E = 20$ mA) I_N	75 mA
Max. power consumption (for $I_S = 22$ mA)	1.8 W
Polarity reversal protection	yes
Signal transmission	
Voltage range (specified accuracy)	$U_0=U_i$ 0.5 .. 20 V
Response time (10 .. 90%) DC / delay	\leq 20 μ s / 5 μ s
Voltage input	
Input resistance	10 k Ω -1%/+5%
Transducer supply	
Transducer supply voltage ($I_S = 12$ mA / 22 mA)	\geq 22.2 V / 18.7 V
Internal resistance	\leq 300 Ω
Voltage output	
Load resistance (DC)	$R_L \geq$ 10 k Ω
Open-circuit and/or short-circuit	
Output behavior	$U_0 \leq$ 0.35 V
Error limits	
Tolerance band setting, in % of the measuring range (0,5 .. 20 V)	\leq 0.5 %
Linearity error DC for U_N , 23 °C	\leq 0.06 % / 10 K
Temperature effect	\leq 0.06 % / 10 K
Dimensions (casing type A), mechanical data, ambient conditions and accessories see page 3/58f.	

Engineering	
Some compatible transducers (Bently Nevada)	Some compatible monitors (Bently Nevada)
3300 Proximotor 8 mm (330 100)	3300/15 Dual Vibration Monitor
7200 Proximotor 5 & 8 mm (18745)	3300/16 Dual Vibration Monitor
Accelerometer interface module (23733-03)	3300/20 Dual Trust Position Monitor
Interface module for aeroderivatives (86517)	3300/25 Dual Acceleration Monitor
3300 REBAM MicroPROX (330600)	3300/26 Dual RMS Acceleration Monitor
7200 REBAM MicroPROX (40892)	3300/54 Dual REBAM Monitor
	3300/61 Dual Vector Monitor
	3300/80 Six ChannelRod Drop Monitor
	3300/05 Aeroderivative Filter Module / Vibration Monitor
	2201/03 Four Channel PLC Monitor

