

# Section PR

## PLUGS AND RECEPTACLES INDEX



### NEMA 4X

Introduction/Features .....2-5

Applications/Comparisons .....14-15



### VP/VR/VPR Series

30 amp .....6

### VP/VR/VPR Series

60 amp .....7



### VP/VR/VPR Series

100 amp .....8

### VP/VR/VPR Series

200 amp .....9



### HAZARDOUS LOCATIONS – INTERLOCKED

**VSQ (VWSQ Series NEMA 4)**  
Interlocked Switched Receptacles .....10



**VSQ-FS Series**  
Factory Sealed Receptacles .....11



**VBQ Series**  
Interlocked Breaker Protected Receptacles .....12-13



### HAZARDOUS LOCATIONS – INTERLOCKED I.E.C. CONFIGURED



**VSI Series**  
Plugs and Switched Receptacles .....16-18

**VCR Series**  
Clean Room Receptacles .....19

### HAZARDOUS LOCATIONS – DELAYED ACTION



**KR Series**  
Introduction .....20



**KR Series**  
20, 30 and 60 amp .....21-23

### ACCEPTOR® HAZARDOUS LOCATIONS – BLADE STYLE



**UGP/UGR Series**  
Plugs and Receptacles .....24-25  
Adapter, Grips and Handlamps .....26  
GFI Protected Receptacles .....26



**UGFI Series**  
Ground Fault Receptacles .....27



VR/VP



VSQ



VBQ

600 VAC/250VDC; 50-400 Hertz  
 NEMA 3, 4, 4X  
 Class I, Div. 1 & 2, Groups B,C,D;  
 NEMA 7 B,C,D<sup>Ⓢ</sup>  
 Class I, Zones 1 & 2, IIB+H<sub>2</sub>, IIA<sup>Ⓢ</sup>  
 Class II, Div. 1 & 2, Groups F & G;  
 NEMA 9 F,G<sup>Ⓢ</sup>  
 Class III<sup>Ⓢ</sup>



## FEATURES-SPECIFICATIONS

### NEMA 4X VersaMATE<sup>®</sup>

#### THE FIRST AND ONLY NEMA 4X RATED LINE OF METALLIC PLUGS & RECEPTACLES.

VersaMate<sup>®</sup> metallic pin & sleeve plugs & receptacles are designed for heavy duty industrial use. These devices supply power to both fixed and portable electrical equipment including pumps, generators, welders, vacuums, blowers and similar apparatus.

Suitable for indoor or outdoor use. Applications include the wet, cold, hosedown, hazardous or corrosive areas in such industrial applications as:

- Pulp & Paper Mills
- Electrical Power Plants
- Petrochemical Plants
- Wastewater Treatment
- Marine, Docks, Ports
- Construction Sites
- Breweries
- Refineries
- Chemical Plants
- Grain Facilities
- Textile Manufacturing
- Food Processing Facilities

#### Standard Materials:

Copper-free aluminum construction with electrostatically applied epoxy/polyester finish. Contacts are brass with a patented beryllium copper spring tensioner. External screws are 316 stainless steel.

#### Features:

The VersaMate product line includes 30, 60, 100 and 200 Amp plugs, receptacles and connectors with a full range of back boxes. Popular options include reverse service and polarization. The VersaMate line is **FULLY INTERCHANGEABLE<sup>Ⓢ</sup>** with UL1686 configured and listed devices such as Crouse-Hinds<sup>®</sup> Arktite<sup>®</sup> or Appleton<sup>®</sup> Powertite<sup>®</sup>. Standard location receptacle bolt hole patterns match competitive back boxes so users can upgrade to VersaMate without changing back boxes in instances where changing the conduit system is difficult.

<sup>Ⓢ</sup> VersaMate<sup>®</sup> components are UL classified and interchangeable with other UL 1686-C1 configured devices (when installed in accordance with instructions furnished with device). Assemblies containing components from other manufacturers would have the NEMA type rating of the lowest rated device.

<sup>Ⓢ</sup> See product pages for specific ratings.

Arktite<sup>®</sup> is a registered trademark of Crouse-Hinds<sup>®</sup>.

Powertite<sup>®</sup> is a registered trademark of Appleton<sup>®</sup>.

#### Plugs:

Octagonal style (Patented) for a firm and sure grip when connecting or disconnecting is featured on both plug and cable connector bodies. Insulators have high mechanical and dielectric strength and "Low Arc Tracking." "Increased Safety" type box terminals with gripper ribs securely clamp around conductors. Funneled conductor entry chambers lead all properly stripped conductors into terminals **simultaneously**. NEMA 4X rating when inserted into VersaMate receptacle and locking ring is tightened.



#### Receptacles:

Exclusive Patented "Breach-Lock" cap serves as either flip lid or screw cover. Receptacle is NEMA 3R with lid snapped shut or NEMA 4X with lid turned shut or when VersaMate plug is inserted and locking ring tightened. Patented notch in cap arm holds cap open for easy plug insertion or maintenance. Patented pin design uses slotted spring clip which avoids excessive wear while providing continuous electrical pin to sleeve contact. VersaMate<sup>®</sup> receptacles use the same "Increased Safety" terminals and funnel design as VersaMate<sup>®</sup> plugs.



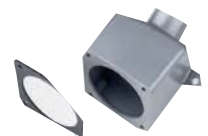
#### Cable Clamping Assembly:

Plugs and cable connectors are supplied with an exclusive neoprene "Onion Skin" peel-away type grommet. The VersaRange<sup>®</sup> cable clamp system captures cable with **four grip points** using **only two** tightening screws. Clamp guide assembly provides a firm fit over a wide range of cable diameters. Non-removable set screws prevent clamp guide assembly from backing out. Clamps have smooth contoured shoulder design to prevent snags or damage when moving equipment.



#### Back Boxes:

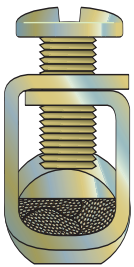
VersaMate back boxes come in a variety of mounting styles. Exclusive "blind" receptacle mounting holes prevent moisture from entering box via thread cavities. Boxes come with a green grounding screw.



**KILLARK<sup>®</sup>**



**FEATURES-SPECIFICATIONS**



"Increased Safety" type terminals reduce connection fatigue. Screws do not contact or machine conductor and are under spring tension to reduce loosening and pullout.

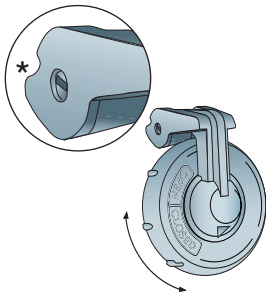
**TERMINALS**



Conventional screw type terminals. Screws "machine" (grind or fray) conductor. Screws are not under tension and more easily loosen from heating and cooling cycles or from vibration. Screws can fall out (and be lost) during initial shipment-requires reassembly.

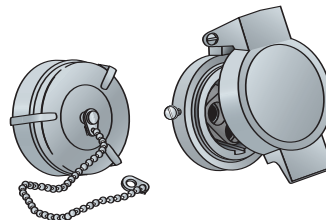
PR

**CAP**



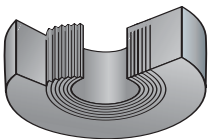
"Breech-Lock" design serves as both flip lid or screw cover style. Special notch in lid arm holds cover open to ease plug insertion or maintenance.

*\*Slip pencil or screwdriver into notch.*

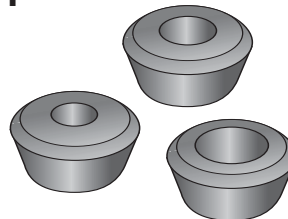


Conventional caps: user must choose between flip lid's convenience or screw cover's better sealing capabilities. Broken chains can mean lost covers.

**GASKET**

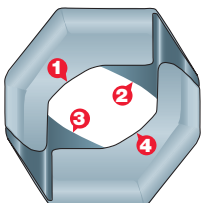


Exclusive "Onion Skin" style gasket assures a tight seal around cable. Skin layers are removed from a single gasket to adjust for various cable diameters.

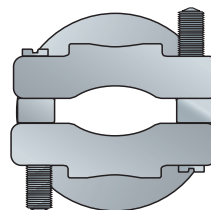


Multiple gaskets require trial & error sizing to be sure of best fit and seal.

**CABLE CLAMP**



Versatile range cable clamp system captures cable at four grip points using only two screws. Smooth contoured design avoids snags when moving equipment.



Standard clamps squeeze and pinch cable. Protruding screws snag or scratch when moving equipment. Other clamp systems with multiple screws are difficult to tighten evenly.

# EXCLUSIVE VersaMATE® FEATURES:

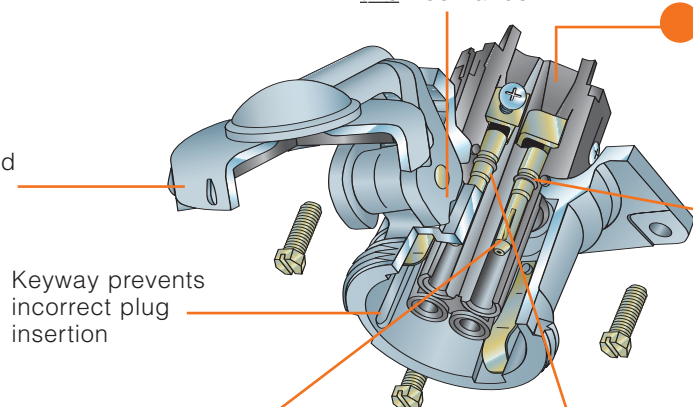
Key user needs were identified from “Focus Groups” comprised of Design Engineers, Contractors, and Maintenance Personnel. Input from these forums resulted in VersaMate’s unique features.

**P** **Patented** Exclusive “Breech-Lock” cap serves as either flip lid or screw cover

- NEMA 3R Rating: When receptacle cap is snapped shut
- NEMA 4X Rating: When receptacle cap is turned shut or with VersaMate® plug inserted and ring tightened

**P** **Patented** Special notch is designed to hold cap open for easy field service or plug insertion with two free hands

Funneled wiring chamber design for fast and accurate conductor insertion to speed assembly. All wires can be inserted **simultaneously**



Keyway prevents incorrect plug insertion

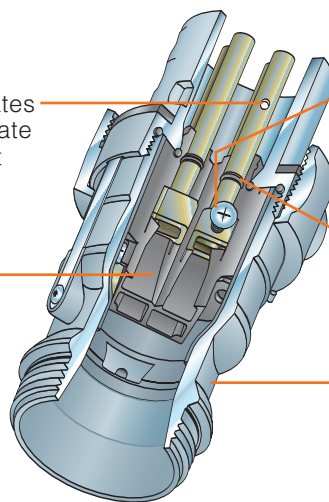
O-ring seals

**P** **Patented** pin design using slotted spring clip to provide superior contact and reliability

Sleeve incorporates contaminate relief port

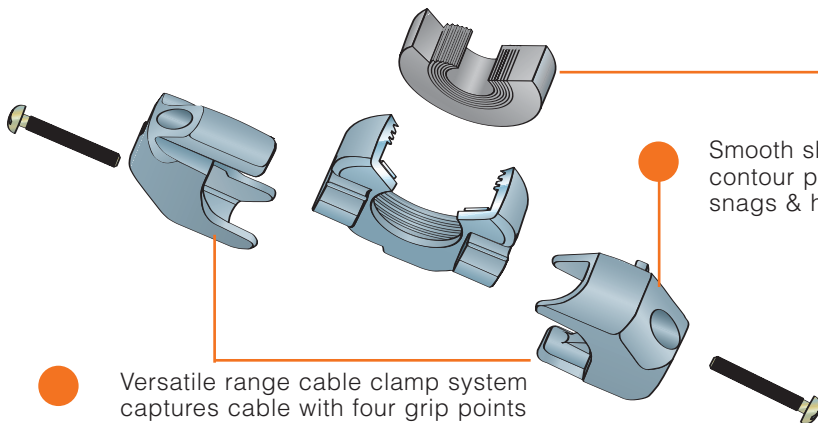
“Increased safety” type box terminals provide secure clamping of conductors (200A Version is Patented)

Funneled wiring chamber design for fast and accurate conductor insertion to speed assembly. All wires can be inserted at **one time**



O-ring seals

**P** **Patented** Body style with octagonal shape for easy grip



Exclusive neoprene “Onion Skin” peel-away type gasket for the ultimate in sealing a variety of cable sizes

Smooth shoulder contour prevents snags & hang ups

Versatile range cable clamp system captures cable with four grip points using only two tightening screws. Provides secure grip without damaging the cable insulation

**Unique VersaMate® Feature**  
The VersaMate® Line is designed for the industrial customer based on engineering and user surveys

**P** Denotes Patented Feature



**REVERSE SERVICE: S39**

Add suffix **S39** for factory Reverse Service of receptacles, plugs or connectors. Receptacles or connectors are assembled with plug interiors while plugs are assembled with receptacle interiors. For applications where the plug is energized (i.e. from a generator) to feed a non-energized receptacle. Prevents easy contact with energized exposed pins. This conversion can be performed in the field with a complementary plug & receptacle (30A to 100A devices shown on pages PR6-8). 200A Amp devices shown on page PR9 are a factory-only option. Reverse Service is not for hazardous locations.



**Typical Application**

**POLARIZED OPTION: S37**

Add suffix **S37** for special polarity. Can prevent connection between mismatched voltages or frequencies in areas where devices of the same amperage, poles and grounding style are used. Receptacle or connector interiors are rotated 22-1/2° to the right; plug is rotated opposite to match. This is a factory only option.



**Standard**



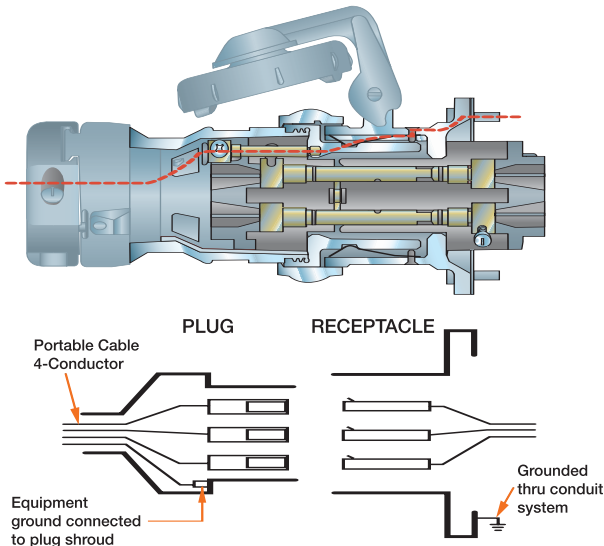
**S37 Option**

**GROUNDING:**

To minimize the danger of electrical shock when utilizing portable equipment, the National Electrical Code requires exposed metal parts be grounded if operated at more than 150 volts to ground. The VersaMate® plug & receptacle system is available in two grounding styles. Please note Style I and II devices cannot be intermated.

**Style I**

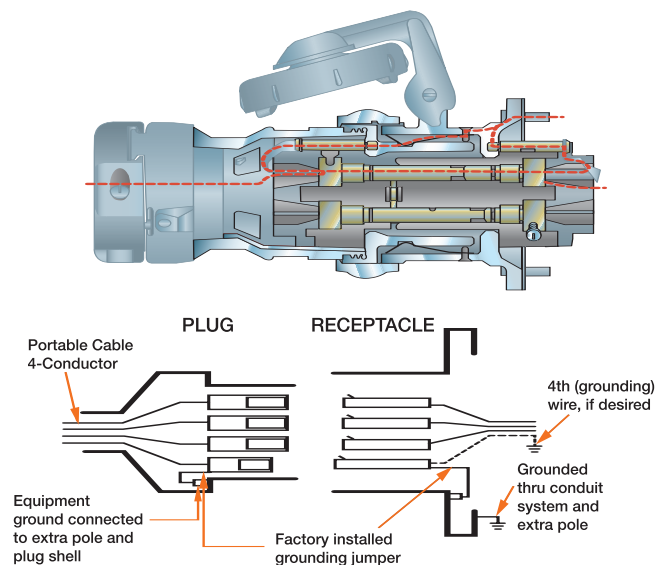
In a Style I plug, the cable's ground conductor is bonded to the plug housing by means of solderless connector. The receptacle is grounded by being part of a grounded conduit system. Upon insertion, detent springs in the receptacle housing contact and ground the plug housing before current carrying poles. All poles are current carrying.



**3W3P Illustrated**

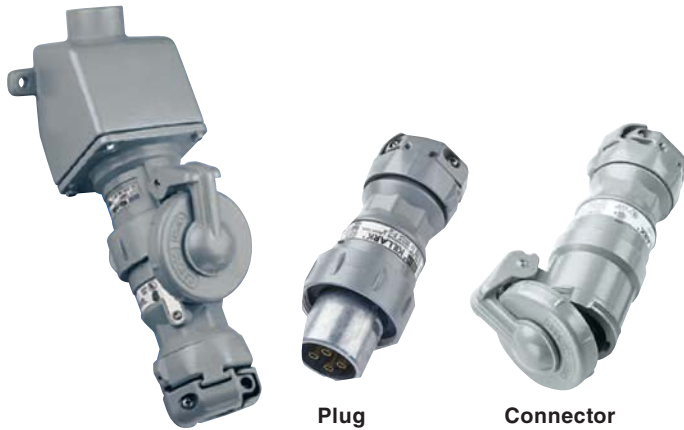
**Style II**

In a Style II plug, the cable's ground conductor is bonded to the extra grounding pole and to the plug housing via a bonding jumper. The receptacle has a matching grounding pole connected to the system ground conductor which is further tied to the grounded conduit system via a bonding jumper. Upon insertion, detent springs in the receptacle housing contact and ground the plug housing; then the extra long ground pole connects before the current carrying poles engage. The Style II ground pole makes first and breaks last.



**3W4P Illustrated**





Plug

Connector

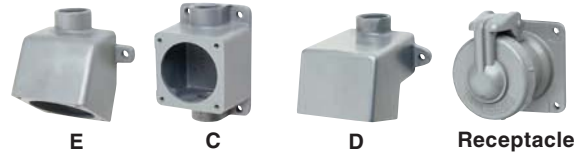
- 30 Amp 600VAC/250VDC; 50-400 Hertz NEMA 3, 4, 4X ①
- **PLUGS ONLY** ②:  
 Class I, Div. 1 & 2, Groups B,C,D; NEMA 7 B,C,D  
 Class I, Zones 1 & 2, IIB+H<sub>2</sub>, IIA  
 Class II, Div. 1 & 2, Groups F & G; NEMA 9 F,G; Class III

**Wire Range**

Regular Stranding: #10 - #6

Extra flex: #10 - #8

UL File No. E10757    SB Certified File No. LR111846



E

C

D

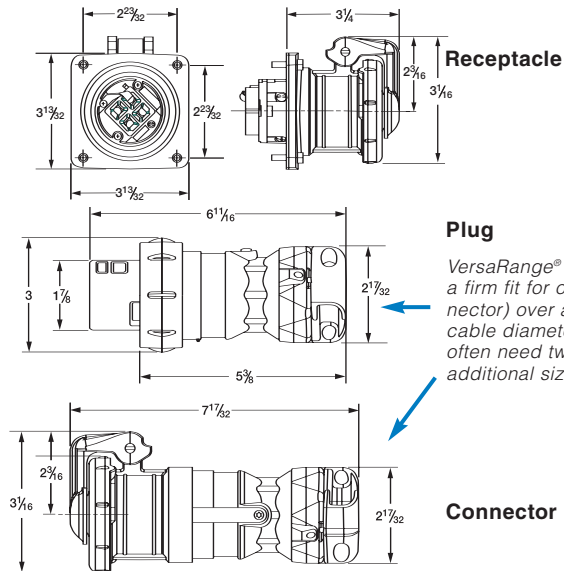
Receptacle

**FEATURES-SPECIFICATIONS**

30 AMP PLUGS & CONNECTORS				
GROUND STYLE	CIRCUIT	GROMMET RANGE	CATALOG NUMBER	
			PLUG	CONNECTOR
Style I	2W2P	.55 - 1.20 IN	VP3275	VPR3255
	3W3P	.55 - 1.20 IN	VP3375	VPR3355
	4W4P	.55 - 1.20 IN	VP3475	VPR3455
Style II	2W3P	.55 - 1.20 IN	VP3385	VPR3365
	3W4P	.55 - 1.20 IN	VP3485	VPR3465

MODIFICATIONS*	
CATALOG NUMBER	DESCRIPTION
S39	Reverse service for receptacles, plugs & connectors
S37	Polarization for receptacles, plugs & connectors

\*See page PR5 for more information on these options.



**Plug**  
 VersaRange® clamps provide a firm fit for one plug (or connector) over a wide range of cable diameters (competitors often need two – requiring additional sizing decisions).

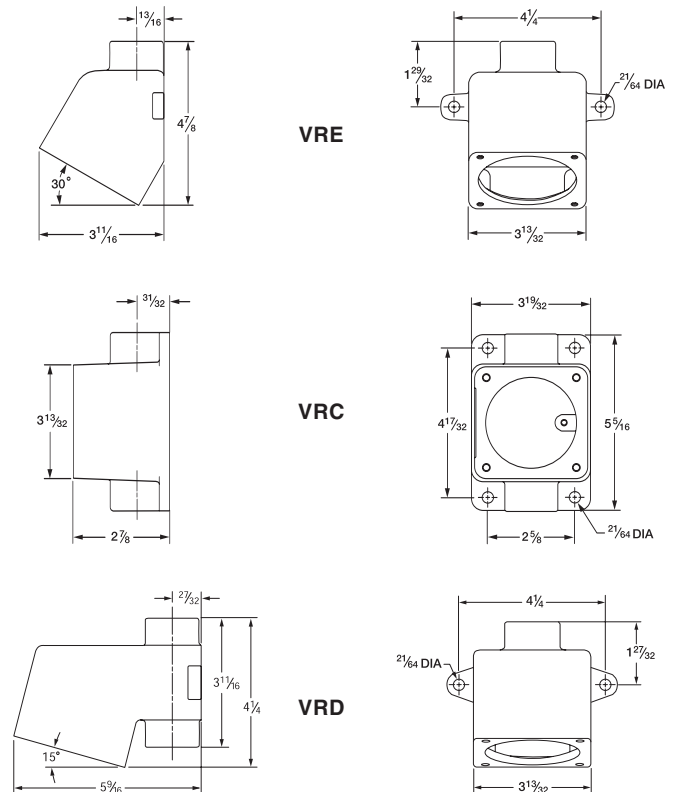
- ① Components are interchangeable & UL classified with other UL1686 configured devices (when installed in accordance with instructions furnished with device). Assemblies containing components from other manufacturers would have the NEMA type rating of the lowest rated device.
  - ② Plugs are hazardous suitable when mated with properly rated receptacles configured to use UL1686 type plugs, such as VersaMate VSQ/VBQ.
- Note, 2, 3 & 4 pole device dimensions are the same.

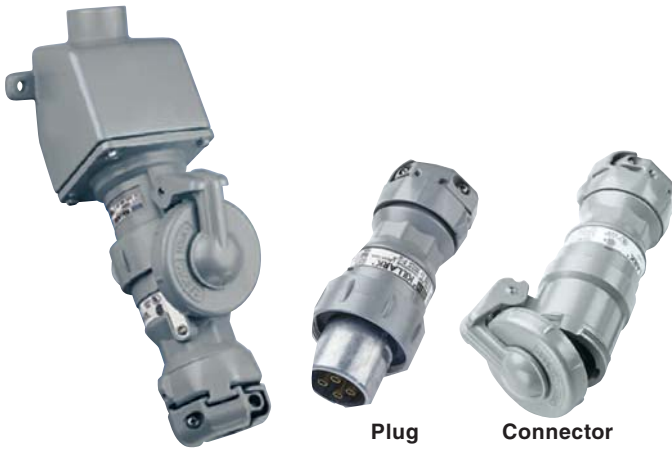


30 AMP RECEPTACLES & BACK BOXES					
GROUND STYLE	CIRCUIT	CATALOG NUMBER			
		E ③ TYPE	C ③ TYPE	D ③ TYPE	RECEPTACLE ONLY
Style I	2W2P	VR321E2	VR321C2	VR321D2	VR321
	3W3P	VR331E2	VR331C2	VR331D2	VR331
	4W4P	VR341E2	VR341C2	VR341D2	VR341
Style II	2W3P	VR332E2	VR332C2	VR332D2	VR332
	3W4P	VR342E2	VR342C2	VR342D2	VR342
Splice box only ③		VRE23	VRC23	VRD23	–

③ 30 Amp Back Boxes are available in 1/2", 3/4" and 1" conduit sizes. Size listed for 3/4". For other available sizes, change the BOLD "2" in either the assembly or box only number to: **1** = 1/2", **2** = 3/4", **3** = 1". Assembly catalog numbers are listed for ease of ordering or specification and devices are shipped as components.

**Back Box Dimensions**





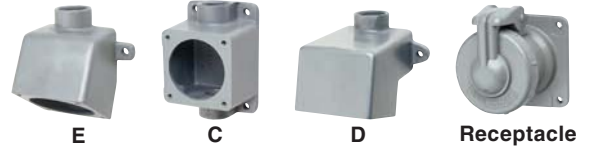
- 60 Amp 600VAC/250VDC; 50-400 Hertz NEMA 3, 4, 4X ①
- **PLUGS ONLY** ②:  
 Class I, Div. 1 & 2, Groups B,C,D; NEMA 7 B,C,D  
 Class I, Zones 1 & 2, IIB+H<sub>2</sub>, IIA  
 Class II, Div. 1 & 2, Groups F & G; NEMA 9 F,G; Class III

**Wire Range**

Regular Stranding: #6 - #4

Extra flex: #6 - #4

UL File No. E10757 SP Certified File No. LR111846



**FEATURES-SPECIFICATIONS**

60 AMP PLUGS & CONNECTORS				
GROUND STYLE	CIRCUIT	GROMMET RANGE	CATALOG NUMBER	
			PLUG	CONNECTOR
Style I	2W2P	.65 - 1.50 IN	<b>VP6275</b>	<b>VPR6255</b>
	3W3P	.65 - 1.50 IN	<b>VP6375</b>	<b>VPR6355</b>
	4W4P	.65 - 1.50 IN	<b>VP6475</b>	<b>VPR6455</b>
Style II	2W3P	.65 - 1.50 IN	<b>VP6385</b>	<b>VPR6365</b>
	3W4P	.65 - 1.50 IN	<b>VP6485</b>	<b>VPR6465</b>

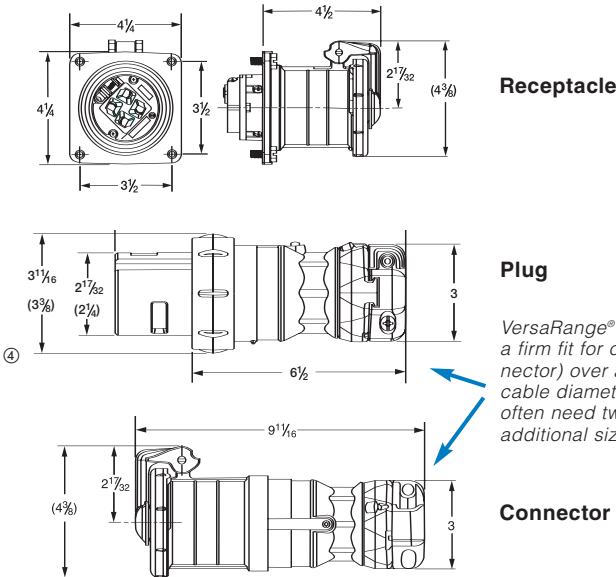
60 AMP RECEPTACLES & BACK BOXES					
GROUND STYLE	CIRCUIT	CATALOG NUMBER			
		E ③ TYPE	C ③ TYPE	D ③ TYPE	RECEPTACLE ONLY
Style I	2W2P	<b>VR621E4</b>	<b>VR621C4</b>	<b>VR621D4</b>	<b>VR621</b>
	3W3P	<b>VR631E4</b>	<b>VR631C4</b>	<b>VR631D4</b>	<b>VR631</b>
	4W4P	<b>VR641E4</b>	<b>VR641C4</b>	<b>VR641D4</b>	<b>VR641</b>
Style II	2W3P	<b>VR632E4</b>	<b>VR632C4</b>	<b>VR632D4</b>	<b>VR632</b>
	3W4P	<b>VR642E4</b>	<b>VR642C4</b>	<b>VR642D4</b>	<b>VR642</b>
Splice box only ④		<b>VRE46</b>	<b>VRC46</b>	<b>VRD46</b>	-

MODIFICATIONS*	
CATALOG NUMBER	DESCRIPTION
<b>S39</b>	Reverse service for receptacles, plugs & connectors
<b>S37</b>	Polarization for receptacles, plugs & connectors

\*See page PR5 for more information on these options.

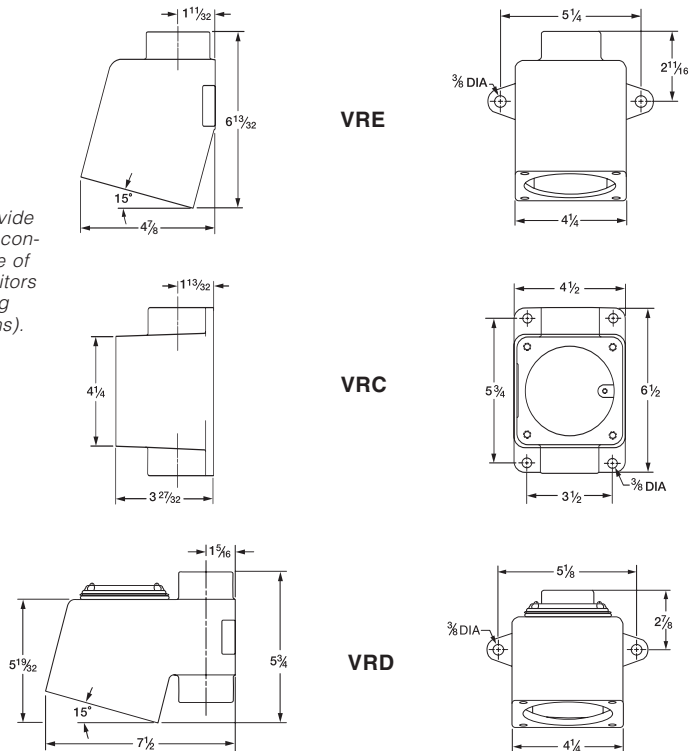
③ 60 Amp Back Boxes are available in 1", 1-1/4" and 1-1/2" conduit sizes. Size listed above is 1-1/4". For other available sizes, change the BOLD "4" in either the assembly or box only number as follows: **3**=1", **4**=1-1/4", **5**=1-1/2". Assembly catalog numbers are listed for ease of ordering or specification and devices are shipped as components. Note: 60 Amp receptacles also fit 100 Amp mounting boxes - see Note ④ on 100 Amp page PR8.

**PR**



VersaRange® clamps provide a firm fit for one plug (or connector) over a wide range of cable diameters (competitors often need two - requiring additional sizing decisions).

**Back Box Dimensions**



- ① Components are interchangeable & UL classified with other UL 1686 configured devices (when installed in accordance with instructions furnished with device). Assemblies containing components from other manufacturers would have the NEMA type rating of the lowest rated device.
- ② Plugs are hazardous suitable when mated with properly rated receptacles configured to use UL 1686 type plugs, such as VersaMate VSQ/VBQ.
- ④ Dimensions in ( ) are 3 pole devices; balance are 4 pole.





Plug



Connector

- 100 Amp 600VAC/250VDC; 50-400 Hertz NEMA 3, 4, 4X ①
- **PLUGS ONLY** ②:  
 Class I, Div. 1 & 2, Groups B,C,D; NEMA 7 B,C,D  
 Class I, Zones 1 & 2, IIB+H<sub>2</sub>, IIA  
 Class II, Div. 1 & 2, Groups F & G; NEMA 9 F,G; Class III

Wire Range

Regular Stranding: #4 - #2

Extra flex: #4 - #2

UL File No. E10757    SP-Certified File No. LR111846



E



C



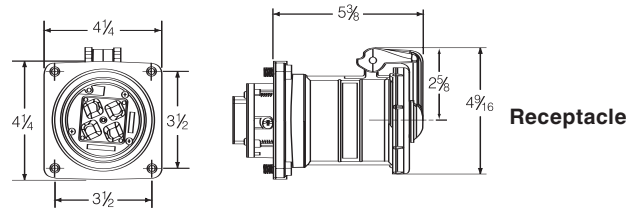
Receptacle

**FEATURES-SPECIFICATIONS**

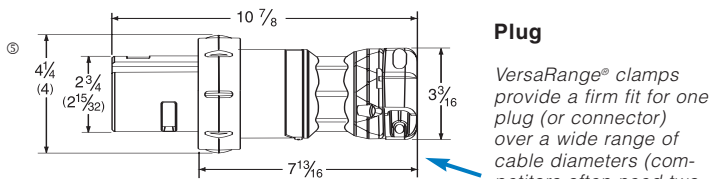
100 AMP PLUGS & CONNECTORS				
GROUND STYLE	CIRCUIT	GROMMET RANGE	CATALOG NUMBER	
			PLUG	CONNECTOR
Style I	2W2P	.88 - 1.68 IN	VP10277	VPR10257
	3W3P	.88 - 1.68 IN	VP10377	VPR10357
	4W4P	.88 - 1.68 IN	VP10477	VPR10457
Style II	2W3P	.88 - 1.68 IN	VP10387	VPR10367
	3W4P	.88 - 1.68 IN	VP10487	VPR10467

MODIFICATIONS*	
CATALOG NUMBER	DESCRIPTION
S39	Reverse service for receptacles, plugs & connectors
S37	Polarization for receptacles, plugs & connectors

\*See page PR5 for more information on these options.

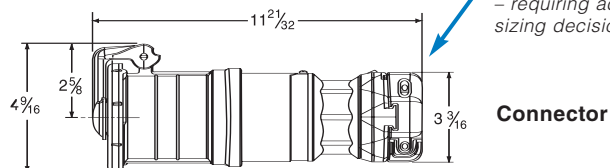


Receptacle



Plug

VersaRange® clamps provide a firm fit for one plug (or connector) over a wide range of cable diameters (competitors often need two - requiring additional sizing decisions).



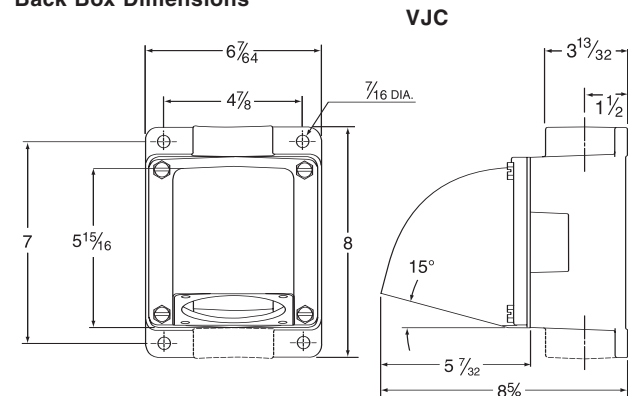
Connector

100 AMP RECEPTACLES & BACK BOXES				
GROUND STYLE	CIRCUIT	CATALOG NUMBER		
		E ③ TYPE	C ③ TYPE	RECEPTACLE ONLY
Style I	2W2P	VR1021E5	VR1021C5	VR1021
	3W3P	VR1031E5	VR1031C5	VR1031
	4W4P	VR1041E5	VR1041C5	VR1041
Style II	2W3P	VR1032E5	VR1032C5	VR1032
	3W4P	VR1042E5	VR1042C5	VR1042
Splice box only w/adaptor ③③		VJ57	VJC57	Angle adapter only VJA100

① 100 Amp Back Boxes are available in 1", 1-1/4", 1-1/2" & 2" conduit sizes. Size listed above is 1-1/2". For other available sizes, change the BOLD "5" in either the assembly or box only number as follows: **3**=1", **4**=1-1/4", **5**=1-1/2", **6**=2". Assembly catalog numbers are listed for ease of ordering or specification and devices are shipped as components.

② 100 Amp Boxes & Adapters also fit 60 Amp receptacles. Adapter only can be used to attach receptacle at an angle to a standard sheet metal box.

**Back Box Dimensions**



Feed through style shown

① Components are interchangeable & UL classified with other UL 1686 configured devices (when installed in accordance with instructions furnished with device). Assemblies containing components from other manufacturers would have the NEMA type rating of the lowest rated device.

② Plugs hazardous suitable when mated with properly rated receptacles configured to use UL 1686 type plugs, such as VersaMate VBQ.

③ Dimensions in ( ) are 3 pole devices; balance are 4 pole\*.







**200 Amp 600VAC/250VDC; 50-400hertz**  
**NEMA 3 4, 4X ①**

**Wire Range**

Regular Stranding: #1 - 250  
 Extra flex: #1 - 250  
 (.653 max conductor diameter)

UL File No. E10757 E213215 SP Certified File No. LR111846

Plug

Connector

E

C

Receptacle

**FEATURES-SPECIFICATIONS**

200 AMP PLUGS & CONNECTORS				
GROUND STYLE	CIRCUIT	GROMMET RANGE	CATALOG NUMBER	
			PLUG	CONNECTOR
Style I	3W3P	1.0 - 2.5 IN	VP203512	VPR203112
	4W4P	1.0 - 2.5 IN	VP204513	VPR204113
Style II	2W3P	1.0 - 2.5 IN	VP203612	VPR203212
	3W4P	1.0 - 2.5 IN	VP204612	VPR204212

MODIFICATIONS*	
CATALOG NUMBER	DESCRIPTION
S39®	Reverse service for receptacles, plugs & connectors
S37	Polarization for receptacles, plugs & connectors

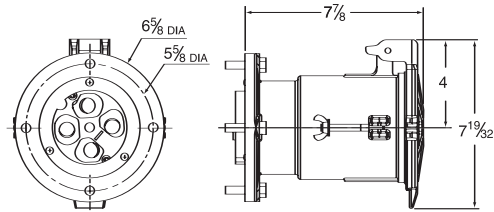
\*See page PR5 for more information on these options.

200 AMP RECEPTACLES & BACK BOXES				
GROUND STYLE	CIRCUIT	CATALOG NUMBER		
		E ② TYPE	C ② TYPE	RECEPTACLE ONLY
Style I	3W3P	VR20312E6	VR20312C7	VR20312
	4W4P	VR20412E6	VR20412C7	VR20412
Style II	2W3P	VR20322E6	VR20322C7	VR20322
	3W4P	VR20422E6	VR20422C7	VR20422
Splice box only w/adaptor ②③		VJ68	VJC78	Angle adapter only VJA200

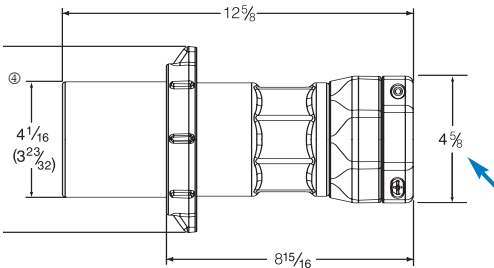
② 200 Amp Back Boxes are available in dead-end sizes 1-1/2", 2" & 2-1/2" conduit sizes. Dead-end box shown is 2". For other available dead-end box sizes, change the BOLD "6" in either the dead-end assembly or box only number as follows: **5**=1-1/2", **6**=2", **7**=2-1/2". Feed through boxes are available in 2-1/2"; use "R" series adapters as required for smaller sizes (sold separately). Assembly catalog numbers are listed for ease of ordering or specification and devices are shipped as components.

③ Adapter only can be used to attach receptacle at an angle to a standard sheet metal box.

NOTE: 200A VersaMate receptacle lids secure with wingnuts for N4X environments when not in use. VersaMate plugs secure with wingnuts and/or lock-ring collar. This exclusive dual method allows retention of competitive plugs that use either wingnuts or a lock-ring collar.

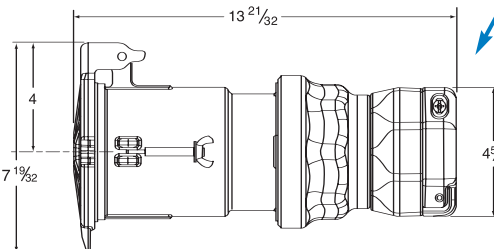


Receptacle



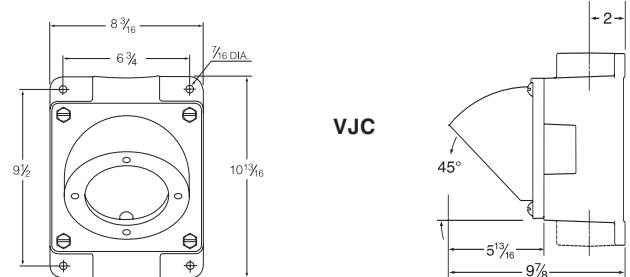
Plug

VersaRange® clamps provide a firm fit for one plug (or connector) over a wide range of cable diameters (competitors often need two - requiring additional sizing decisions).



Connector

**Back Box Dimensions**



VJC

- ① Components are interchangeable & UL classified with Appleton® Powertite® or Crouse-Hinds® Arkrite® devices (when installed in accordance with instructions furnished with device. Assemblies containing components from other manufacturers would have the NEMA type rating of the lowest rated device.
- ④ Dimensions in ( ) are 3 pole devices; balance are 4 pole.
- ⑤ 200A 3W4P Reverse Service configured "W" Series and VersaMate® are not interchangeable. However, the VersaMate VR20422-S39 receptacle ships with instructions to permanently convert for use with existing PW-6402X SU39 plugs. Factory only configured plugs to fit old RW64C-SU39 receptacles may be ordered as VP-PW64026SU39.



- **VSQ Hazardous Location Ratings**  
 Class I, Div. 1 & 2, Groups B,C,D  
 Class I, Zones I & 2, Groups IIB+H<sub>2</sub>, IIA  
 Class II, Div. 1 & 2, Groups F & G  
 Class III  
 NEMA 3, 4, 4X, 7 (B,C,D), 9 (F,G)

- **VWSQ for Wet & Corrosive Locations**  
 NEMA 3, 4, 4X

**Wire Range**

30 Amp Regular Stranding Max #10  
 60 Amp Regular Stranding Max #4

File No. E91049

Certified File No. LR14667

**FEATURES-SPECIFICATIONS**

**Features**

- N4X with receptacle lid turned shut or with plug locking ring tightened
- Copper-free aluminum construction with electrostatically applied polyester/epoxy finish. Handle mechanism is chemical resistant Valox® (TM General Electric).
- Compact size and footprint
- Patent Pending Plug Interlock Mechanism
- Dead-front construction. Switch cannot be turned "ON" without fully inserted plug. Plug cannot be removed with switch in "ON" position
- Plug held in place when switch is "Off" for convenience. Push button operated release mechanism. Plug & wiring do not have to be twisted or held to operate switch
- Factory Wired Receptacle; easy to wire line side of switch
- Easily visible "On-Off" indicator handle
- "Off" position is padlockable for maintenance safety

- Auxiliary Contact (late-make early-break) contact rated 10 Amp, 1/3 HP at 125/250 VAC. Can be used for operating pilot lights or starter coils (standard model only)
- Feed-through construction
- Horsepower Rated
- Internal switch horsepower rated as "motor disconnect"

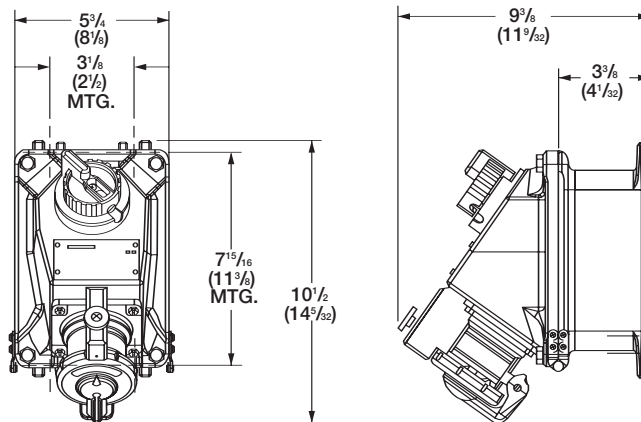
HORSEPOWER RATINGS(VAC)Ⓞ		120	240	480	600
30A	1Ø	2	5	10	15
	3Ø	3	7.5	15	20
60A	1Ø	-	10	15	20
	3Ø	-	10	25	30

VSQ & VWSQ RECEPTACLES				
AMPS	CIRCUIT	CATALOG NUMBER		
		VSQ HAZARDOUS	VWSQ N4X ONLY	VERSAMATE PLUG
30	2W3P	<b>VSQ3023</b>	<b>VWSQ3023</b>	<b>VP3385</b>
	3W4P	<b>VSQ3034</b>	<b>VWSQ3034</b>	<b>VP3485</b>
60	2W3P	<b>VSQ6023</b>	<b>VWSQ6023</b>	<b>VP6385</b>
	3W4P	<b>VSQ6034</b>	<b>VWSQ6034</b>	<b>VP6485</b>

NOTES: VSQ/VWSQ 30 Amp models come standard with 1" drilled and tapped conduit openings top and bottom plus two 1" x 3/4" reducers and one 3/4" close-up plug for maximum flexibility. 60 amp models come with 1-1/2" openings top and bottom and one 1-1/2" close-up plug. VSQ & VWSQ Receptacle covers are NOT interchangeable.

Ⓞ Refers to internal switch only.

**Dimensions**



Dimensions shown are in inches for 30 AMP: 60 Amp dimensions in ( ).  
 NOTE: 60A has adjustable ductile lugs (vertical or side) for attachment to uneven surfaces. Ordinary twist type wire connectors are used for final connections on 30A. 60A devices have terminal blocks.

MODIFICATIONS*	
CATALOG NUMBER	DESCRIPTION
<b>S37</b>	Polarization for receptacles, plugs

\*See page PR5 for more information on this option

VersaMate VSQ & VWSQ Receptacles use VersaMate Style II plugs found on pages PR6 & PR7 and are compatible with appropriately configured Crouse-Hinds® Arkrite® or Appleton® Powerlite® plugs (when installed in accordance with instructions furnished with device)

Arkrite® is a registered trademark of Crouse-Hinds®.  
 Powerlite® is a registered trademark of Appleton®.



**Class I, Div. 1 & 2, Groups B,C,D**  
**Class I, Zones I & 2, Groups IIB+H<sub>2</sub>, IIA**  
**Class II, Div. 1 & 2, Groups F & G**  
**Class III**  
**NEMA 3, 4, 4X, 7 (B,C,D), 9 (F,G)**

File No. E91049

Certified File No. LR14667

**Wire Range**

30 Amp Regular Stranding Max #10  
 60 Amp Regular Stranding Max #4

**FEATURES-SPECIFICATIONS**

**Features – same as VSQ® plus:**

- Factory Sealed Construction eliminates need for conduit sealing at the device
- Saves Installation Time & Labor – facilitates rework
- Switch has factory wired line and load terminals. Load terminals feed sealed receptacle as in a standard VSQ. Line wiring is passed from the sealed compartment into the **wiring chamber**
- Receptacles may be loosened from black box and turned 180 degrees to adjust for top or bottom feed.
- Ordinary twist type wire connectors are used for final connections on 30A. 60A devices have terminal blocks

VSQ - FS RECEPTACLES			
AMPS	CIRCUIT	CATALOG NUMBER	
		VSQ-FS HAZARDOUS	VERSAMATE PLUG
30	2W3P	VSQ3023FS	VP3385
30	3W4P	VSQ3034FS	VP3485
60	2W3P	VSQ6023FS	VP6385
60	3W4P	VSQ6034FS	VP6485

NOTES: VSQ-FS 30 Amp models come standard with one 1" drilled and tapped conduit openings into the wiring chamber plus one 1" x 3/4" reducer.

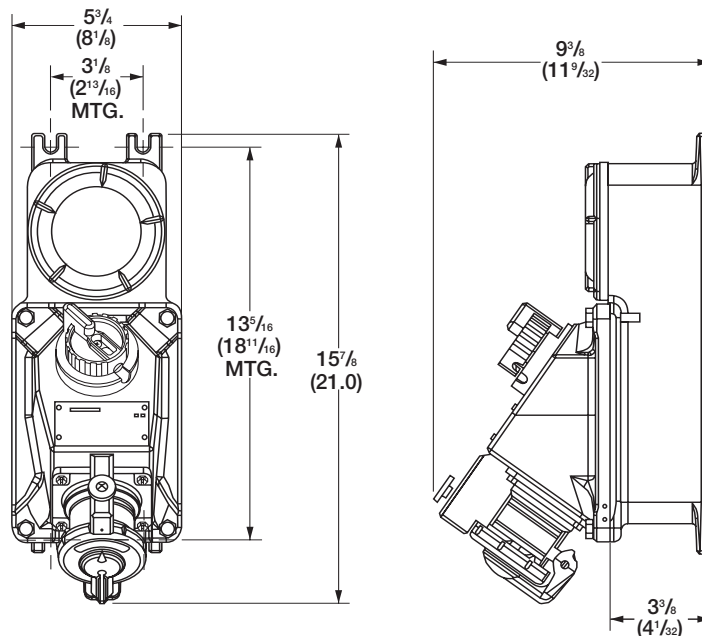
60 amp models come with one 1" opening.

Ⓜ VSQ-FS models do not have auxiliary contacts.

MODIFICATIONS*	
CATALOG NUMBER	DESCRIPTION
S37	Polarization for receptacles & plugs

\*See page PR5 for more information on this option.

**Dimensions**



Dimensions shown are in inches for 30 AMP. 60 AMP Dimensions in ( ).



**Class I, Div. 1 & 2, Groups B,C,D**  
**Class I, Zones 1 & 2, Groups IIB+H<sub>2</sub>, IIA**  
**Class II, Div. 1 & 2, Groups F & G**  
**Class III**  
**NEMA 3, 4, 4X, 7 (B,C,D), 9 (F,G)**



**FEATURES-SPECIFICATIONS**

**Features**

*Receptacle:*

- N4X with receptacle lid turned shut or with plug locking ring tightened
- Plug held in place when switch is “Off” for convenience. Pull button operated release mechanism. Plug does not have to be twisted to operate switch
- Dead-front construction when receptacle is off. Switch cannot be turned “ON” without fully inserted plug. Plug cannot be removed with switch in “ON” position
- Wire Connections do not bend when opening and closing door – minimizes loosening during installation or maintenance procedures

*VersaMate VBQ Receptacles use VersaMate Style II plugs found on 30, 60 and 100 amp pages and are compatible with appropriately configured Crouse-Hinds® Arktite® or Appleton® Powertite® plugs (when installed in accordance with instructions furnished with device).*

*Arktite® is a registered trademark of Crouse-Hinds®.*

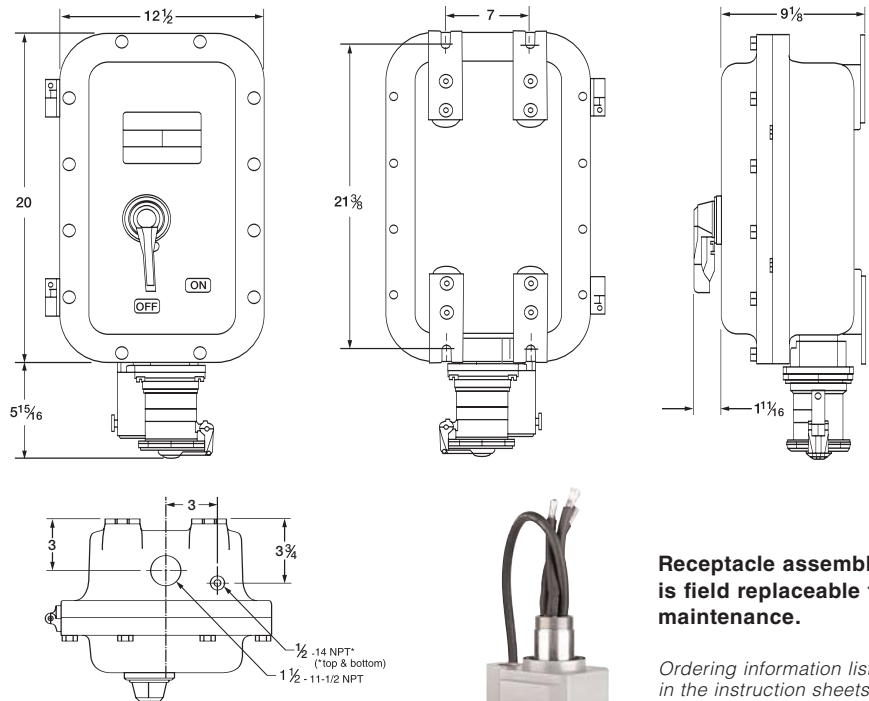
*Powertite® is a registered trademark of Appleton®.*

*Enclosure:*

- Spacious wiring room. Meets the latest NEC wire bending requirements for circuit breaker enclosures
- Ductile Mounting Lugs to adjust to uneven surfaces
- Copper-free construction with 316 grade Stainless Steel External Hardware
- Quick Release Cover Bolts with Triple Leads – only 3-1/2 turns to disengage

- Recessed Flange Notches – Allows easier cover opening with prying instrument without flange damage
- Aluminum lacquer paint finish for corrosion resistance
- Visible “ON” external Breaker Handle has provisions for locking “ON” or “OFF” with up to three Padlocks
- Internal Lock-Off provision for maintenance when no hazardous materials are present

**Dimensions**



**Receptacle assembly is field replaceable for maintenance.**

*Ordering information listed in the instruction sheets provided with the product.*

*Note: The VBQ series is B7EC enclosure based. See page E-13 for additional dimensional information.*

**VERSAMATE® SERIES • PLUGS AND RECEPTACLES**  
**VBQ BREAKER PROTECTED INTERLOCKED RECEPTACLES**  
**600VAC/250VDC**

**PR13**



*Internal Lock-Off provision for maintenance when no hazardous materials are present*

**Class I, Div. 1 & 2, Groups B,C,D**  
**Class I, Zones 1 & 2, IIB+H<sub>2</sub>, IIA**  
**Class II, Div. 1 & 2, Groups F & G**  
**Class III**  
**NEMA 3, 4, 4X, 7 (B,C,D), 9 (F,G)**

  File No. E184637

**ORDERING INFORMATION**

VBQ RECEPTACLES							
RECEPTACLE	CIRCUIT	BREAKER	CATALOG NUMBER				
			SQUARE D FAL (480 VAC MAX.)	SQUARE D FHL (600 VAC MAX.)	CUTLER-HAMMER EHD (480 VAC MAX.)	CUTLER-HAMMER FD (600 VAC MAX.)	VERSAMATE PLUG
30	2W3P	20	VBQ3023SN20	VBQ3023SH20	VBQ3023CN20	VBQ3023CH20	VP3385
		30	VBQ3023SN30	VBQ3023SH30	VBQ3023CN30	VBQ3023CH30	VP3385
		40	VBQ3023SN40	VBQ3023SH40	VBQ3023CN40	VBQ3023CH40	VP3385
		50	VBQ3023SN50	VBQ3023SH50	VBQ3023CN50	VBQ3023CH50	VP3385
	3W4P	20	VBQ3034SN20	VBQ3034SH20	VBQ3034CN20	VBQ3034CH20	VP3485
		30	VBQ3034SN30	VBQ3034SH30	VBQ3034CN30	VBQ3034CH30	VP3485
		40	VBQ3034SN40	VBQ3034SH40	VBQ3034CN40	VBQ3034CH40	VP3485
		50	VBQ3034SN50	VBQ3034SH50	VBQ3034CN50	VBQ3034CH50	VP3485
60	2W3P	50	VBQ6023SN50	VBQ6023SH50	VBQ6023CN50	VBQ6023CH50	VP6385
		60	VBQ6023SN60	VBQ6023SH60	VBQ6023CN60	VBQ6023CH60	VP6385
		70	VBQ6023SN70	VBQ6023SH70	VBQ6023CN70	VBQ6023CH70	VP6385
		90	VBQ6023SN90	VBQ6023SH90	VBQ6023CN90	VBQ6023CH90	VP6385
		100	VBQ6023SN100	VBQ6023SH100	VBQ6023CN100	VBQ6023CH100	VP6385
	3W4P	50	VBQ6034SN50	VBQ6034SH50	VBQ6034CN50	VBQ6034CH50	VP6485
		60	VBQ6034SN60	VBQ6034SH60	VBQ6034CN60	VBQ6034CH60	VP6485
		70	VBQ6034SN70	VBQ6034SH70	VBQ6034CN70	VBQ6034CH70	VP6485
		90	VBQ6034SN90	VBQ6034SH90	VBQ6034CN90	VBQ6034CH90	VP6485
		100	VBQ6034SN100	VBQ6034SH100	VBQ6034CN100	VBQ6034CH100	VP6485
100	2W3P	50	VBQ1023SN50	VBQ1023SH50	VBQ1023CN50	VBQ1023CH50	VP10387
		70	VBQ1023SN70	VBQ1023SH70	VBQ1023CN70	VBQ1023CH70	VP10387
		90	VBQ1023SN90	VBQ1023SH90	VBQ1023CN90	VBQ1023CH90	VP10387
		100	VBQ1023SN100	VBQ1023SH100	VBQ1023CN100	VBQ1023CH100	VP10387
	3W4P	50	VBQ1034SN50	VBQ1034SH50	VBQ1034CN50	VBQ1034CH50	VP10487
		70	VBQ1034SN70	VBQ1034SH70	VBQ1034CN70	VBQ1034CH70	VP10487
		90	VBQ1034SN90	VBQ1034SH90	VBQ1034CN90	VBQ1034CH90	VP10487
		100	VBQ1034SN100	VBQ1034SH100	VBQ1034CN100	VBQ1034CH100	VP10487

PR

Circuit Breaker Interrupting Ratings	208/240 VAC	480 VAC	600 VAC	250 VDC†
Square D FAL	25,000	18,000	—	10,000
Square D FHL	65,000	25,000	18,000	10,000
Cutler-Hammer EHD	18,000	14,000	—	10,000
Cutler-Hammer FD	65,000	25,000	18,000	10,000

Consult Breaker Manufacturer literature for Horsepower Ratings.

†DC ratings apply to substantially non-inductive circuits.

Circuit Breaker	Wire Range
Square D	To 30 Amp #14-4 cu.; 35-100 Amp #14-1/0 cu.
Cutler-Hammer	To 20 Amp #14-10 cu.; 30-100 Amp #14-1/0 cu.

MODIFICATIONS ①	
CATALOG NUMBER	DESCRIPTION
S37	Polarization for receptacles & plugs
SU10	Drain
SU11	Breather
SU3	Drain and Breather (CSA Groups C & D)

① See page PR5 and price sheet for more information on these options.



**KILLARK®**





**Wet**



**Panel Power**



**Harsh**

**FEATURES-SPECIFICATIONS**

**Applications**

Suitable for indoor or outdoor use. Applications include the wet, cold, hazardous, or corrosive areas in such industries as:

- Pulp & Paper Mills
- Breweries
- Electrical Power Plants
- Refineries
- Petrochemical Plants
- Chemical Plants
- Wastewater Treatment
- Grain Facilities
- Marine, Docks, Ports
- Textile Manufacturing
- Construction Sites
- Food Processing Facilities

**Standard Materials**

Plug, Receptacle & Mounting Box .....	Copper-free Aluminum (less than 4/10 of 1%) with electrostatically applied polyester/ epoxy paint
Interior Contact Carrier .....	Engineered Thermoset Polyester – provides high temperature strength and electrical resistance. Other industrial electrical applications include circuit breaker/switch housings, arc chutes, bus bar insulators and transformer bushings
O-Ring, Gaskets & Seal.....	Neoprene
Pins & Sleeves.....	Brass
Pin Spring .....	Heat-treated Beryllium Copper
External Hardware .....	316 Stainless Steel
Increased Safety Terminals .....	Heat treated & Zinc-plated steel frame with Stainless Steel screws
Ground Standoff & Bracket .....	Brass & Nickel-plated Bronze


**Sample VersaMate® Specifications**

Plugs & Receptacles shall be of the metallic NEC style configured to UL1686-C1 specifications. Plugs & Receptacles must be suitable for NEMA 4X environments. Caps shall be of a "Breech-Lock" design capable of being used as a flip lid or screw cover. Cable clamps must be of contoured smooth 2-screw design with a single "Onion Skin" grommet capable of being sized for appropriate cables. Wire terminals must be of the "Increased Safety" design in which the conductor is compressed, not machined, by the set-screw. Hazardous location receptacles must be UL classified to accept any UL 1686-C1 approved plug of appropriate configuration. Hazardous location receptacles shall be rated Class I Groups B,C & D; Class II Groups F & G and N4X.

Switched receptacles must be interlocked and horsepower rated and contain an auxiliary contact for control purposes. Factory-sealed switched receptacles must have an integral wiring chamber, for use with ordinary twist-on wirenuts, that eliminates the need for seals at the device.

Circuit breaker receptacles must be interlocked and constructed so that receptacle units can be field replaced. Device must include an external lock-off safety mechanism for normal operation and an internal lockoff for maintenance (when hazardous materials are not present).



		VERSAMATE®	POWERTITE® <sup>①</sup>	ARKTITE® <sup>②</sup>	APPLETON® OR CROUSE-HINDS®
FEATURE	BENEFIT				COMPARISON
"Breech-Lock" cap* (30, 60, 100 Amp)	Works as both flip lid or screw cap in one convenient unit. Lid closes when not in use to protect threads	✓	-	-	User must choose between convenience of flip lid or better seal of screw cover
Notch in cap*	Allows cap to be held open so two hands can insert/remove plug	✓	-	-	User holds flip lid open with one hand – allowing only one hand for plug
Octagonal grip*	Sure and easy of gripping of plug	✓	-	-	Round body makes it more difficult to grip plug
"Increased Safety" Terminals**	Prevents wire loosening; no contact between screw & conductor; spring tension helps prevent screw loosening & wire pullout	✓	-	-	Set screws can gouge & damage conductor strands; no anti-loosening feature
"Onion Skin" style gasket**	One gasket easily adjusts to fit a wide range of cable sizes	✓	-	-	Appleton has many gaskets to pick & choose from for various cable sizes
NEMA 4X	Very high corrosion & water resistance – even with plug installed	✓	-	-	Only "weatherproof" on most devices
"O" Ring or flat gaskets for all key interfaces**	Provides N4X sealing and impact/shock resistance	✓	-	-	Minimal gasketing; only weatherproof on most devices
Back box has blind holes for receptacle mounting**	Prevents water intrusion into box along screw threads	✓	-	-	"Drilled Through" mounting holes can allow water intrusion along holes & bolt threads
Simple contoured 2-screw clamping system**	VersaRange® clamps securely grip a wide range of cable diameters in 4 places with only 2 screws; smooth contoured design prevents snags	✓	-	-	Appleton uses big "Romex" style clamp with protruding screws. Crouse-Hinds, while smooth, has complicated 3-screw assembly which requires numerous rotations to tighten evenly
Clamp assembly set-screw	Prevents turning or loosening in plug or connector	✓	✓	-	Crouse-Hinds relies on plastic tabs which can break when opened for rewiring
Back box mounting dimensions match competitors	Allows user easy upgrade to VersaMate	✓	✓	✓	Competitive intermateability
Receptacle mounting holes match competitors	Allows user easy upgrade to VersaMate receptacle where removal of existing conduit and back box is difficult	✓	✓	✓	Competitive intermateability
UL1686-C1 Configured	Competitive intermateability	✓	✓	✓	Competitive intermateability
Painted finish	Provides additional corrosion resistance	✓	✓	-	Crouse-Hinds is unpainted
Copper-Free Aluminum	Rugged construction resists corrosion	✓	✓	✓	Rugged construction resists corrosion
Conventional catalog terminology (ie.3W4P Style II)	Allows easy identification & safe matching of devices among manufacturers	✓	✓	✓	Allows easy identification & safe matching of devices among the three major manufacturers
Heavy duty metallic plug	Suitable for rugged applications such as welding, power supply, etc.	✓	✓	✓	Suitable for rugged applications such as welding, power supply, etc.
Insulation sleeve in plugs & connectors	Plastic sleeve between pin carrier/terminals & housing minimizes possible electrical shock	✓	-	✓	Appleton has no sleeve. Sleeve gives "insulation benefit" of plastic plugs in a heavy duty metallic housing
Pin has slotted spring clip*	Provides superior long life & better pin to sleeve contact	✓	-	-	Appleton's wedge spring design can cut a groove over time in sleeve reducing effectiveness. Crouse-Hinds uses split pin design which fatigues over time
Reverse service (S39)	Allows safe connection of an energized plug to a receptacle (ie. generator feed)	✓	✓	✓	Allows safe use of an energized plug to a receptacle (ie. generator feed)
Polarization (S37)	Prevents connection between mismatched voltages in areas where the same amperage, ground style & number of poles are used	✓	✓	✓	Prevents connection between mismatched voltages in areas where the same amperage, ground style & number of poles are used
Auxiliary contact	VSQ/VWSQ/VSQ-FS series includes 10 Amp auxiliary contacts	✓	-	-	Permits operation of pilot lights or other control devices
Factory-sealed receptacle	VSQ-FS series has factory-sealed wiring chamber	✓	-	-	Eliminates need for seals at receptacle; saves labor and makes rework for maintenance easier

PR

\* Patented Feature

\*\* Exclusive Feature

① Powertite® is a registered trademark of Appleton®.

② Arktite® is a registered trademark of Crouse-Hinds®.



**KILLARK®**



Class I, Div. 2, Groups A,B,C,D  
 Class I, Zones 1 & 2, Groups IIC, IIB, IIA  
 AEx de IIC T6  
 Class II, Div. 1 & 2, Groups E,F,G  
 Class III  
 NEMA 3, 4, 4X, IP66



**FEATURES-SPECIFICATIONS**



**Applications**

- For use in hazardous and corrosive environments such as refineries, chemical plants, water treatment and bio gas plants, and wherever a combustible gas-air mixture or combustible dust may occur

**Features**

- Color coding and pin configuration makes it physically impossible to mate plugs and receptacles of different voltages and current ratings
- Interlocked switch mechanism prevents accidental removal of plug from receptacle under load
- Horsepower rated disconnect switch
- Dust caps\* included with 20A and 30A plugs as standard

- No seal required within Class I, Division 2 applications.
- Provision for up to two optional auxiliary contact blocks, useful for signaling circuits or starter coils.③
- Dimensional information - page PR18.

PARTS AND ACCESSORIES③	PART NUMBER
Auxiliary Contact Block NC, A600④	VSIAUXNC
Auxiliary Contact Block NO, A600④	VSIAUXNO

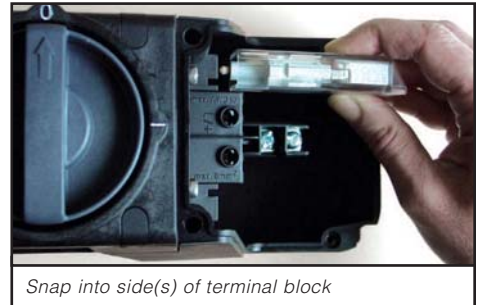
④ 10A rating for one auxiliary block; 5A if two are used. Position noted (NC or NO) is when main switch is off.

VSI SERIES PLUGS & SWITCHED RECEPTACLES					
DESCRIPTION		CATALOG NUMBER			
	AC VOLTAGE AND COLOR CODE	20 AMP①		30 AMP②	
		RECEPTACLE	PLUG	RECEPTACLE	PLUG
2 Pole 3 Wire	125 Yellow	VSI20R304	VSI20P304	—	—
	250 Blue	VSI20R306	VSI20P306	—	—
	480 Red	VSI20R307	VSI20P307	—	—
3 Pole 4 Wire	3 Ø 250 Blue	VSI20R409	VSI20P409	VSI30R409	VSI30P409
	3 Ø 480 Red	VSI20R407	VSI20P407	VSI30R407	VSI30P407
	3 Ø 600 Black	VSI20R405	VSI20P405	VSI30R405	VSI30P405
4 Pole 5 Wire	3 ØY 120/208 Blue	VSI20R509	VSI20P509	VSI30R509	VSI30P509
	3 ØY 277/480 Red	VSI20R507	VSI20P507	VSI30R507	VSI30P507
	3 ØY 347/600 Black	VSI20R505	VSI20P505	VSI30R505	VSI30P505

① VSI 20A devices are compatible with prior 16A models. However, the rating of the lower amperage will apply.

② VSI 30A devices are compatible with prior 32A models. Ratings of the lower amperage will apply.

\* Dust caps shall be installed on plugs with receptacle cover closed when the plug is not engaged in the receptacle.



Snap into side(s) of terminal block

TECHNICAL DATA			
RECEPTACLE	20 AMP		30 AMP
ENCLOSURE MATERIAL	POLYAMIDE		
AMBIENT TEMPERATURE, T <sub>a</sub>	-30°C (-22°F) TO +55°C (131°F)		
TERMINAL CAPACITY	2 wires, rated 75°C (Ta<45°C) or 90°C (Ta>45°C)		
	16-10 AWG		14-8 AWG
SWITCH RATING (HORSEPOWER)	1-phase	3-phase	3-phase
	120 VAC	1.5 HP	—
	240 VAC	3 HP	10 HP
	480 VAC	5 HP	20 HP
600 VAC	15 HP	25 HP	
LINE SUPPLY FUSE	CLASS J - size per NEC/CEC requirement		
BOTTOM ENTRY	3/4" NPT		1" NPT

TECHNICAL DATA		
PLUG	20 AMP	30 AMP
ENCLOSURE MATERIAL	POLYAMIDE	
TERMINAL CAPACITY	1 wire, rated 75°C (Ta<45°C) or 90°C (Ta>45°C)	
	16-10 AWG	14-8 AWG
CORD OUTER DIA.	0.3" - 0.8"	0.6" - 1.1"





**Class I, Div. 2, Groups A,B,C,D**  
**Class I, Zones 1 & 2, Groups IIC, IIB, IIA**  
**AEx de IIC T6**  
**Class II, Div. 1 & 2, Groups E,F,G®**  
**Class III**  
**NEMA 3, 4, 4X, IP66**



SP Pending

**FEATURES-SPECIFICATIONS**



**Applications**

- For use in hazardous and corrosive environments such as refineries, chemical plants, water treatment and bio gas plants, and wherever a combustible gas-air mixture or combustible dust may occur

- When VSI Series is installed in Class II Div. 1 & 2 locations, dust caps for plugs are required. See ordering information below

**Features**

- Color coding and pin configuration makes it physically impossible to mate plugs and receptacles of different voltages and current ratings
- No seals required within Class I, Div. 2 applications

- Interlocked switch mechanism prevents accidental removal of plug from receptacle under load
- Horsepower rated disconnect switch includes 1 auxiliary contact (late make, early break) for signaling circuits.
- 63A, 125A models

**Dimensional Information**

- See page PR18

PR

VSI SERIES PLUGS & SWITCHED RECEPTACLES					
DESCRIPTION		CATALOG NUMBER			
	AC VOLTAGE AND COLOR CODE	63 AMP		125 AMP	
		RECEPTACLE	PLUG	RECEPTACLE	PLUG
3 Pole 4 Wire	3 Ø 250 Blue	VSI63R409	VSI63P409	VSI125R409	VSI125P409
	3 Ø 480 Red	VSI63R407	VSI63P407	VSI125R407	VSI125P407
	3 Ø 600 Black	VSI63R405	VSI63P405	VSI125R405	VSI125P405
4 Pole 5 Wire	3 ØY 120/208 Blue	VSI63R509	VSI63P509	VSI125R509	VSI125P509
	3 ØY 277/480 Red	VSI63R507	VSI63P507	VSI125R507	VSI125P507
	3 ØY 347/600 Black	VSI63R505	VSI63P505	VSI125R505	VSI125P505

PLUG DUST CAP	
FOR PLUG TYPE	CATALOG NUMBER
VSI63P4__	VSI63801140
VSI63P5__	VSI63801140
VSI125P4__	VSI125801140
VSI125P5__	VSI125801140

*Dust cap shall be installed on the plug when the plug is not engaged in the receptacle.*

©FM approved for Class II, Div. 1 & 2, EFG. CSA for Class II, Div. 2, FG.  
 VSI non-metallic devices NOT intermateable with Versamate® NEC metallic series.

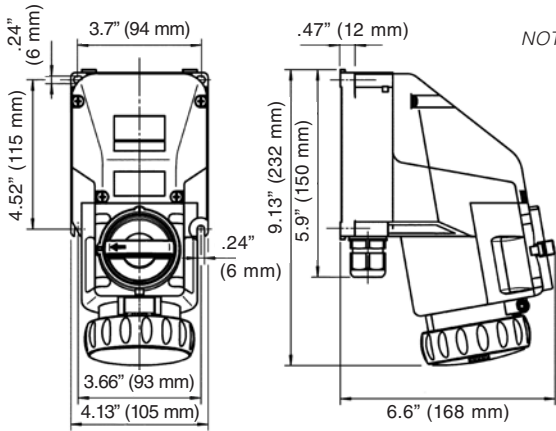
TECHNICAL DATA			
RECEPTACLE	63 AMP	125 AMP	
ENCLOSURE MATERIAL	FIBER REINFORCED POLYESTER		
AMBIENT TEMPERATURE, T <sub>a</sub>	-20°C (-4°F) TO +40°C (104°F)		
TERMINAL CAPACITY	2 wires, 90°C rated		
	6-1/0 AWG	1/0-3/0 AWG	
SWITCH RATING (HORSEPOWER)	3-phase	3-phase	
	120 VAC	10 HP	20 HP
	240 VAC	20 HP	40 HP
	480 VAC	40 HP	100 HP
	600 VAC	60 HP	125 HP
LINE SUPPLY FUSE	CLASS J - size per NEC/CEC requirement		
BOTTOM ENTRY	1-1/2" NPT	2" NPT	

TECHNICAL DATA		
PLUG	63 AMP	125 AMP
ENCLOSURE MATERIAL	POLYAMIDE	
TERMINAL CAPACITY	1 wire, 90°C rated	
	10-4 AWG	6-1/0 AWG
CORD OUTER DIA.	0.3" - 0.8"	0.6" - 1.1"

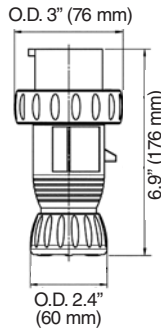


**Dimensions**

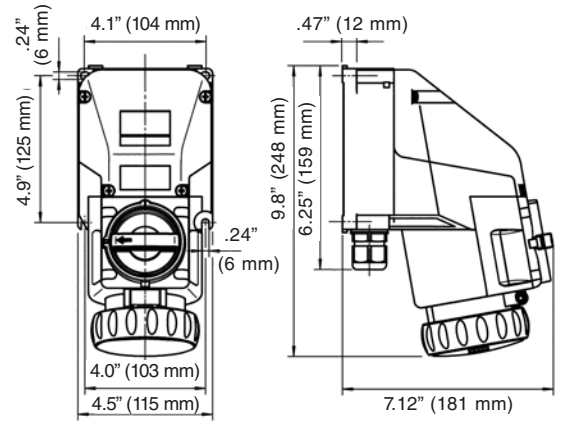
NOTE: Drawings are not to scale



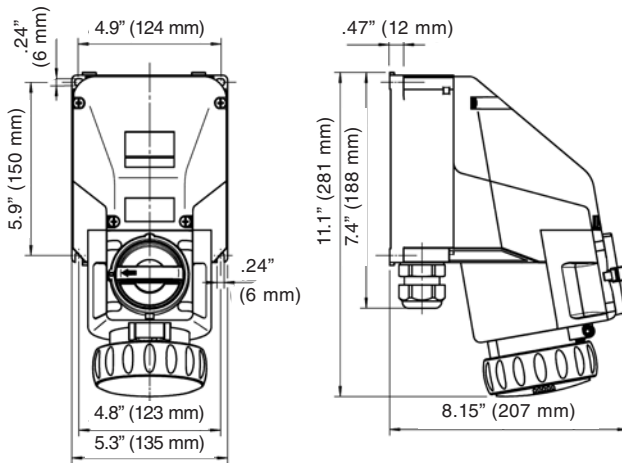
**RECEPTACLE 20A**  
2 POLE - 3 WIRE



**PLUG 20A**

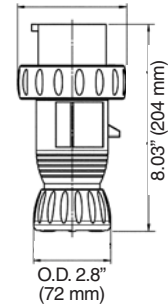


**RECEPTACLE 20A**  
3 POLE - 4 WIRE AND 4 - POLE 5 WIRE

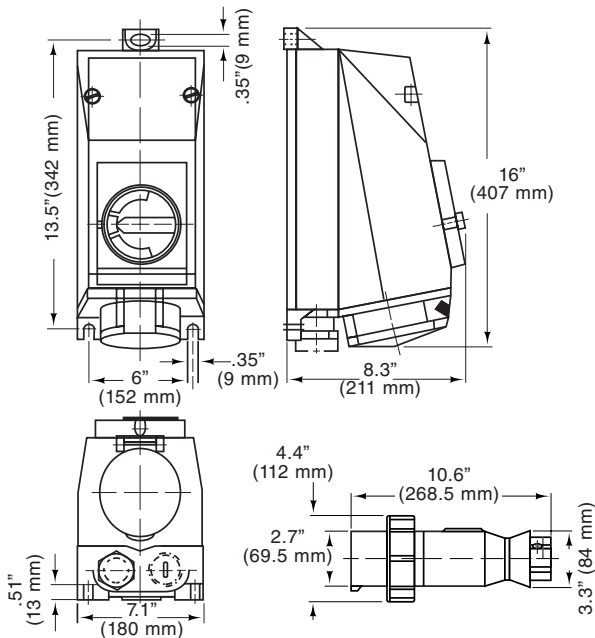


**RECEPTACLE 30A**  
3 POLE - 4 WIRE AND 4 POLE - 5 WIRE

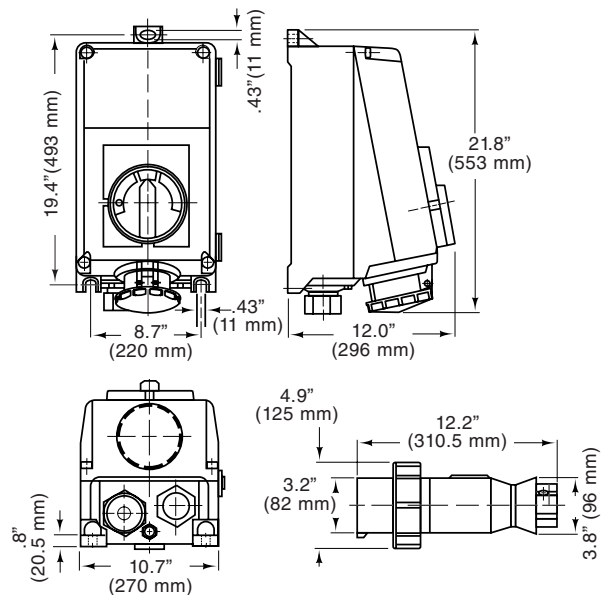
O.D. 3.9" (99 mm) - 4 Wire  
O.D. 4" (102 mm) - 5 Wire



**PLUG 30A**



**RECEPTACLE & PLUG 63A**  
3 POLE - 4 WIRE AND 4 POLE - 5 WIRE



**RECEPTACLE & PLUG 125A**  
3 POLE - 4 WIRE AND 4 POLE - 5 WIRE







Duplex Receptacle

Suitable for:

- Class I, Div. 2, Groups A,B,C,D
- Class I, Zones 1 & 2, Groups IIC, IIB, IIA
- Class II, Div. 1 & 2, Groups E,F,G
- Class III
- NEMA 3
- CENELEC-EEEx de IIC T6 IP54

II 2G EEx ed IIC T5/T6, IP65  
 PTB No. 01 ATEX 1001



**FEATURES-SPECIFICATIONS**



**Applications**

- Designed specifically for hazardous location clean rooms, such as found in the pharmaceutical industry, where equipment must be easy to clean and free of contaminant holding cavities. Electrical devices should also be flush wall mounted, with concealed wiring, to minimize contamination.
- When VCR series is installed in Class II Div. 1 and 2 locations, dust caps for plugs are required. See chart at right.

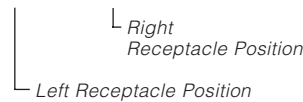
**Features**

- Available with single or duplex receptacles, in 16 or 32 amps with a variety of voltage and pin configurations
- Flush mounting, smooth contours for easy cleaning
- Hazardous locations suitability
- Enclosure made of stainless steel with concealed EPDM gasketing
- Cover is hinged on left side. Provides access with loosening of 2 screws
- Color coding and pin configuration makes it physically impossible to mate plugs and receptacles of different voltages and current ratings (per IEC 309-2)
- Interlocked switch mechanism prevents accidental removal of plug from receptacle under load
- Disconnect switch includes auxiliary contact for indicating control circuits

VCR SERIES CLEANROOM RECEPTACLES					
DESCRIPTION		CATALOG NUMBER			
	AC VOLTAGE AND COLOR CODE	16 AMP <sup>①</sup>		32 AMP <sup>①</sup>	
		RECEPTACLE ☒	PLUG	RECEPTACLE ☒	PLUG
2 Pole 3 Wire	125 Yellow	VCR16R304	VSI16P304	—	—
	250 Blue	VCR16R306	VSI16P306	—	—
	480 Red	VCR16R307	VSI16P307	—	—
3 Pole 4 Wire	3 Ø 250 Blue	VCR16R409	VSI16P409	VCR32R409	VSI32P409
	3 Ø 480 Red	VCR16R407	VSI16P407	VCR32R407	VSI32P407
	3 Ø 600 Black	VCR16R405	VSI16P405	VCR32R405	VSI32P405
4 Pole 5 Wire	3 ØY 120/208 Blue	VCR16R509	VSI16P509	VCR32R509	VSI32P509
	3 ØY 277/480 Red	VCR16R507	VSI16P507	VCR32R507	VSI32P507
	3 ØY 347/600 Black	VCR16R505	VSI16P505	VCR32R505	VSI32P505

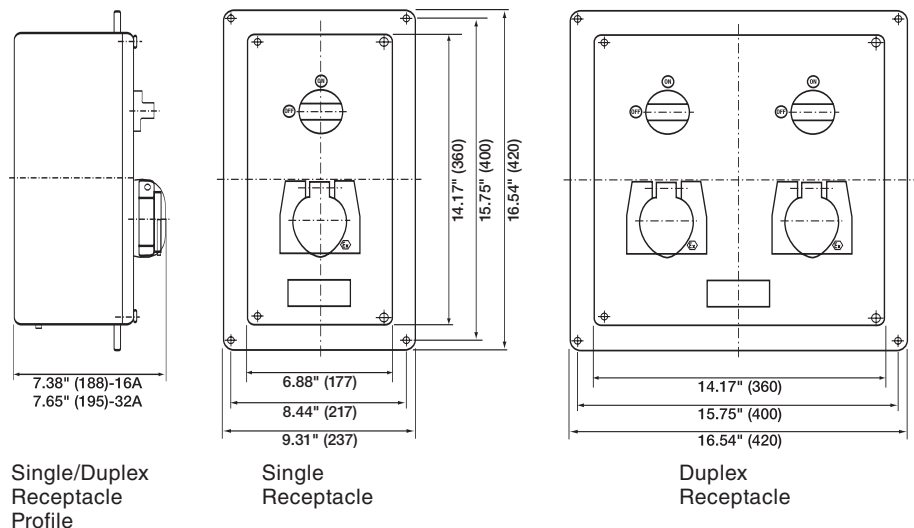
<sup>①</sup>VCR catalog numbers shown in table are for **SINGLE** receptacles. For duplex units, add second receptacle configuration to catalog number.  
 Example: VCR32R409-16R304

PLUG DUST CAP	
FOR PLUG TYPE	CATALOG NUMBER
VSI16P3__	VSI16907140
VSI16P4__	VSI16906140
VSI16P5__	VSI16905140
VSI32P4__	VSI32903140
VSI32P5__	VSI32902140



NOTE: Receptacle must be protected by Class "J" fuse upstream, 20A max. for 16A receptacle, 40A max. for 32A receptacle.

VCR non-metallic plugs NOT intermateable with VersaMate® NEC metallic series.



PR

**Class I, Div. 1 & 2, Groups C,D**  
**Class I, Zones 1 & 2, IIB,IIA**  
**NEMA 7 (C,D)**

 Listed E23572

 Certified LR14667

**FEATURES-SPECIFICATIONS**

**Applications**

KR Series plugs and receptacles are suitable:

- In hazardous locations due to the presence of flammable vapors or gases
- Where a heavy duty plug and receptacle is necessary
- Where a connection is required for portable or movable equipment such as tools, motors, hand lights, etc.
- KP series plugs use solder terminations for sure connection
- KR series receptacles use wire leads for termination

**Features**

- Factory sealed receptacles
- Copper free aluminum
- Straight or angle type receptacles
- Delayed action contacts (See Time Delay Inset)
- Plugs with a wide range of grommet openings
- Extra long grounding pole makes contact first and breaks contact last
- Heavy duty construction to withstand rough and constant usage

**Selection**

Refer to page headings for suitability of specific items. When selecting a Killark device consider the following:

- (A) Installation area (Hazardous or Weather-Resistant)
- (B) Amperage
- (C) Voltage
- (D) Electrical Rating (see below)
- (E) Grounding
- (G) Modifications (see right)
- (H) Mounting arrangement
- (I) Box and hub type
- (J) Cord diameter

**Details of Safety Time Delay Feature**

The key slot provided in the receptacle engages the key of the plug permitting entrance of the plug in the receptacle in only one position. See steps 1-4.

The contacts are enclosed in long accurate insulating cavities. It is in these cavities that the arcs are extinguished. All contacts are made through round tellurium copper tubing which is extra heavy to withstand arcing as required on the various ampere ratings.

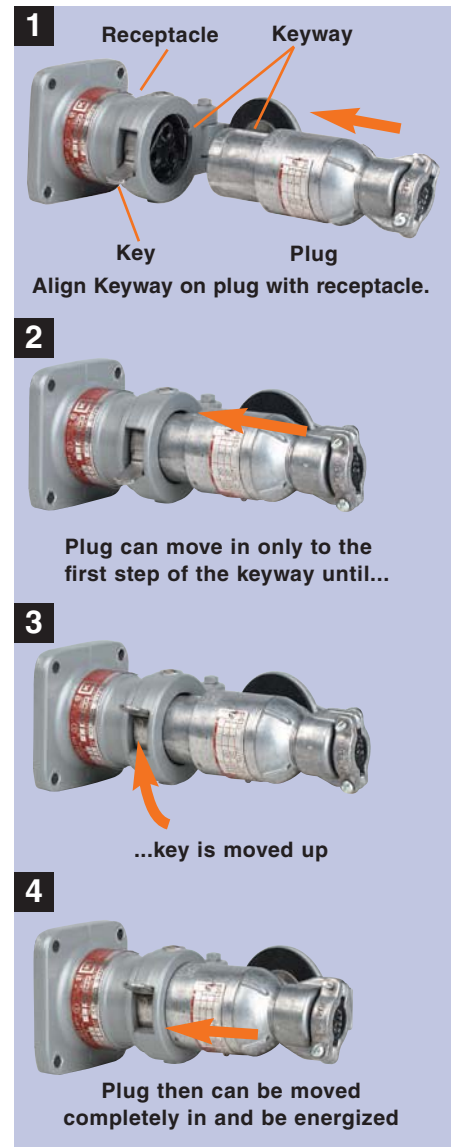
Both plugs and receptacles are equipped with an extra long grounding pole which establishes grounding before the power contacts are engaged. These grounding poles are also the last to break contact. This assures bonding of the portable device to the electrical conduit system.

**Selection**

Modifications are available by adding the following suffix to the catalog number. (Note: It must be added to both the plug and the receptacle so they will mate.)

MODIFICATIONS	
CATALOG NUMBER	DESCRIPTION
SU37	Interior contact assemblies are to be rotated 22-1/2° to the right.
SU38	Interior contact assemblies are to be rotated 22-1/2° to the left.

**Safety Time Delay Feature**



ELECTRICAL RATINGS					
TYPE	AMPERAGE	VOLTAGE VAC	CIRCUIT	H. P.	HERTZ
⊙20 AMP	20	115/230	2W3P	1	60
30 AMP	7	460	2W3P	1/2	60
	7	460	3W4P	1	60
	30	115/230	2W3P	1-1/2	60
	30	115/230	3W4P	3	60
60 AMP	30	460	2W3P	3	60
	30	460	3W4P	5	60
	60	115/230	2W3P	5	60
	60	115/230	3W4P	5	60



Ⓢ CSA approval on 20 Amp only.



**KRS Series**



**KRA**



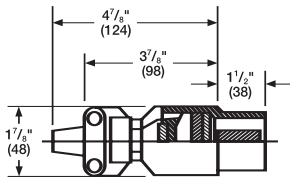
**Plug**

**Class I, Div. 1 & 2, Groups C,D<sup>Ⓛ</sup>**  
**Class I, Zones 1 & 2, IIB,IIA**  
**NEMA 7 (C,D)**

Listed File No. E23572

Certified File No. LR14667

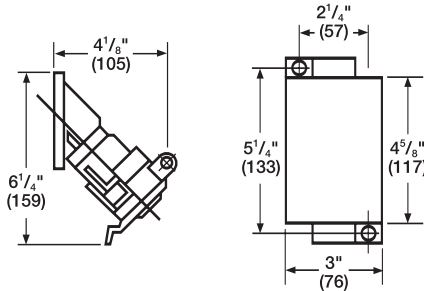
**FEATURES-SPECIFICATIONS**



KP 20 AMP PLUG	
CATALOG NO.	DESCRIPTION
KP-20ABC	Plug furnished with 3 grommets range .250 - .625

See page PR20 for available polarization options.

PR



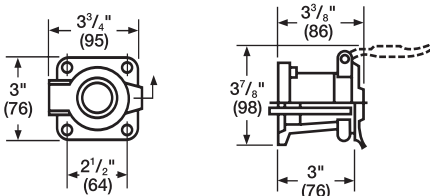
**KRS-Series**

KRS 20A 1Ø 2W RECEPTACLE WITH SWB BOX <sup>Ⓛ</sup>								
HUB SIZE	CATALOG NUMBER							
	SINGLE RECEPTACLE & DEAD END BOX	BOX ONLY	SINGLE RECEPTACLE & FEED-THRU BOX	BOX ONLY	DOUBLE RECEPTACLE & DEAD END BOX	BOX ONLY	DOUBLE RECEPTACLE & FEED-THRU BOX	BOX ONLY
1/2"	KRS-215-120	SWB-1	KRS-218-120	SWB-4	2KRS-215-120	SWB-7	2KRS-218-120	SWB-10
3/4"	KRS-215-220	SWB-2	KRS-218-220	SWB-5	2KRS-215-220	SWB-8	2KRS-218-220	SWB-11
1"	KRS-215-320	SWB-3	KRS-218-320	SWB-6	2KRS-215-320	SWB-9	2KRS-218-320	SWB-12

RECEPTACLE ONLY - CATALOG NUMBER KRS-20

<sup>Ⓛ</sup>KRS Series receptacles - Class I, Group D.

<sup>Ⓛ</sup>SWB Series mounting splice boxes only for receptacles shown above listed on page C29. See page PR20 for available polarization options.



**KRJ-Series**



**AJC**



**JLC**



**JLX**

ELECTRICAL RATING	
CIRCUIT	RATING (60 HERTZ)
1Ø 2W3P	20 AMPS 115/230 V.A.C. 1 H.P.

KRJ RECEPTACLE WITH AJ OR JL BOX			
HUB SIZE	CATALOG NUMBER		
	AJC	JLC	JLX
1/2"	—	KRJC-120	KRJC-120
3/4"	KRAJC-220	KRJC-220	KRJC-220
1"	KRAJC-320	—	—

BACK BOX ONLY			
1/2"	—	JLC-1	JLX-1
3/4"	AJC-2	JLC-2	JLX-2
1"	AJC-3	—	—

RECEPTACLE ONLY - CATALOG NUMBER KRJ-20

JL Series boxes shown on page F62. Refer to page headings for suitability of specific items.

See page PR20 for available polarization options.



**KILLARK<sup>®</sup>**

**KRS/KRJ SERIES PLUG**



**KRS Series**



**KRA Series**



**Plug**

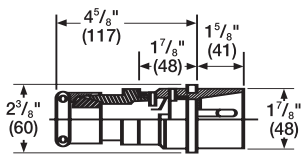
**Class I, Div. 1 & 2, Groups C,D<sup>Ⓢ</sup>**  
**Class I, Zones 1 & 2, IIB, IIA**  
**NEMA 7 (C,D)**



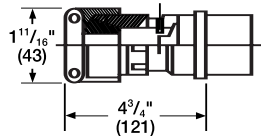
Listed - File E23572

See files for details or call Killark.

**FEATURES-SPECIFICATIONS**



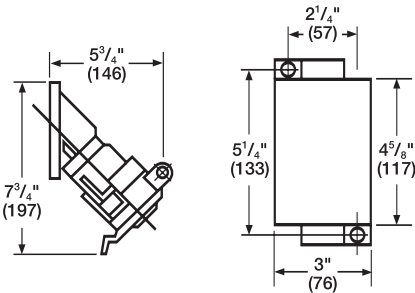
**D Type**



**E Type**

KP 30 AMP PLUG			
CATALOG NUMBER		PLUG TYPE	GROMMET RANGE
1Ø, 2-WIRE, 3-POLE	3Ø, 3-WIRE 4-POLE		
KP-303D23	KP-304D23	D	.375-.625
KP-303D45	KP-304D45	D	.625-.875
KP-303E45	KP-304E45	E	.875-1.125
KP-303E67	KP-304E67	E	1.125-1.375

See page PR20 for available polarization options.



**KRS-Series**

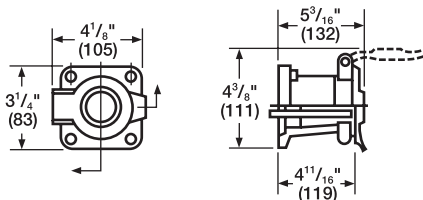
KRS RECEPTACLE WITH SWB BOX <sup>Ⓢ</sup>								
HUB SIZE	CATALOG NUMBER - SINGLE GANG ONLY							
	1Ø, 2-WIRE, 3-POLE DEAD END BOX	BOX ONLY	1Ø, 2-WIRE, 3-POLE FEED THRU BOX	BOX ONLY	3Ø, 3-WIRE, 4-POLE DEAD END BOX	BOX ONLY	3Ø, 3-WIRE, 4-POLE FEED THRU BOX	BOX ONLY
1/2"	KRS-215-1303	SWB-1	KRS-218-1303	SWB-4	KRS-215-1304	SWB-1	KRS-218-1304	SWB-4
3/4"	KRS-215-2303	SWB-2	KRS-218-2303	SWB-5	KRS-215-2304	SWB-2	KRS-218-2304	SWB-5
1"	KRS-215-3303	SWB-3	KRS-218-3303	SWB-6	KRS-215-3304	SWB-3	KRS-218-3304	SWB-6
RECEPTACLE ONLY	KRS-303				KRS-304			

<sup>Ⓢ</sup>KRS Series receptacles - Class I, Group D.

<sup>Ⓢ</sup>SWB Series mounting splice boxes for receptacles shown above listed on page C29.

Two gang models not available.

See page PR20 for available polarization options.



**KRJ-Series**

ELECTRICAL RATING	
CIRCUIT	RATING (60 HERTZ)
1 Ø	7 Amps 460 V.A.C. 1/2 H.P.
2-Wire	- OR -
3-Pole	30 Amps 115/230 V.A.C. 1-1/2 H.P.
3 Ø	7 Amps 460 V.A.C. 1 H.P.
3-Wire	- OR -
4-Pole	30 Amps 115/230 V.A.C. 3 H.P.



**AJC**



**JLC**



**JLX**

KRJ RECEPTACLE WITH AJ OR JL BOX				
CIRCUIT	HUB SIZE	CATALOG NUMBER		
		AJC	JLC	JLX
1Ø 2-Wire 3-Pole	1/2"	—	KRJC-1303	KRJX-1303
	3/4"	KRAJC-2303	KRJC-2303	KRJX-2303
	1"	KRAJC-3303	—	—
RECEPTACLE ONLY- CATALOG NUMBER KRJ-303				
3Ø 3-Wire 4-Pole	1/2"	—	KRJC-1304	KRJX-1304
	3/4"	KRAJC-2304	KRJC-2304	KRJX-2304
	1"	KRAJC-3304	—	—
RECEPTACLE ONLY- CATALOG NUMBER KRJ-304				
Back Box Only	1/2"	—	JLC-1	JLX-1
	3/4"	AJC-2	JLC-2	JLX-2
	1"	AJC-3	—	—

JL Series boxes shown on page F61. Refer to page headings for suitability of specific items.

See page PR20 for available polarization options.





**KRJ Series**

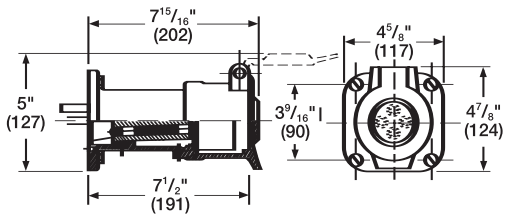
**KRA Series**

**Plug**

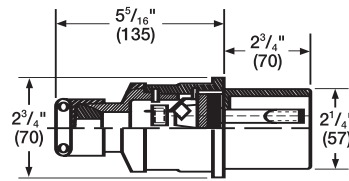
**Class I, Div. 1 & 2, Groups C,D**  
**Class I, Zones 1 & 2, IIB,IIA**  
**NEMA 7 (C,D)**

Listed File No. E23572

**FEATURES-SPECIFICATIONS**



**KRJ-60 Type Receptacles**

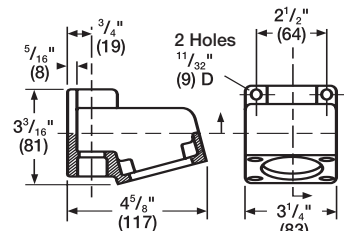


**KP Type Plugs**

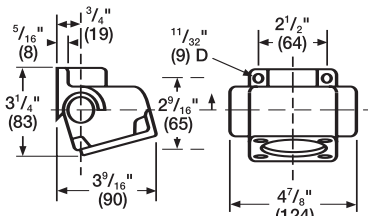
KR 60 AMP PLUGS		
CATALOG NUMBER		GROMMET RANGE
1Ø, 2-WIRE, 3-POLE	3Ø, 3-WIRE 4-POLE	
KP-603D345	KP-604D345	.500-.875
KP-603E45	KP-604E45	.875-1.125
KP-603E67	KP-604E67	1.125-1.375
—	KP-604F34	1.250-1.500
—	KP-604F56	1.500-1.750

See page PR20 for available polarization options.

**Dimensions-Back Boxes**



**AJAC Types**



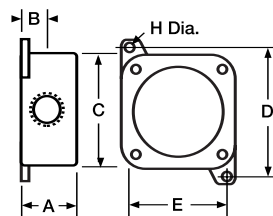
**AJAT Type**

KR RECEPTACLE ASSEMBLIES					
HUB SIZE	BOX STYLE	HUB STYLE	CATALOG NUMBER		
			1Ø, 2-WIRE 3-POLE	3Ø, 3-WIRE 4-POLE	SPLICE BOX ONLY
1"	JAL Series Boxes	"X"-3 Close-up Plugs Supplied	KRJX-3603	KRJX-3604	JALX-3
1-1/4"			KRJX-4603	KRJX-4604	JALX-4
1-1/4"	AJA Series Boxes	Feed Thru Top and Bottom	KRAJAC-4603	KRAJAC-4604	AJAC-4
1-1/2"			KRAJAC-5603	KRAJAC-5604	AJAC-5
2"			KRAJAC-6603	KRAJAC-6604	AJAC-6
1-1/4"		T Sides and Top	KRAJAT-4603	KRAJAT-4604	AJAT-4
1-1/2"			KRAJAT-5603	KRAJAT-5604	AJAT-5
RECEPTACLE ONLY			KRJ-603	KRJ-604	—

NOTE: For dead end box, use AJAC Series and CUP Series close-up plug.

See page PR20 for available polarization options.

ELECTRICAL RATING	
CIRCUIT	RATING (60 HERTZ)
1 Ø	30 Amps 460 V.A.C. 3 H.P.
2-Wire 3-Pole	— OR — 60 Amps 115/230 V.A.C. 3 H.P.
3 Ø	30 Amps 460 V.A.C. 5 H.P.
3-Wire 4-Pole	— OR — 60 Amps 115/230 V.A.C. 5 H.P.



**JAL Type**

JAL TYPE MOUNTING BOXES						
HUB	A	B	C	D	E	H
1"	2-3/8"	1-5/32"	4-5/8"	5-1/4"	4-1/8"	5/16"
1-1/4"	3-1/8"	1-17/32"	4-5/8"	5-1/4"	4-1/8"	5/16"





UGMG



Plug

**Class I, Div. 1 & 2, Groups B<sup>2</sup>, C, D**  
**Class I, Zones 1 & 2, Groups IIB+H<sub>2</sub>, IIA**  
**Class II, Div. 1 & 2, Groups F, G**  
**Class III**  
**NEMA 3, 7 (B, C, D), 9 (F, G)**

Listed File No. E91049 and/or E53660

Certified File No. LR14667

**FEATURES-SPECIFICATIONS**

**ACCEPTOR®**

The ACCEPTOR® UGP/UGR Plug and Receptacle system, with its unique, patented design, is interchangeable<sup>Ⓞ</sup> with other NEMA bladed type explosion-proof and dust ignition proof devices. The series has been tested and classified for use with Crouse-Hinds® Ark-Gard<sup>®2</sup> and Appleton® U-Line® plugs and receptacles in hazardous locations. **Now available in GFCI version. See page PR27.**

**How The Acceptor System Works**

ACCEPTOR receptacles contain an integral switch which must be closed to energize the circuit. The design permits only an approved plug to be energized. To actuate the switch, the plug must be inserted and rotated clockwise approximately 45°. The plug will lock into this position preventing accidental disengagement. To remove, simply turn the plug counterclockwise and pull straight out.

Plugs and receptacles may be used where interchangeable bladed devices are needed in locations made hazardous by the presence of flammable gases or vapors, combustible dusts or easily ignitable fibers and flyings.

Plug can serve to provide power for portable equipment used in both hazardous and non-hazardous areas.

**Applications**

- Petroleum Refineries
- Chemical Plants
- Wet/Damp Areas
- Corrosive Environments
- Petroleum Plants
- Grain Elevators

- Flour and Feed Mills
- Indoor or Outdoor Locations

**Features**

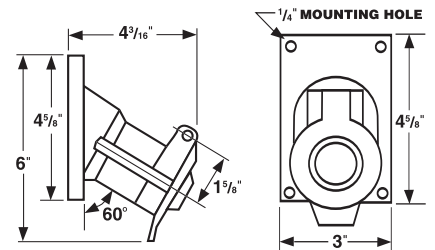
- All external hardware is 316 stainless steel to provide low maintenance and long life
- Factory sealed chamber in UGR receptacle contains switch's arcing components
- No additional external seals are required, except in Group B applications

- Receptacles are U.L. Listed as raintight. Proper sealing against moisture is assured
- Spring loaded receptacle cover closes when plug is removed to provide protection when not in use
- Copper-free aluminum (less than 4/10 of 1%) alloy resists corrosion
- Electrostatically applied and baked powder epoxy/polyester finish

<sup>Ⓞ</sup>Exact models classified for interchangeability are listed in the information sheet provided with the products.

Ark-Gard<sup>®</sup> is a registered trademark of Crouse-Hinds<sup>®</sup>.

U-Line<sup>®</sup> is a registered trademark of Appleton Electric Company<sup>®</sup>.



**PLUG**

ACCEPTOR® plugs conform to NEMA configurations and can be used with standard receptacles in non-hazardous areas to maximize equipment utilization. The system's "turn to engage" feature

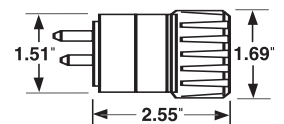
locks in plug and can be used to prevent accidental disengagement of critical equipment.

Plugs for use with type S, SO, ST or STO heavy duty cord.

VOLTAGE	NEMA CONFIGURATION	CATALOG NUMBER		NEMA CONFIGURATION	CATALOG NUMBER	
		15 AMP PLUG	15 AMP PLUG W/MESH GRIP		20 AMP PLUG	20 AMP PLUG W/MESH GRIP
125VAC	 5-15P	UGP-15231	UGP-15231MG	 5-20P	UGP-20231	UGP-20231MG
250VAC	 6-15P	UGP-15232	UGP-15232MG	 6-20P	UGP-20232	UGP-20232MG

<sup>Ⓞ</sup>Plugs Rated Group B when used with properly rated & installed receptacles. See next page.

Plugs with mesh grips (page PR26) are shipped as component plug and grip.



**KILLARK®**



SWB-1, 2, 3




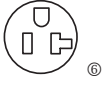






SWB-4, 5, 6



Single Gang



Double Gang

RECEPTACLES AND ASSEMBLIES <sup>④</sup>						
NEMA RATING & CONFIGURATION	ENCLOSURE STYLE	HUB SIZE	SINGLE GANG GROUPS C, D, F, & G <sup>③④</sup>	DOUBLE GANG GROUPS C, D, F, & G <sup>③④</sup>	SINGLE GANG GROUPS B <sup>①②</sup> , C, D, F & G	
 <b>20 Amp 125 Volt</b> 2 POLE 3 WIRE  <b>5-20R</b>	RECEPTACLE ONLY	—	UGRO-20231	UGRO-20231	—	
	DEAD END	1/2"	UGR1-20231	UGR7-20231	UGRB1-20231	
		3/4"	UGR2-20231	UGR8-20231	UGRB2-20231	
		1"	UGR3-20231	UGR9-20231	UGRB3-20231	
	FEED-THRU	1/2"	UGR4-20231	UGR10-20231	UGRB4-20231	
		3/4"	UGR5-20231	UGR11-20231	UGRB5-20231	
		1"	UGR6-20231	UGR12-20231	UGRB6-20231	
	 <b>15 Amp 125 Volt</b> 2 POLE 3 WIRE  <b>5-15R</b>	RECEPTACLE ONLY	—	UGROC-15231	UGROC-15231	—
		DEAD END	1/2"	UGR1C-15231	UGR7C-15231	UGRB1C-15231
3/4"			UGR2C-15231	UGR8C-15231	UGRB2C-15231	
1"			UGR3C-15231	UGR9C-15231	UGRB3C-15231	
FEED-THRU		1/2"	UGR4C-15231	UGR10C-15231	UGRB4C-15231	
		3/4"	UGR5C-15231	UGR11C-15231	UGRB5C-15231	
		1"	UGR6C-15231	UGR12C-15231	UGRB6C-15231	
 <b>20 Amp 250 Volt</b> 2 POLE 3 WIRE  <b>6-20R</b>		RECEPTACLE ONLY	—	UGRO-20232	UGRO-20232	—
		DEAD END	1/2"	UGR1-20232	UGR7-20232	UGRB1-20232
	3/4"		UGR2-20232	UGR8-20232	UGRB2-20232	
	1"		UGR3-20232	UGR9-20232	UGRB3-20232	
	FEED-THRU	1/2"	UGR4-20232	UGR10-20232	UGRB4-20232	
		3/4"	UGR5-20232	UGR11-20232	UGRB5-20232	
		1"	UGR6-20232	UGR12-20232	UGRB6-20232	
	 <b>15 Amp 250 Volt</b> 2 POLE 3 WIRE  <b>6-15R</b>	RECEPTACLE ONLY	—	UGROC-15232	UGROC-15232	—
		DEAD END	1/2"	UGR1C-15232	UGR7C-15232	UGRB1C-15232
3/4"			UGR2C-15232	UGR8C-15232	UGRB2C-15232	
1"			UGR3C-15232	UGR9C-15232	UGRB3C-15232	
FEED-THRU		1/2"	UGR4C-15232	UGR10C-15232	UGRB4C-15232	
		3/4"	UGR5C-15232	UGR11C-15232	UGRB5C-15232	
		1"	UGR6C-15232	UGR12C-15232	UGRB6C-15232	

PR

① Items in this column are suitable for Class I, Group B in addition to Class I, Groups C, D. Also suitable for Class I, Zone 1, Groups IIB+H2, IIA.  
 ② Seals must be installed within 6 inches of conduit opening.  
 ③ Items in this column may also be used in Class I, Zone 1, Groups IIB, IIA. Assembly numbers not rated for Group B are shipped as receptacle & back box components.  
 ④ Refer to Killark Product Catalog page C29 for additional SWB Series Back Box configurations.  
 ⑤ Canada only configuration  
 ⑥ Canadian Codes now allow "T" combination slots for 15A or 20A plugs. Check breaker and wire feed size for proper application ratings.



UGRA



UGMG



XHL



XHLF



UGRGF

### FEATURES-SPECIFICATIONS

#### UNIVERSAL ADAPTER KIT

ACCEPTOR® receptacles are available with an adapter kit for mounting to Crouse-Hinds® EDS Series or Appleton® EFD Series back boxes.

ACCEPTOR receptacles properly installed with these adapter kits are U.L. Listed for use in Class I, Div. 2, Groups B,C,D hazardous locations and Zone II, Groups IIB + H2, IIA.

Kit contains one ACCEPTOR® receptacle plus adapter plate and mounting bolts.

UGRA ADAPTER KIT	
NEMA RATING & CONFIGURATION	ADAPTER KIT CATALOG NUMBER
<b>20 Amp 125 Volt</b> 2 POLE 3 WIRE  <b>5-20R</b>	UGRA-20231
<b>20 Amp 250 Volt</b> 2 POLE 3 WIRE  <b>6-20R</b>	UGRA-20232

Listed File No. E91049

Certified LR14667

#### OPTIONAL STRAIN RELIEF GRIP FOR UGP PLUGS

Stainless steel grips for cable strain relief or bend control.

CATALOG NUMBER	DESCRIPTION
UGMG	Mesh grip

#### XHL SERIES HAND LAMPS

A handy accessory to the ACCEPTOR® Series, these hand lamps can be used as an illumination source where flammable materials are present, such as processed finish goods, storage vats, or handling areas.

See page L16 for detailed information and features.

XHL INCANDESCENT	
CATALOG NUMBER	DESCRIPTION
XHL-100	Handlamp
XHL-GL	Replacement globe
XHLG	Replacement guard
XHLS	Replacement socket

**XHL Incandescent**  
Class I, Div. 1 & 2, Groups C,D  
Class I, Zones 1 & 2, Groups IIB,IIA

Listed File No. E97760

Certified File No. LR10019

#### XHLF FLUORESCENT

CATALOG NUMBER	DESCRIPTION
XHLF26	Fluorescent hand lamp
XHLF26-50KP	Fluorescent hand lamp with 50' of 16/3 SOW cord and 15A Acceptor plug

**XHLF Fluorescent**  
Class I, Div. 1 & 2, Groups C,D  
Class I, Zones 1 & 2, Groups IIB,IIA  
Class II, Div. 1 & 2, Groups E,F,G

Listed File No. E97760

#### GFI PROTECTED RECEPTACLE

Utilizes FXS GFI and ACCEPTOR® receptacle to interrupt a circuit, when a ground fault is detected on equipment which may be handled by personnel in hazardous locations.

##### Features

- Test and Reset push buttons are provided on cover assembly. Unit should be tested monthly
- Includes new GFCI to meet latest UL943 GFCI standards revisions
- Exterior gasket provides NEMA 3 weatherproof protection
- Ground boss for grounding in the splice box
- Color coded wiring
- Cover bolts are made from stainless steel
- Receptacle used is UGRO-20231. See page PR25

NEMA RATING & CONFIGURATION	ENCLOSURE STYLE	HUB SIZE	CATALOG NUMBER
20A, 125V, 2P, 3W	Dead End	1/2"	UGRGF107
	Dead End	3/4"	UGRGF108
	Dead End	1"	UGRGF109
	Feed Thru	1/2"	UGRGF110
	Feed Thru	3/4"	UGRGF111
	Feed Thru	1"	UGRGF112

#### Electrical Rating

GFI units are rated at 20A, 120 VAC, 60Hz. Class A.

4-6 milliamp trip setting

Trip Time-UL Curve

**Class I, Div. 1 & 2, Groups C,D**  
**Class I, Zones 1 & 2, Groups IIB,IIA**  
**Class II, Div. 1 & 2, Groups E,F,G**  
**Class III**  
**NEMA 3, 7(C,D) 9(E,F,G)**

Listed - File E53360 and/or File E10501

Certified LR11714

See files for details or call Killark.





**ACCEPTOR®  
UGFI  
GROUND FAULT  
PROTECTOR**

- **Adapter Unit**  
Class I, Div. 2, Groups B,C,D  
Class I, Zone 2, Groups IIB+H<sub>2</sub>, IIA  
Class II, Div. 1 & 2, Groups F,G  
Class III, Div. 1 & 2
- **Hard-Wired Unit**  
Class I, Div. 1 & 2, Groups B<sup>Ⓛ</sup>,C,D  
Class I, Zones 1 & 2, Groups IIB+ H<sub>2</sub>, IIA  
Class II, Div. 1 & 2, Groups F,G  
Class III, Div. 1 & 2

**NEMA 3 ENCLOSURE TYPE  
(Adapter or Hard-Wired units)**

- UL Listed File No. E91049
- SF Certified File No. LR14667

**FEATURES-SPECIFICATIONS**

**Adapter Unit**

- No need to permanently alter existing installations; **Portable Unit** can be temporarily hung using included strap near an existing receptacle wherever protection is required
- Factory Sealed Unit
- Acceptor® plug and cord set included with **Adapter Unit**. Cord is 36"

**Hard-Wired Unit**

- provides GFCI and circuit protection in new installations, or as an upgrade or replacement for non-GFCI receptacles
- Factory Sealed, except Group B<sup>Ⓛ</sup>

**Adapter and Hard-Wired Unit**

- GFCI device also provides circuit protection, for connected apparatus, against current overload and short circuits
- Acceptor® receptacles and plugs are interchangeable with both Crouse-Hinds® Ark-Gard®<sup>2</sup> and Appleton® U-Line® products<sup>Ⓛ</sup>
- Large pilot light provides indication that the receptacle is energized.

- Units can be Padlocked OFF for maintained safety
- Fully gasketed GFCI compartment prevents moisture from damaging electronic components
- Same high quality materials as the standard ACCEPTOR®
- <sup>Ⓛ</sup> Hard-Wired assemblies in Group B areas require sealing within 6" of enclosure.
- <sup>Ⓛ</sup> Exact models classified for interchangeability are listed in the information sheet provided with the products.

Ark-Gard® is a registered trademark of Crouse-Hinds®.

U-Line® is a registered trademark of Appleton Electric Company®.

The GFCI protected ACCEPTOR® is the solution to OSHA's requirements for GFCI protection when using portable equipment in hazardous and wet locations. For use with 120 volt 15 or 20 amp receptacles without GFCI protection, the **Adapter Unit** provides GFCI and circuit protection to connected apparatus by simply being plugged into an existing receptacle.

The **Hard-Wired Unit** provides the same protection and is used directly as a GFCI protected device. Units are feed-through with one close-up plug.

HARD WIRED (PERMANENTLY MOUNTED) GFCI RECEPTACLE			
20A 125V		1/2" HUB	UGFI20C1
		3/4" HUB	UGFI20C2
		1" HUB	UGFI20C3
15A 125V		1/2" HUB	UGFI15C1
		3/4" HUB	UGFI15C2
		1" HUB	UGFI15C3

GFCI RECEPTACLE ADAPTER (W/CORD SET)		
20A 125V	UGFI20AD	
15A 125V	UGFI15AD	

