

## ROTARY SIREN

KEMA 02ATEX2239

CE Ex II 2G  
-20°C +40°C / EEx-d IIC T5

- Material: Copper free Aluminium
- Painted RAL 6003
- IP 65
- No. 1 entry diam. M25
- 110 db at 1 mt.
- Running condition ON=2' – OFF=5'  
Power from 120 to 170W

## SIRENA ROTATIVA

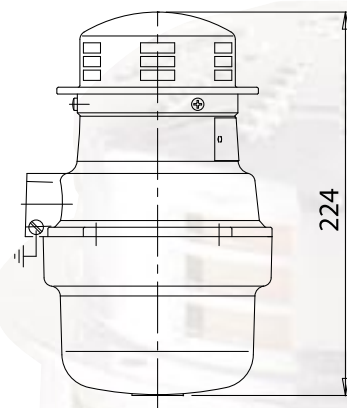
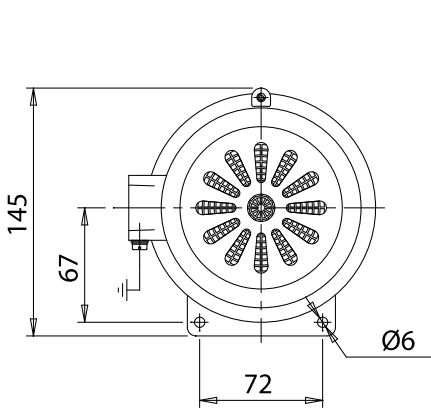
KEMA 02ATEX2239

CE Ex II 2G  
-20°C +40°C / EEx-d IIC T5

- Materiale: Lega di Alluminio
- Verniciata RAL 6003
- IP 65
- No.1 imbocco diam. M25
- 110 db a 1 mt.
- Funzionamento intermittente ON=2'  
– OFF=5'  
Potenza da 120 a 170W



Code	Type	Voltage	WEIGHT ≅ KG.
A048905	ETS 10 – 12V	12V/50-60Hz. 12Vc.c.	2,540
A048904	ETS 10 – 24V	24V/50-60Hz. 24Vc.c.	2,540
A048903	ETS 10 – 48V	48V/50-60Hz. 48Vc.c.	2,540
A048902	ETS 10 – 110V	110V/50-60Hz. 110Vc.c.	2,540
A048901	ETS 10 – 220V	220V/50-60Hz. 220Vc.c.	2,540





## ELECTRIC HORN

KEMA 02ATEX2239

CE II 2G  
-20°C +40°C / EEx-d IIC T5

- Material: Copper free Aluminium
- Painted RAL 6003
- IP 65
- No. 1 entry diam. M25
- 95 db at 1 mt.
- Running condition ON=2' – OFF=5'  
Power from 60 to 80W

## CLACKSON

KEMA 02ATEX2239

CE II 2G  
-20°C +40°C / EEx-d IIC T5

- Materiale: Lega di Alluminio
- Verniciata RAL 6003
- IP 65
- No.1 imbocco diam. M25
- 95 db a 1 mt.
- Funzionamento intermittente ON=2'  
– OFF=5'  
Potenza da 60 a 80W

Code	Type	Voltage	WEIGHT ≅ KG.
A048601	ETH 20 – 12V	12V/50Hz.	2,000
A048602	ETH 20 – 24V	24V/50Hz.	2,000
A048603	ETH 20 – 48V	48V/50Hz.	2,000
A048604	ETH 20 – 110V	110V/50Hz.	2,000
A048605	ETH 20 – 220V	220V/50Hz.	2,000

