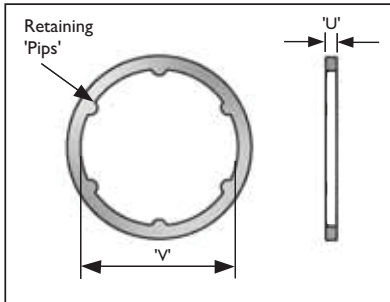
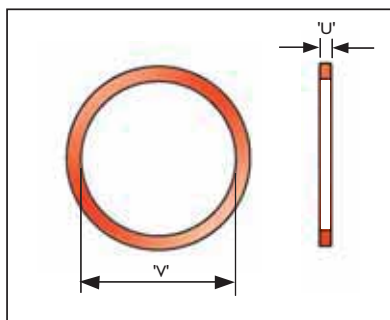


Nylon Sealing Washer



Red Fibre Washer



SEALING WASHER SELECTION TABLE		
Metric Cable Gland Size 'V'	NPT * Cable Gland Size 'V'	'U'
M20	1/2"	1.5
M20	3/4"	1.5
M25	1"	1.5
M32	1 1/4"	1.5
M40	1 1/2"	1.5
M50	2"	1.5
M63	2 1/2"	1.5
M75	3"	1.5
M80	3 1/2"	1.5
M90	3 1/2"	1.5
M100	4"	1.5

General Information

All dimensions in millimetres (except* where dimensions are in inches). Washers for M80, M90 and M100 sizes are only available in Red Fibre.

Application

- For use on cable gland entry threads.

Features

- To maintain ingress protection rating at the enclosure.
- Retaining 'Pips' make washer captive on metric cable gland entry thread.

Technical Data

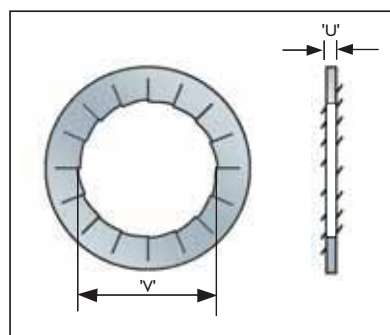
- Operating Temperature range -60°C to +100°C as standard.

Ordering Examples

Sealing Washer Type/Size/Thread

e.g. Nylon Washer/M25
Fibre Washer/M25

Serrated Washer



SERRATED WASHER SELECTION TABLE		
Metric Cable Gland Size 'V'	NPT * Cable Gland Size 'V'	'U'
M20	1/2"	1.5
M20	3/4"	1.5
M25	1"	1.5
M32	1 1/4"	1.5
M40	1 1/2"	1.5
M50	2"	1.5
M63	2 1/2"	1.5
M75	3"	1.5

General Information

All dimensions in millimetres (except* where dimensions are in inches).

Application

- For use on cable gland entry threads.

Features

- To dampen vibrations of the cable gland/equipment assembly which may loosen the cable gland or locknut.

Materials & Finishes

Hawke serrated washers are manufactured in stainless steel (standard).

Ordering Examples

Serrated Washer/Size/Thread

e.g. Serrated Washer/M25
Serrated Washer/1" NPT