



Cable Gland Entry Positions PL6 Series GRP Enclosures

Increased Safety EExe

PL6 Series Gland Entry Positions

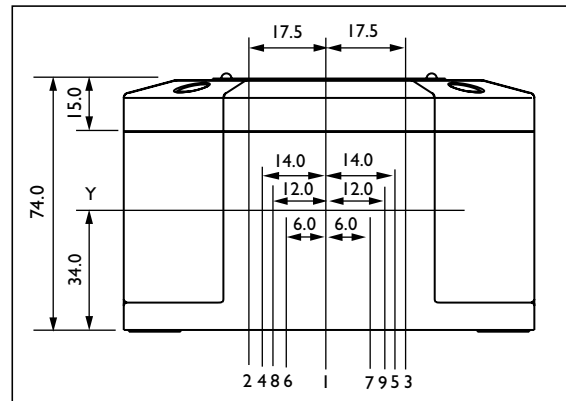
PL612 CABLE GLAND ENTRY POSITIONS			
Entries Per Face	Standard Positions of Entries (Maximum Sizes Shown - Equivalent Parallel Threads or Smaller Permissible)		
	M16/M20	M25	M32
1	1Y or 8Y # or 9Y #	1Y or 6Y # or 7Y #	1Y *
2 \$	2Y & 3Y (No Continuity Plate) 4Y & 5Y (With Continuity Plate) Max. Gland Size 24 A/F Shroud not Possible	-	-

* Continuity Plate not permitted.

This entry position is offset from the terminal rail.

\$ Double entries may not be possible with full terminal rail capacity see page 41.

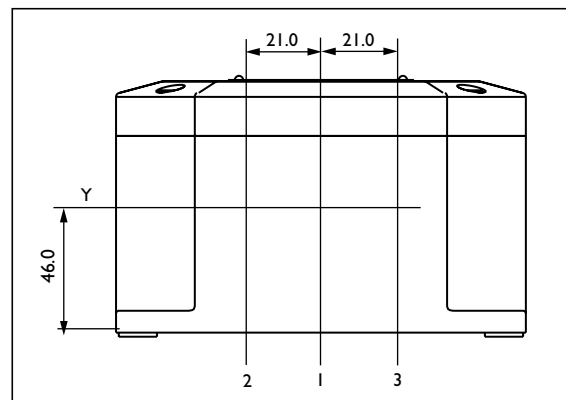
Note : Non-standard/mixed entry positions may be available. Please contact Hawke Sales.



All Dimensions in millimetres.

PL615 CABLE GLAND ENTRY POSITIONS			
Entries Per Face	Standard Positions of Entries (Maximum Sizes Shown - Equivalent Parallel Threads or Smaller Permissible)		
	M16/M20	M25	M32
1	1Y	1Y	1Y
2	2Y 3Y	2Y 3Y	-

Note : Non-standard/mixed entry positions may be available. Please contact Hawke Sales.



All Dimensions in millimetres.