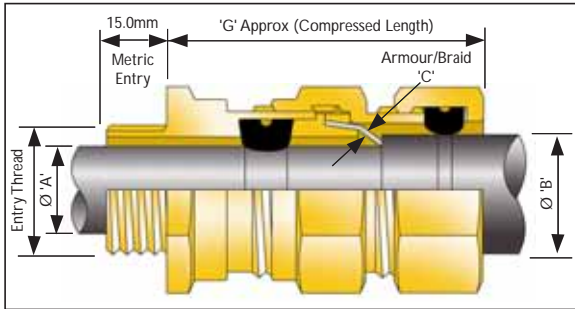


Oversize, G, H & J Cable Glands

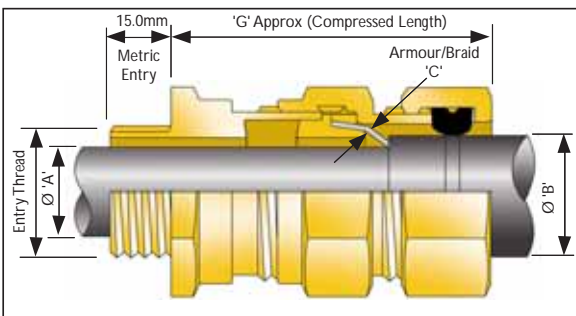


Flameproof/Increased Safety and Industrial

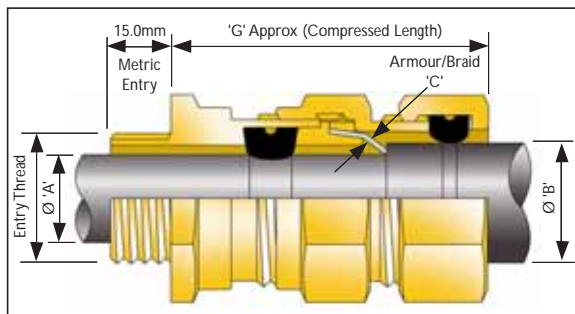
501/453 Flameproof / Increased Safety



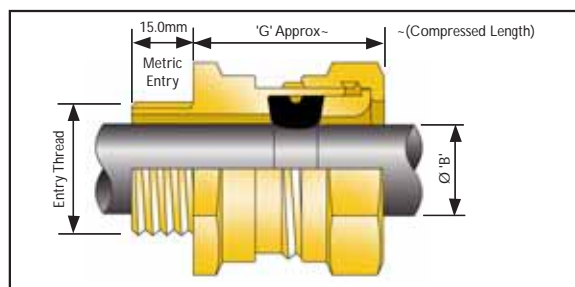
151 Industrial



153 Industrial



321 Increased Safety



The 321 cable gland is manufactured in brass (standard), nickel plated brass, 316 stainless steel or aluminium. Brass NPT entries are nickel plated as standard.

501/453

Assembly instruction data sheet
No. A.I. 303.

For application, features, technical data, general information, materials/finishes and cable gland ordering examples, please refer to :-

Page 13 (501/453/Universal).

Page 14 (501/453/RAC).

Page 15 (501/453/RAC/L).

151

Assembly instruction data sheet
No. A.I. 314.

For application, features, technical data, general information, materials/finishes and cable gland ordering examples, please refer to :-

Page 42 (151/RAC).

153

Assembly instruction data sheet
No. A.I. 303.

For application, features, technical data, general information, materials/finishes and cable gland ordering examples, please refer to :-

Page 39 (153/RAC).

Page 40 (153/RAC/L).

American Series Cable Glands

'H' Size (M90) cable glands are available with the exception of the 755.

Please contact Hawke International for details.

All of Hawke's Hazardous Area cable glands are dual certified (i.e. Flameproof and Increased Safety). The following cable glands are also available to Increased Safety certification only.

321

Assembly instruction data sheet
No. A.I. 307. For sizes O s to J.
Baseefa Certificate No. BAS 01 ATEX 2266X.

For application, features, technical data, general information, materials/finishes and cable gland ordering examples, please refer to :-

Page 11 (501/421).

Oversize G, H and J Cable Glands

Increased Safety
Cable Glands