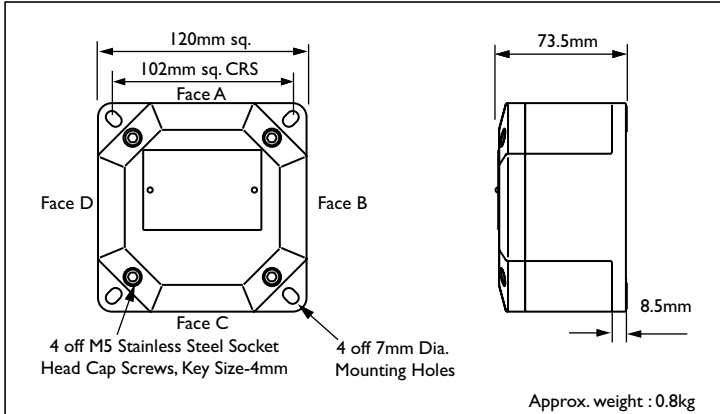




Enclosure Type Glass Reinforced Polyester PL612 Increased Safety EExe

PL6 Series GRP Enclosures



Technical Data

- Increased Safety EExe. $\text{Ex} \text{ II } 2 \text{ GD EExe II}$.
- PL612 BASEEFA Certificate No. BAS 01 ATEX 2107X.
- ZPL612 BASEEFA Certificate No. BAS 01 ATEX 2101U.
- Suitable for use in Zone 1, Zone 2, Zone 21 & Zone 22.
- Construction and test standards EN 50014, EN 50019 and EN 50281-1-1. IEC 60079-0 and IEC 60079-7.
- IP66 and IP67 ingress protection to IEC 60529 and EN 60529.
- DTS01 deluge protection witnessed by EECs.
- Operating temperature range -60°C to +75°C.
- Temperature Class and Ambient T6 40°C. Optional T5 with ambients up to 65°C.
- Assembly instruction data sheet No. A.I. 273. For PL612.
- Assembly instruction data sheet No. A.I. 272. For ZPL612.
- Alternative Certification Options Available.

- Exe II.
- AExe II/Exe II.

For full Technical Specification see page 13.

| MAXIMUM QUANTITY OF ENTRIES PER FACE | | | |
|--------------------------------------|---------|-----|-----|
| Thread Size | M16/M20 | M25 | M32 |
| Quantity | 2 * | 1 | 1# |

* Shroud not possible with earth continuity plate option.

Not possible with an earth continuity plate.

Note: For Cable Entry Positions see page 11.

| TERMINAL CAPACITY DATA | | | | | | | | |
|------------------------|-----------------------------------|---|------------|--------------------------------|--------------------------------|--|------|-----|
| Terminal Type | Conductor Size (mm ²) | | Max. Volts | Max. Physical Terminal Content | | Reduced Terminal Content at Max. Terminal Amps | | |
| | Min. | Max. | | Terminal Quantity | Amps | Terminal Quantity | Amps | |
| WDU 2.5N | 0.5 | 2.5 | 420 | 12 | 16 | 7 | 21 | |
| WDU 2.5 | 0.5 | 2.5 | 550 | 10 | 18 | 8 | 21 | |
| WDU 4 | 0.5 | 4 | 750 | 10 | 23 | 7 | 28 | |
| WDU 6 | 0.5 | 6 | 550 | 7 | 34 | 6 | 36 | |
| WDU 10 | 1.5 | 10 | 550 | 6 | 47 | 5 | 50 | |
| BK6 | 1 | 4 | 275 | 1 | 21 | N/A | N/A | |
| MK6/6 | 1 | 6 | 420 | 1 | 26 | N/A | N/A | |
| HTB6 | 0.5 | Max. Per Pillar: 2 x 10mm ² 3 x 6mm ² 4 x 4mm ² 4 x 0.5mm ² MIN | 550 | 1 | Conductor Size mm ² | Max Amps Per Pillar | N/A | N/A |
| | | | | | 0.5 | 1 | | |
| | | | | | 0.75 | 1 | | |
| | | | | | 1 | 8 | | |
| | | | | | 1.5 | 10 | | |
| | | | | | 2.5 | 15 | | |
| | | | | | 4 | 21 | | |
| 6 | 26 | | | | | | | |
| 10 | 37 | | | | | | | |

Notes: For Junction Box Wattage Factor & Combined Terminal Resistance see pages 37 - 39.
An earth terminal equal to that of the largest power terminal will be fitted.