

# Assembly Instructions for stopping plug: 476 EExde I/EExde II

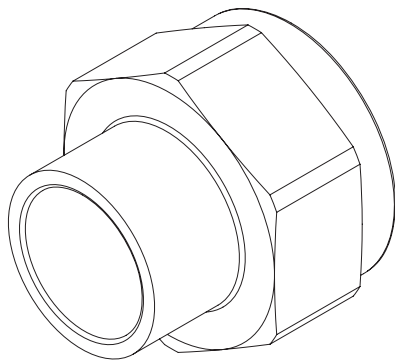
**HAWKE**  
International

Assembly Instructions  
AI 377 / Issue A - 04/07

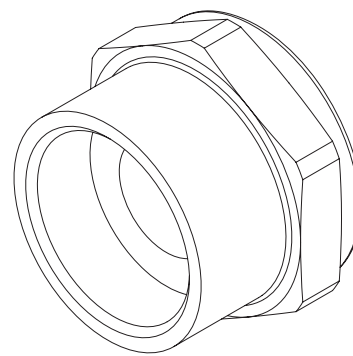
## Certification Details

Adaptor / Reducer Type: 476 EExde II  
Sira No: 06ATEX I 240U Ⓢ II 2 GD IP66

Adaptor / Reducer Type: 476 EExde I  
Sira No: 06ATEX I 240U Ⓢ IM 2 IP66



**Type 476 Adaptor**



**Type 476 Reducer**

## Step 1 (Prior to installation)

Ensure the male thread type and size of the adaptor / reducer is compatible with the enclosure thread.

Where ingress protection above IP54 is required in threaded entries, the use of a suitable non-setting thread sealant or sealing washer is recommended.

Care should be taken to ensure that any electrical continuity is not affected.

Where the adaptor / reducer is fitted into a plain hole (Non-EExd applications) a seal shall be fitted between the enclosure and the adaptor / reducer to maintain the enclosure IP rating. The adaptor / reducer must be secured using a locknut and locking washer.

## Step 2

Fully tighten adaptor / reducer into the enclosure using a wrench / spanner.


### For Flameproof Applications

With parallel threads, the minimum number of threads engaged must be 5 with an axial engagement of 8mm.

With taper threaded adaptors and reducers the number of threads engaged may be less than this.

**Note:** Do not use a stopping plug to close off the female thread of the adaptor / reducer.  
Only one adaptor / reducer shall be used with any enclosure entry.  
The female thread of an adaptor must not be more than one size greater than the male e.g. 1" NPT to 1 1/4" NPT.

**Safety First**

Hawke International is a division of Hubbell Ltd.  
Registered No. 669157 in England. Registered Office:  
Mitre House, 160 Aldersgate Street, London EC1A 4DD.  
 A member of the Hubbell Group of Companies

Hawke International  
UK Office  
Oxford Street West,  
Ashton-Under-Lyne,  
Lancashire  
OL7 0NA, UK

AI 377 - Issue A / Page 1 of 1  
Sales (UK): 0870 606 0105  
Sales: +44 (0) 161 830 6698  
Technical (UK): 0870 458 9358  
Technical: +44 (0) 161 830 6697  
Fax: +44 (0) 161 830 6648  
E-mail: sales@ehawke.com

[www.ehawke.com](http://www.ehawke.com)