

# WALL & CEILING

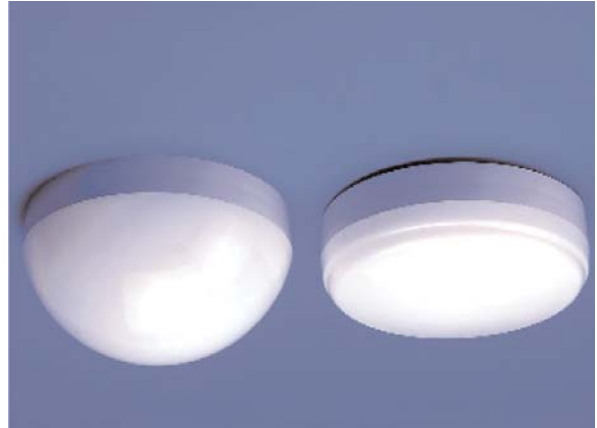
## SURFACE MOUNTED LUMINAIRE

# INDUSTRIAL

The Wall & Ceiling range of surface and semi recessed luminaires is for compact fluorescent and GLS lamps. They are all-round luminaires constructed from impact resistant, non-corrosive white polycarbonate with a choice of shallow or dome diffuser.

For semi-recessed applications, a recessing kit can be included with the luminaire or ordered separately.

**APPLICATIONS:** Suitable for accommodation areas, cabins, corridors and bathrooms.



### Standard Specification

Ingress Protection:	<b>IP44 to EN60529</b>
Enclosure:	<b>Polycarbonate construction</b>
Entries:	<b>Ø20mm knock-outs</b>
Termination:	<b>3 core 2.5mm<sup>2</sup> max conductors</b>
Internal Wiring:	<b>Stranded, heat resistant wiring to 105°C max</b>
Standard Diffuser:	<b>Dome diffuser</b>
Mounting:	<b>Mounted directly to wall or ceiling. Installation kit supplied</b>
Control Gear:	<b>Copper and Iron control gear</b>
Relamping:	<b>Via diffuser</b>
Electrical Supply:	<b>230V 50Hz (Always state V/Hz when ordering)</b>



United Kingdom Tel: +44 (0) 141 882 5555  
Benelux Tel: +31 (0) 302 467 132  
Abu Dhabi Tel: +971 2621 3496  
Dubai Tel: +971 4334 2823  
Singapore Tel: +65 6282 2242

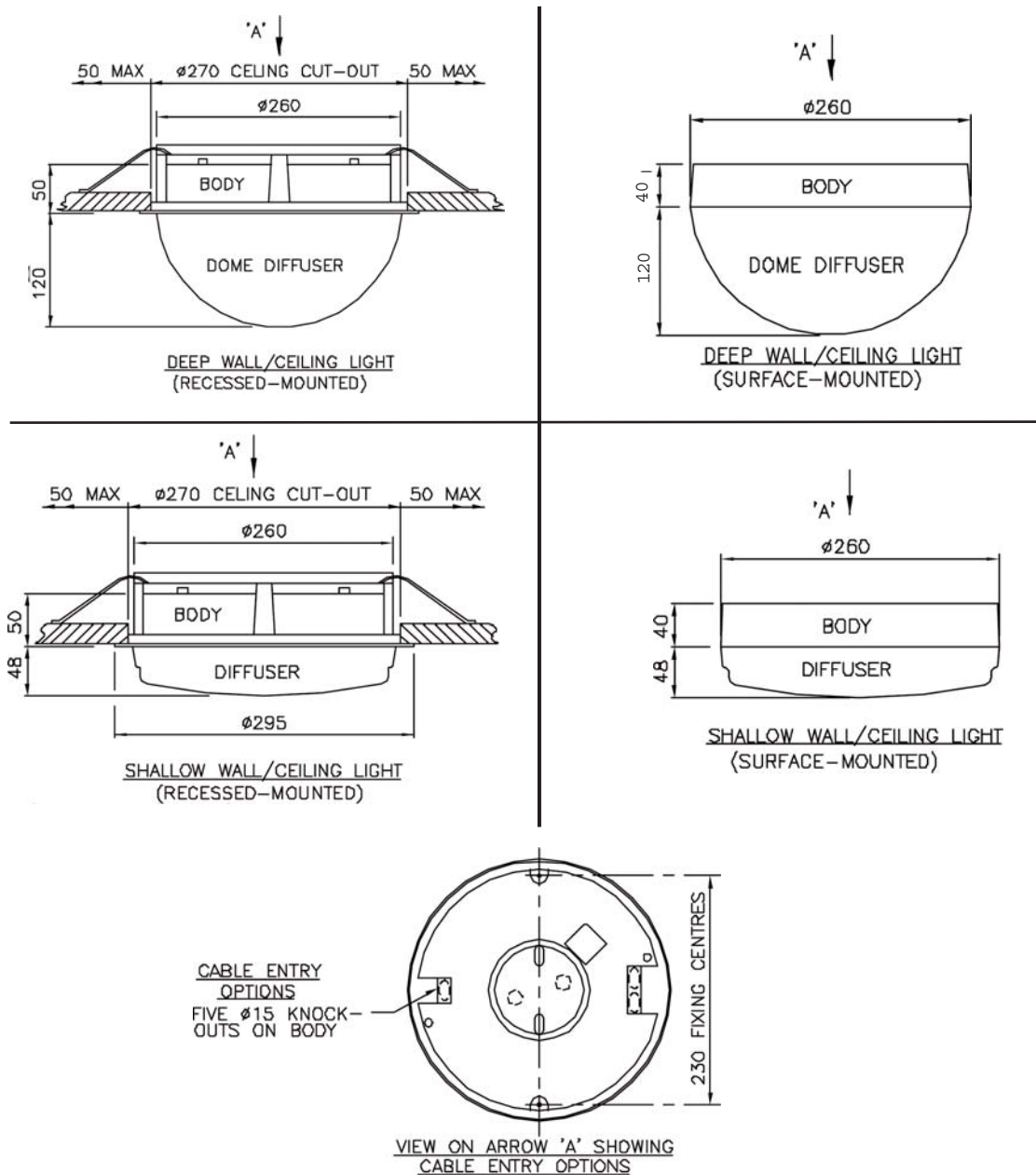
Fax: +44 (0) 141 883 3704  
Fax: +31 (0) 302 467 133  
Fax: +971 2631 2152  
Fax: +971 4334 7974  
Fax: +65 6284 4244

Email: info@chalmit.com  
Email: john.van.straalen@planet.nl  
Email: rwood@emirates.net.ae  
Email: albertmf@emirates.net.ae  
Email: chalmits@singnet.com.sg

Std. Cat No.	Wattage	Lamp type	Lampholder	Weight
CWLI/075/GL	75W	GLS	E27	0.9kg
CWLI/209/CF	2 x 9W	PL-S/2P	G23	1.2kg

**Options Suffix to Catalogue No.**

/60	60Hz supply
/110	110V/50Hz supply (2x9W models)
/120/60	120V/60Hz supply (2x9W models)
/R	Recessed
/SD	Shallow dome (2x9W models)



**Accessories (Should be ordered separately)**

**Catalogue Order Code**

Brass coloured polycarbonate Cowl Kit for shallow dome (Indoor use only)	SWALL-0001
White Polycarbonate Cowl Kit for shallow dome (Indoor and Outdoor use)	SWALL-0002
White Polycarbonate Recessing Kit for both domes (Indoor and Outdoor use)	SWALL-0003



United Kingdom	Tel: +44 (0) 141 882 5555	Fax: +44 (0) 141 883 3704	Email: info@chalmit.com
Benelux	Tel: +31 (0) 302 467 132	Fax: +31 (0) 302 467 133	Email: john.van.straalen@planet.nl
Abu Dhabi	Tel: +971 2621 3496	Fax: +971 2631 2152	Email: rwood@emirates.net.ae
Dubai	Tel: +971 4334 2823	Fax: +971 4334 7974	Email: albertmf@emirates.net.ae
Singapore	Tel: +65 6282 2242	Fax: +65 6284 4244	Email: chalmits@singnet.com.sg

For the latest product information - [www.chalmit.com](http://www.chalmit.com)