

# STERLING SS

## STAINLESS STEEL FLUORESCENT

# INDUSTRIAL

The Sterling Stainless Steel shares many of the features of the Sterling with the added benefit of having a stainless steel body and is suitable for use with fluorescent lamps up to 58W. It is especially suitable for areas requiring excellent corrosion resistance and protection from mechanical damage.

Manufactured in marine grade 316 stainless steel with a polycarbonate diffuser, quick release stainless steel clips and sealed to IP65, the Sterling SS complements the Sterling range and is especially suitable for harsh industrial environments.

The luminaire is available in both single and twin lamp versions. The option of standard switchstart, electronic switchstart, high frequency and emergency battery back-up ensures the Sterling SS can cope with the most demanding situations.



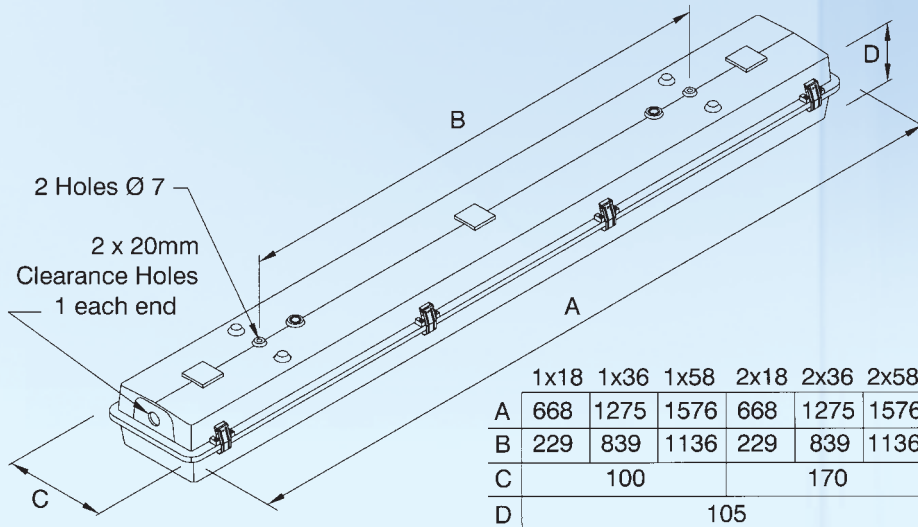
### Standard Specification

Ingress Protection:	<b>IP65 to EN60529</b>
Enclosure:	<b>316 grade stainless steel body, clear polycarbonate diffuser &amp; quick release stainless steel clips.</b>
Reflector/Geartray:	<b>White epoxy polyester coated steel</b>
Entries:	<b>3 x 20mm entries (2 at one end, 1 at other end)</b>
Termination:	<b>Looping &amp; through wiring for 3 core 4mm<sup>2</sup> conductors (4 core on Emergency models)</b>
Installation:	<b>Access via two 6mm holes on rear of body</b>
Control Gear:	<b>Switchstart copper/iron</b>
Relamping:	<b>Via quick release stainless steel clips</b>
Lampholder:	<b>G13</b>
Electrical Supply:	<b>240V 50Hz (Always state V/Hz when ordering)</b>

Std. Cat No.	Wattage	Lamp type	Lampholder	Weight
STSI/118/BI	1 x 18W	T8 Fluorescent	G13	4.2kg
STSI/218/BI	2 x 18W	T8 Fluorescent	G13	3.6kg
STSI/136/BI	1 x 36W	T8 Fluorescent	G13	4.2kg
STSI/236/BI	2 x 36W	T8 Fluorescent	G13	4.8kg
STSI/158/BI	1 x 58W	T8 Fluorescent	G13	6.1kg
STSI/258/BI	2 x 58W	T8 Fluorescent	G13	6.5kg
STSI/118/BI/EM	1 x 18W	T8 Fluorescent	G13	7.0kg
STSI/218/BI/EM	2 x 18W	T8 Fluorescent	G13	6.4kg
STSI/136/BI/EM	1 x 36W	T8 Fluorescent	G13	7.0kg
STSI/236/BI/EM	2 x 36W	T8 Fluorescent	G13	7.6kg
STSI/158/BI/EM	1 x 58W	T8 Fluorescent	G13	8.9kg
STSI/258/BI/EM	2 x 58W	T8 Fluorescent	G13	9.3kg

### Options - Suffix to Catalogue No.

/---	Specific voltage: 110, 120, 130, 220, 254V
/60	60Hz supply (copper/iron ballasts only)
/ES	Electronic start (copper/iron ballast only)
/HF	High frequency ballast. 220-240V 50/60Hz as standard
/M25	M25 cable entries
/CM	Body c/w ceiling mounting brackets



### Accessories (Should be ordered separately)

Accessories (Should be ordered separately)	Catalogue Order Code
Offset ceiling bracket assembly	SSTGN-1006
Pole mounting bracket assembly (38/50 diameter poles)	SSTGN-1008
C' form hook type ceiling bracket assembly	SSTGN-0007
Flush mounted wall bracket assembly	SSTGN-0006
18W wall mounting outreach bracket (use with SPRO4-0003)	NPRO4-0008
36W wall mounting outreach bracket (use with SPRO4-0003)	NPRO4-0012
58W wall mounting outreach bracket (use with SPRO4-0003)	NPRO4-0022

Product design and specification are subject to change without notice.  
Please check website for latest specification



Electrical Products

Rev 02 - Sept 2006