

PYRAMID

LOW BAY LUMINAIRE

INDUSTRIAL

The Pyramid low bay luminaire offers excellent light distribution for high intensity discharge lamps up to 400W.

The Pyramid low bay can be either suspended, pendant or surface mounted. Available in 2 sizes, the enclosure is manufactured from painted zinc coated mild steel and tested to IP65 which makes it an ideal luminaire for under canopy lighting, warehouse, factories etc, where an even light distribution is required from the least number of luminaires.

Also ideal for use in cold stores - HPS to -40" C, MBF to -25 C, MBI to -30 C.



Standard Specification

Ingress Protection:	IP65 to EN60529
Enclosure:	Zinc coated mild steel with epoxy powder paint. Polycarbonate lens with silicone gasket and stainless steel fixings
Entries:	2 x M20 clearance hole as standard
Termination:	3 core 6mm² max conductors
Reflector:	Anodised aluminium
Installation:	Surface mounted as standard 4 x 10mm clearance holes
Relamping:	Access via front cover
Control Gear:	Internal copper/iron ballast with ignitor
Electrical Supply:	220-254V 50Hz

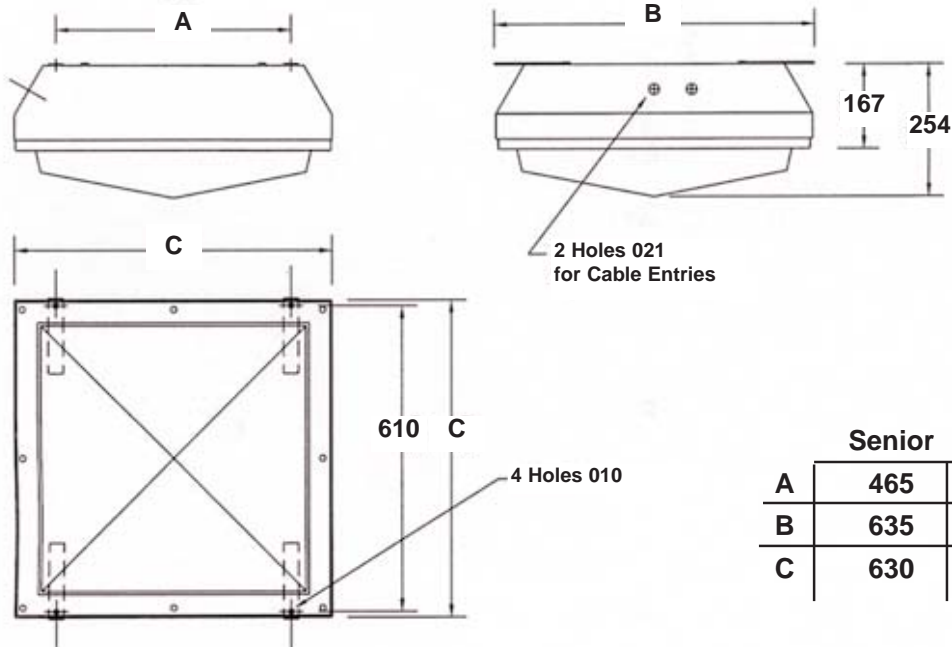
Std. Cat No.	Wattage	Lamp type	Lampholder	Weight
Junior Model				
PYJI/050/HS	50W	SON	E27	4.0kg
PYJI/070/MS	70W	SON/MBI	E27	4.0kg
PYJI/050/MV	50W	Mercury Vapour	E27	4.0kg
PYJI/080/MV	80W	Mercury Vapour	E27	4.0kg
PYJI/125/MV	125W	Mercury Vapour	E27	4.0kg

Senior Model

PYSI/150/MS	150W	SON/MBI	E40	20kg
PYSI/250/MS	250W	SON/MBI	E40	20kg
PYSI/400/MS	400W	SON/MBI	E40	20kg
PYSI/250/MV	250W	Mercury Vapour	E40	20kg
PYSI/400/MV	400W	Mercury Vapour	E40	20kg

Options - Suffix to Catalogue No.

/60	60Hz supply
/M25	M25 cable entries
/PD	Pendant mounted version
/SM	Suspension mounted version
/AL	Auxiliary T/H lamp
/RE	Recessed Version (Pyramid Senior 150 & 250W only)



	Senior	Junior
A	465	150
B	635	150
C	630	370

Drawing shows Pyramid Senior Only

Product design and specification are subject to change without notice.
Please check website for latest specification



Electrical Products

Rev 03 - May 2007