

PROTECTA

INDUSTRIAL

STAINLESS STEEL

SURFACE MOUNTED FLUORESCENT

The Protecta luminaire for tubular fluorescent lamps is also made with a stainless steel body. Protecta Stainless Steel has excellent durability as it is constructed using 316S31 stainless steel and a polycarbonate diffuser.

The product is intended for applications where chemical agents which could attack GRP are present.

The strong, simple and reliable enclosure affords a high degree of ingress protection. The ease of access to lamps and control gear ensures that installation and maintenance will be completed quickly and efficiently.

Emergency version is also available
c/w 3 hour Ni-Cad battery back-up



Standard Specification

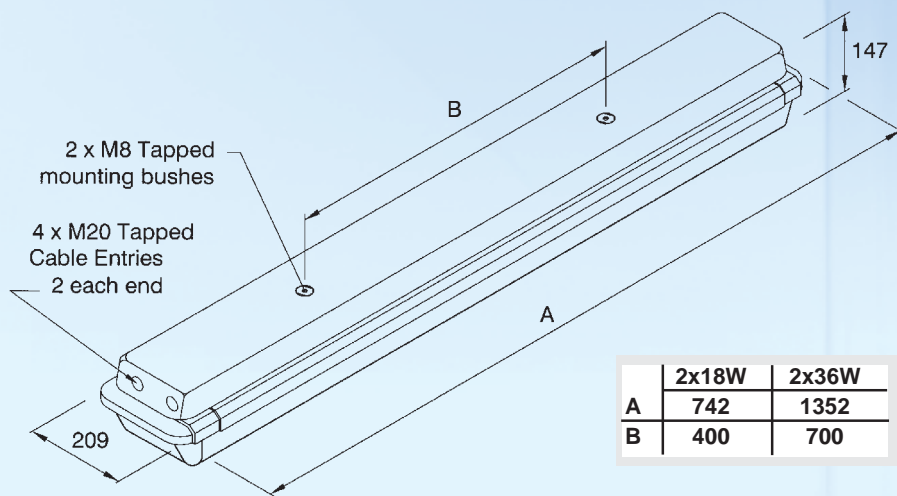
Ingress Protection:	IP66/67 to EN60529
Enclosure:	Stainless steel 316S31 body with clear polycarbonate diffuser
Entries:	4 x M20 cable entries (2 each end)
Termination:	3 core 6mm² max conductors with looping and 16A rating through wiring (4 core for emergency version)
Installation:	Two M8 tapped stainless steel inserts located on rear of body
Reflector/Gear-tray	White polyester painted zinc coated steel
Control Gear:	Switch start copper/iron control gear (Emergency version has high frequency ballast as standard)
Relamping:	Via quick-release diffuser clamp and hinged diffuser
Electrical Supply:	240V 50Hz (Emergency version 220/240V 50/60Hz)
Battery:	Ni-Cd battery 6V 4Ah, duration 3 hours

Std. Cat No.	Wattage	Lamp type	Lampholder	Weight
PRSI/118/BI	1 x 18W	T8 Fluorescent	G13	5.9kg
PRSI/218/BI	2 x 18W	T8 Fluorescent	G13	6.2kg
PRSI/136/BI	1 x 36W	T8 Fluorescent	G13	9.6kg
PRSI/236/BI	2 x 36W	T8 Fluorescent	G13	10.0kg
PRSI/118/BI/EM	1 x 18W	T8 Fluorescent	G13	8.7kg
PRSI/218/BI/EM	2 x 18W	T8 Fluorescent	G13	9.0kg
PRSI/136/BI/EM	1 x 36W	T8 Fluorescent	G13	12.4kg
PRSI/236/BI/EM	2 x 36W	T8 Fluorescent	G13	12.8kg

Options - Suffix to Catalogue No.

/---	Specific voltage (120*, 220, 230 & 254V only available copper/iron gear)
/60	60Hz supply (copper/iron ballasts only)
/HF	High frequency control gear (Non-emergency only, standard on Emergency model)
/120/HF	120V High frequency ballast
/EL	Extra live termination (Compatible with 4 core switched emergency models)
/M25	M25 cable entries
/MF	Mains fuse
/3P	3 phase termination facility
/SB	Stainless steel mounting bush

* 120V copper/iron gear - non emergency only



Accessories (Should be ordered separately)

	Catalogue Order Code
Offset ceiling bracket assembly kit	SPRO4-0002
Pole mounting bracket assembly (38/50mm diameter poles)	SPRO4-0003
C' form hook type ceiling bracket assembly kit	SPRO4-0005
Flush mounted wall bracket assembly kit	SPRO4-0006
18W wall mounting outreach bracket (use with SPRO4-0003)	NPRO4-0008
36W wall mounting outreach bracket (use with SPRO4-0003)	NPRO4-0012
58W wall mounting outreach bracket (use with SPRO4-0003)	NPRO4-0022
Eyebolt kit	SPRO5-0005
Looping kit (allows looping from both ends of luminaire)	SPROT-0021

Product design and specification are subject to change without notice.
Please check website for latest specification



Electrical Products

Rev 02 - Sept 2006