

# PROTECTA

# INDUSTRIAL

## SURFACE MOUNTED FLUORESCENT

The Protecta is a robust GRP fluorescent with high IP rating designed for use in the most arduous environments.

It is constructed from a GRP body and quick-release GRP clamp bar which secures the hinged clear polycarbonate diffuser. All of the control gear is mounted onto the reflector/gear-tray which is fitted to the body. Ease of access to the lamps ensures that installation and maintenance times are kept to a minimum.

ATEX Categories 2 & 3 (Zones 1 & 2) hazardous area versions are available which are commonly used on FPSO's and FSO's.

(Refer to Chalmit hazardous area catalogue).



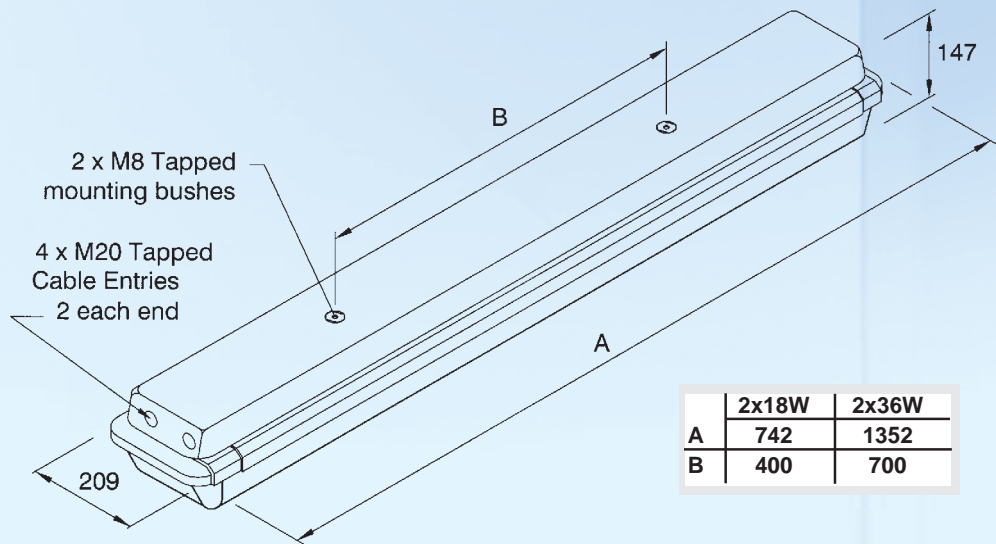
### Standard Specification

Ingress Protection:	<b>IP66/67 to EN60529</b>
Enclosure:	<b>GRP body with clear polycarbonate diffuser and brass suspension points</b>
Entries:	<b>4 x M20 cable entries (2 each end)</b>
Termination:	<b>3 core 6mm<sup>2</sup> max conductors with looping and through wiring</b>
Reflector/Gear-tray	<b>White polyester painted zinc coated steel</b>
Mounting:	<b>Two M8 brass inserts on rear of body</b>
Control Gear:	<b>Switch start copper/iron control gear and PFC capacitor (High frequency electronic control gear optional)</b>
Relamping:	<b>Via quick-release diffuser clamp and hinged diffuser</b>
Electrical Supply:	<b>240V 50Hz (Always state V/Hz when ordering)</b>

Std. Cat No.	Wattage	Lamp type	Lampholder	Weight
PRGI/118/BI	1 x 18W	T8 Fluorescent	G13	6kg
PRGI/218/BI	2 x 18W	T8 Fluorescent	G13	6.1kg
PRGI/136/BI	1 x 36W	T8 Fluorescent	G13	9.6kg
PRGI/236/BI	2 x 36W	T8 Fluorescent	G13	9.8kg

### Options Suffix to Catalogue No.

/---	Specific voltage - Copper/iron ballasts: 120, 220, 230, 254V
/120/HF	High frequency ballast: 120V
/HF	High frequency ballast. 220-240V 50/60Hz as standard
/60	60Hz supply (copper/iron ballasts only)
/ES	Electronic start (copper/iron ballast only)
/EL	Extra live termination (Compatible with 4 core switched emergency models)
/MF	Mains fuse
/3P	3 phase termination facility (not available if looping is required)
/M25	M25 Cable Entry
/SB	Stainless Steel mounting bush
/SE	Spigot Entry



### Accessories (Should be ordered separately)

	Catalogue Order Code
Offset ceiling bracket assembly	SPRO4-0002
Pole mounting bracket assembly (38/50 diameter poles)	SPRO4-0003
C' form hook type ceiling bracket assembly	SPRO4-0005
Flush mounted wall bracket assembly	SPRO4-0006
18W wall mounting outreach bracket (use with SPRO4-0003)	NPRO4-0008
36W wall mounting outreach bracket (use with SPRO4-0003)	SPRO4-0012
Eyebolt brackets (set)	SPRO5-0005
Looping Kit (Allows looping from both ends of luminaire)	SPROT-0021

Product design and specification are subject to change without notice.  
Please check website for latest specification



Electrical Products

Rev 02 - Sept 2006