

PROTECTA E

EMERGENCY FLUORESCENT

INDUSTRIAL

The Protecta E is a robust fluorescent with high IP rating designed for use in the most arduous environments.

It is constructed from a GRP body and quick-release GRP clamp bar which secures the hinged clear polycarbonate diffuser. All of the control gear is mounted onto the reflector/gear-tray which is fitted to the body. Ease of access to the lamps ensures that installation and maintenance times are kept to a minimum.

The Protecta E comes complete with integral 3-hour Ni-Cad battery backup. The incoming mains supply to the luminaire has the facility to have 2 live supplies: continuous live (Lc) which supplied constant power to the battery and switched live (Ls) which is for external switching, allowing the luminaire to be locally switched off without the emergency battery pack unintentionally operating the lamps. If external switching is not required Lc and Ls are made common at the mains terminal block.

ATEX Categories 2 & 3 (Zones 1 & 2) hazardous area versions are available which are commonly used on FPSO's and FSO's. (Refer to Chalmit hazardous area catalogue).



Standard Specification

| | |
|---------------------|--|
| Ingress Protection: | IP66/67 to EN60529 |
| Enclosure: | GRP body with clear polycarbonate diffuser and brass suspension points |
| Entries: | 4 x M20 cable entries (2 each end) |
| Termination: | 4 core 6mm ² max conductors with looping and through wiring |
| Reflector/Gear-tray | White polyester painted zinc coated steel |
| Mounting: | Two M8 brass inserts on rear of body |
| Control Gear: | High frequency ballast & inverter c/w battery pack |
| Relamping: | Via quick-release diffuser clamp and hinged diffuser |
| Electrical Supply: | 220-240V 50/60Hz |

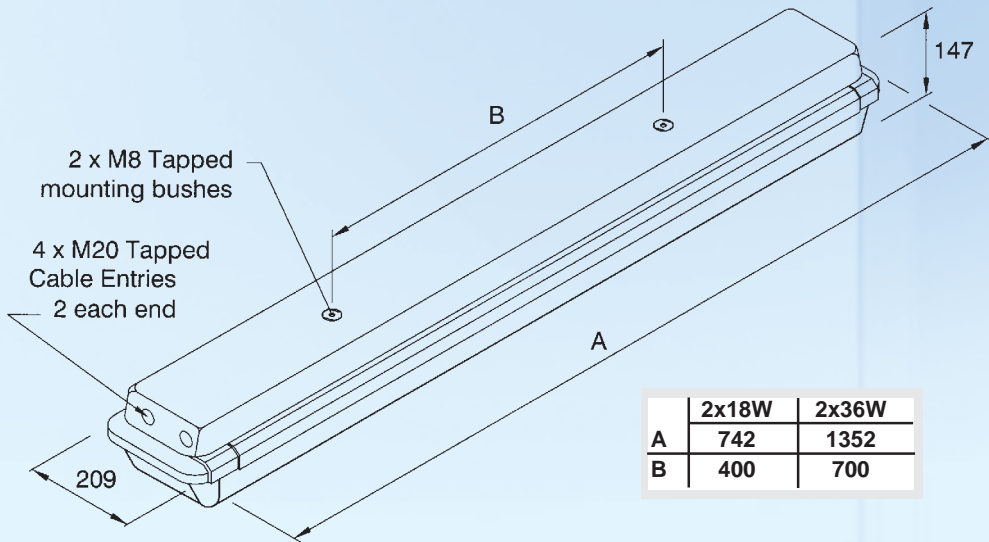


Chalmit Lighting, PO BOX 5575, Glasgow G52 9AP
Tel: +44 (0) 141 882 5555 Fax: +44 (0) 141 883 3704
Email: info@chalmit.com
www.chalmit.com

| Std. Cat No. | Wattage | Lamp type | Lampholder | Weight |
|----------------|---------|----------------|------------|--------|
| PRGI/118/BI/EM | 1 x 18W | T8 Fluorescent | G13 | 8.1kg |
| PRGI/218/BI/EM | 2 x 18W | T8 Fluorescent | G13 | 8.3kg |
| PRGI/136/BI/EM | 1 x 36W | T8 Fluorescent | G13 | 12.2kg |
| PRGI/236/BI/EM | 2 x 36W | T8 Fluorescent | G13 | 12.4kg |

Options - Suffix to Catalogue No.

| | |
|------|--|
| /NM | Non-maintained (single lamp models only) |
| /MF | Mains fuse |
| /3P | 3 phase termination facility (not available if through wiring is required) |
| /M25 | M25 Cable Entry |
| /SB | Stainless Steel mounting bush |



Accessories (Should be ordered separately)

Catalogue Order Code

| | |
|--|------------|
| Offset ceiling bracket assembly | SPRO4-0002 |
| Pole mounting bracket assembly (38/50 diameter poles) | SPRO4-0003 |
| C' form hook type ceiling bracket assembly | SPRO4-0005 |
| Flush mounted wall bracket assembly | SPRO4-0006 |
| 18W wall mounting outreach bracket (use with SPRO4-0003) | NPRO4-0008 |
| 36W wall mounting outreach bracket (use with SPRO4-0003) | NPRO4-0012 |
| Eyebolt brackets (set) | SPRO5-0005 |
| Looping Kit (Allows looping from both ends of luminaire) | SPROT-0021 |

Product design and specification are subject to change without notice.
Please check website for latest specification



Electrical Products

Rev 03 - Nov 07