

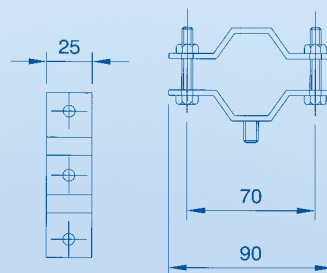
PROTECTA

Pole Mounting Bracket

Cat No. SPRO4-0003

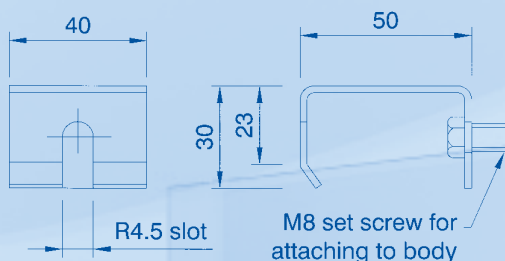


Pole mounting bracket to suit pole diameter 38mm - 50mm
Cat No. SPRO4-0003
Other sizes available on request.



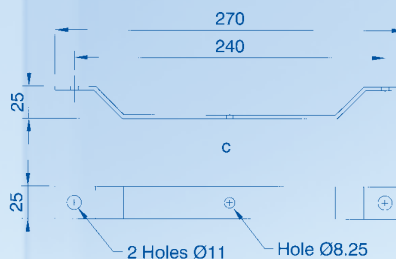
Hook Type Ceiling Bracket

Cat No. SPRO4-0005



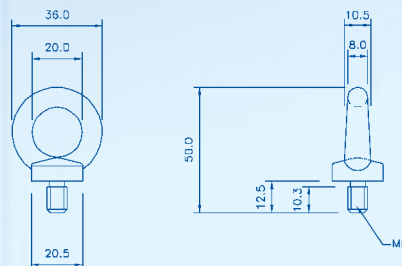
Ceiling Mounting Bracket

Cat No. SPRO4-0002



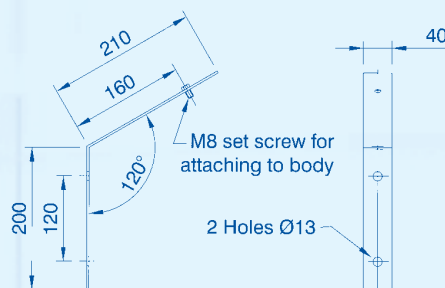
Eyelet Mounting Bracket

Cat No. SPRO5-0005



Flush Mounting Wall Bracket

Cat No. SPRO4-0006



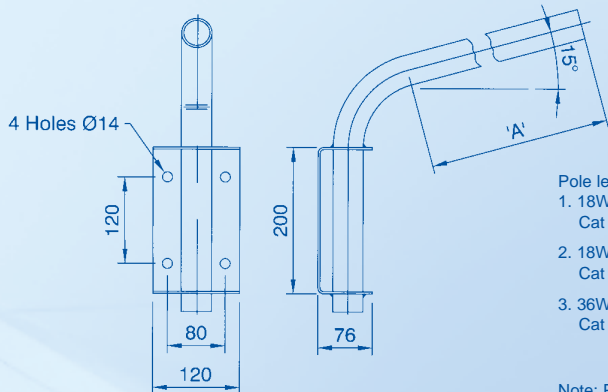
Note: All brackets are made from 316 Stainless Steel

Chalmit Lighting, PO BOX 5575, Glasgow G52 9AP
Tel: +44 (0) 141 882 5555 Fax: +44 (0) 141 883 3704
Email: info@chalmit.com
www.chalmit.com

MOUNTING OPTIONS

Wall Mounting Outreach Bracket

Cat No. NPRO4-0007/0008/0012



Pole length 'A' for use with the following:

1. 18W spigot entry body, size 'A' = 250mm
Cat No. NPRO4-0007
2. 18W body c/w pole clamps (SPRO4-0003), size 'A' = 650mm
Cat No. NPRO4-0008
3. 36W body c/w pole clamps, (SPRO4-0003) size 'A' = 1100mm
Cat No. NPRO4-0012

Note: Pole clamps for items 2 & 3 must be ordered separately, see product accessories.

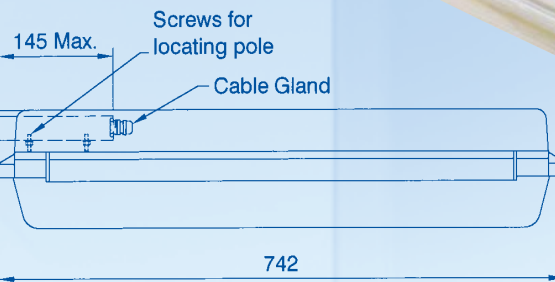
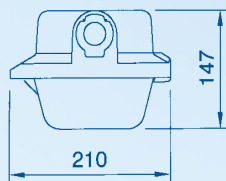
NPRO7-0007
18W & 36W Spigot Entry



18W Spigot Entry

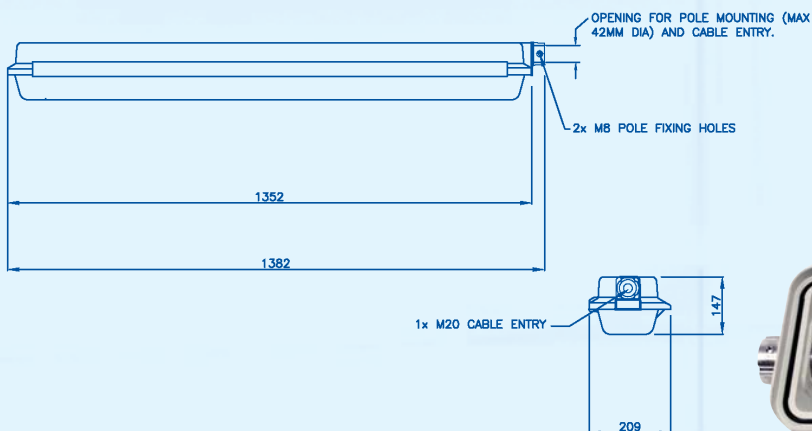
Cat No. PRGE/218/BI/SE

Opening for pole mounting
and for cable entry - 36-44mm



36W Spigot Entry

Cat No. PRGE/236/BI/SE



Product design and specification are subject to change without notice.
Please check website for latest specification



Electrical Products

Chalmit Lighting, 388 Hillington Road, Glasgow G52 4BL
Tel: +44 (0) 141 882 5555 Fax: +44 (0) 141 883 3704
Email: info@chalmit.com
www.chalmit.com

Rev 02 - Sept 2006