

# MAXINEX & MICRONEX

## ASYMMETRIC FLOODLIGHT

## INDUSTRIAL

A range of 2 asymmetric floodlights, one for 70W double ended High Pressure Sodium or Metal Halide lamps and the larger for 150W to 400W tubular High Pressure Sodium or Metal Halide lamps.

The Maxinex and Micronex are extremely efficient asymmetric floodlights and share similar features including IP66/67 rating.

The compact design features of these floodlights ensures reduced weight and low windage. This helps reduce installation costs and it allows lighter mounting systems.



### Standard Specification

Ingress Protection:	<b>IP66/67 to BS EN60529</b>
Enclosure:	<b>Aluminium body, glass lens, stainless steel fasteners</b>
Reflector:	<b>Wide beam high purity anodised aluminium</b>
Cable Entry:	<b>Maxinex (150W - 400W) - 2 x M20 cable entries (looping) Micronex (70W) - 1 x M20 cable entries</b>
Termination:	<b>3 core 6mm<sup>2</sup> conductors</b>
Installation:	<b>Via stirrup bracket, fitted as standard</b>
Relamping:	<b>Via hinged front cover</b>
Control Gear:	<b>Internal</b>
P F Correction:	<b>0.85 minimum</b>
Electrical Supply:	<b>220-254V 50Hz</b>

### Features

Highly efficient asymmetric wide beam reflector design.

All stainless steel fastenings

Light weight and low windage

High corrosion resistance

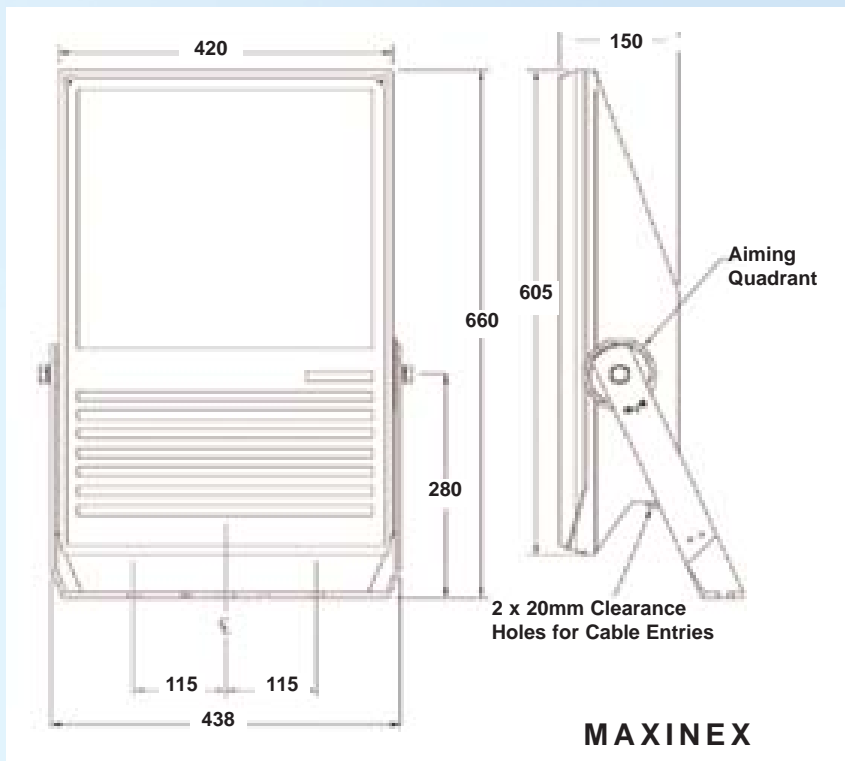
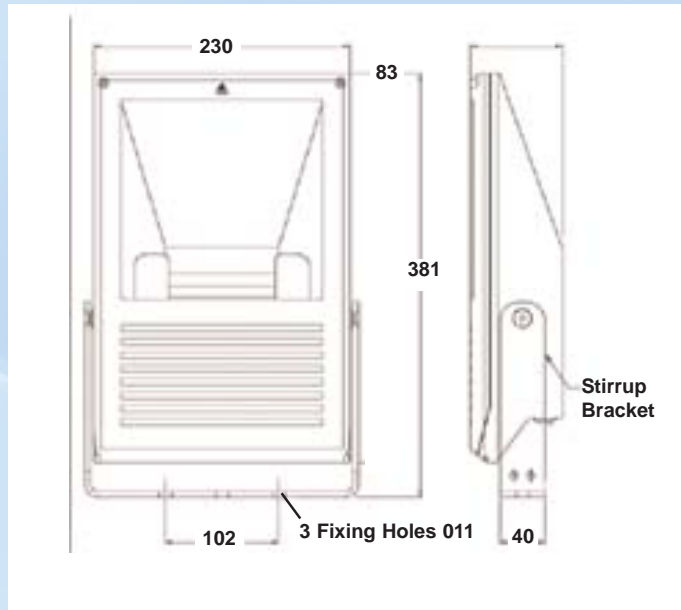
Choice of MBI or HPS lamps

High IP rating

Std. Cat No.	Wattage	Lamp type	Lampholder	Weight
MICI/070/MS	70W	HPS/Metal Halide	R7s	5.1kg
MAXI/150/MS	150W	HPS/Metal Halide	E40	14.5kg
MAXI/250/MS	250W	HPS/Metal Halide	E40	15.5kg
MAXI/400/MS	400W	HPS/Metal Halide	E40	17.0kg

**Options - Suffix to Catalogue No.**

/60	60Hz supply
/TI	Timed Ignitor (Maxinex only)



**Accessories (Should be ordered separately)**

**Catalogue Order Code**

Pole mounting - Micronex

**SMIC-0001**

Pole mounting - Maxinex

**SMA4-0001**

Product design and specification are subject to change without notice.  
Please check website for latest specification



Electrical Products

Rev 02 - Dec 07