

ECLIPSE JUNIOR

WELLGLASS

INDUSTRIAL

The Eclipse Junior is a lightweight wellglass range suitable for discharge lamps up to 100W and GLS lamps up to 150W which offer a compact lighting solution where all round lighting is needed in positions having limited space and access. They have a lightweight corrosion resistant die cast aluminium alloy hinged body and lid with a lamp glass which is unscrewed for quick access when relamping. Direct ceiling-mounted is standard but stanchion-mounted and wall-mounted versions are available.

ATEX Category 3 (Zone 2) hazardous area versions are available.

(Refer to Chalmit hazardous area catalogue)



Standard Specification

Ingress Protection:	IP66 to EN60529
Enclosure:	Die cast aluminium alloy body with glass lens Silicone rubber gasket. Stainless steel fasteners.
Entries:	2 x M20 cable entries
Termination:	3 core 6mm² max conductors with looping
Mounting:	Ceiling mounted as standard
Control Gear:	Internal copper/iron ballast with ignitor and PFC capacitor (HID lamp models)
Relamping:	Via screwed lamp glass
Electrical Supply:	220/230/240/254V 50Hz (70W & 80W models) 220/230/240V 50Hz (50W & 125W models) 250V Max ac/dc (GLS lamp models)

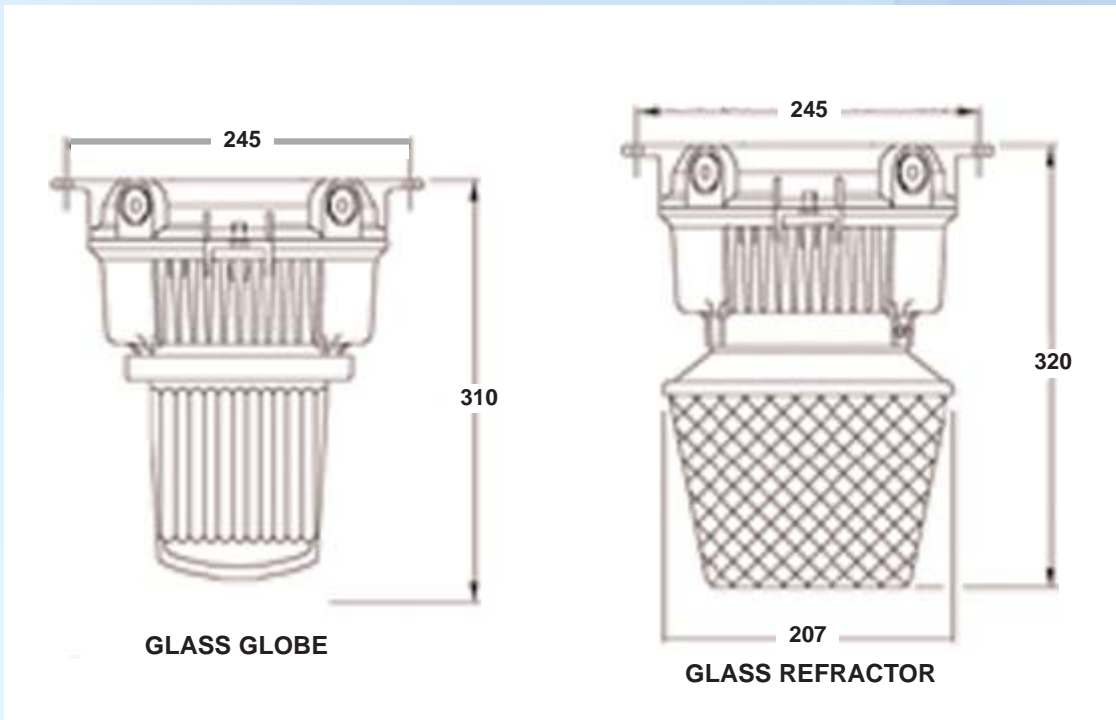


Chalmit Lighting, PO BOX 5575, Glasgow G52 9AP
Tel: +44 (0) 141 882 5555 Fax: +44 (0) 141 883 3704
Email: info@chalmit.com
www.chalmit.com

Std. Cat No.	Wattage	Lamp type	Lampholder	Weight
ECJI/050/HS	50W	HPS	E27	5.5kg
ECJI/070/MS	70W	HPS/Metal Halide	E27	6kg
ECJI/080/MV	80W	MBFU	E27	6kg
ECJI/125/MV	125W	MBFU	E27	6.5kg
ECJI/150/GLS	150W	GLS	E27	5kg

Options - Suffix to Catalogue No.

/60	60Hz supply
/WM	Wall-mounted version
/ST	Stanchion-mounted version
/PE	Pendant mounted version
/R	Prismatic refractor glass



Accessories (Should be ordered separately)

Catalogue Order Code

Cast Guard	CECJ7-0007
Dome Reflector	SECL0-0001
30° Angled Reflector	SECL0-0002
Guard for Glass Refractor	HECJ4-0001

Product design and specification are subject to change without notice.
Please check website for latest specification



Electrical Products

Rev 02 - Sept 2006