

604

LIGHTWEIGHT FLOODLIGHT

INDUSTRIAL

A weatherproof floodlight manufactured in lightweight die cast aluminium to the highest standards and offering excellent photometric output.

The luminaire contains integral control gear complete with power factor correction capacitors and is suitable for various lamps including 400W, 600W & 1000W high pressure sodium (HPS) and 400W metal halide (MBI).

The 604 is a robust and versatile luminaire offering ingress protection to IP65 and finished in grey enamel offering further protection.



Specification

Ingress Protection:	IP65 BS EN 60529
Enclosure:	Marine grade LM6 aluminium alloy finished in grey enamel body with toughened thermal shock resistant safety glass.
Reflector:	Wide beam high purity anodised aluminium
Mounting:	Stirrup
Termination:	3 core 4mm²
Cable Entries:	1 x M20 cable entry
Control Gear:	Internal for lower wattages, integral for others or
Relamping:	Via hinged front cover secured by 2 quick release stainless steel clips
Ingress Protection:	IP65 BS EN 60529
Electrical Supply:	220/230/240/254V 50Hz - 400 and 600W version 220/230/240V 50Hz - 1000W version only

Features

Post or spigot mounted versions available

Low temperature range for some lamp sizes

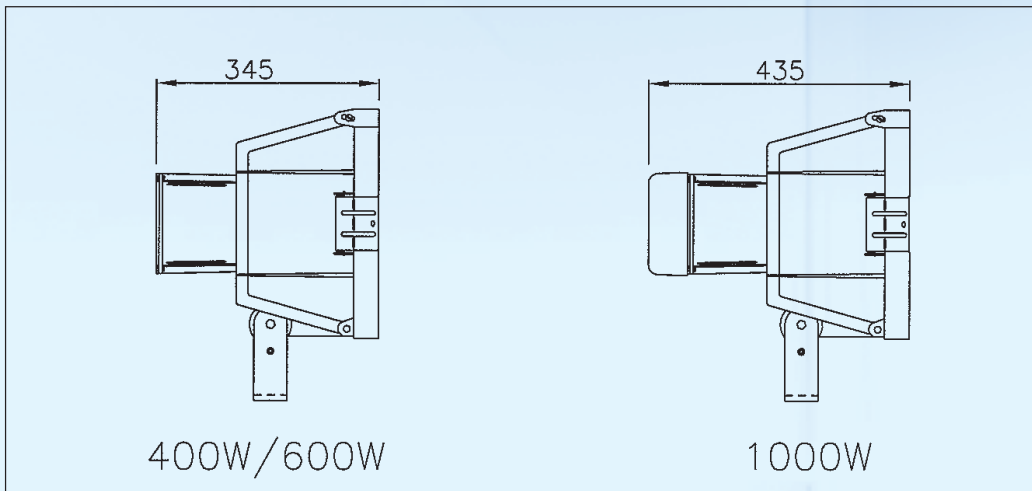
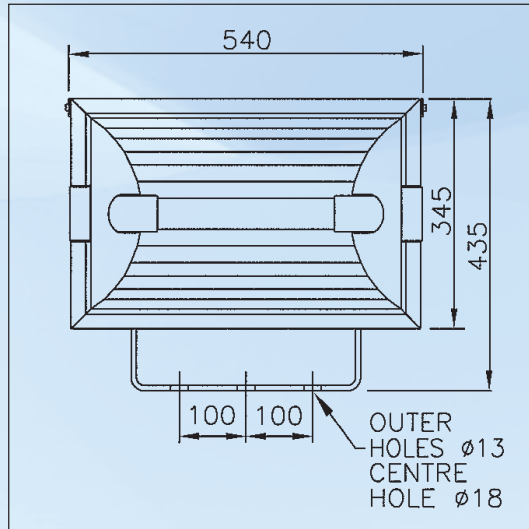
Easy maintenance with quick release stainless steel clips

Std. Cat No.	Lamp Type	Lampholder	Ambient °C	Weight
604I/250/HS	250W	E40	50	21.5kg
604I/400/HS	400W	E40	50	23.0kg
604I/600/HS	600W	E40	50	24.2kg
604I/1000/MS	1000W	E40	40	27.1kg

Options Suffix to catalogue no

/60 60Hz Supply

/TI Timed Ignitor



Accessories (Should be ordered separately)

Pole Mounting Bracket Assembly 48-64Ø

Catalogue Order Code

S6040-0008

Product design and specification are subject to change without notice.
Please check website for latest specification

