

STERLING II

Ex n FLUORESCENT

The Sterling II is a quality and cost effective luminaire designed to provide instant glare free white light at low mounting heights.

The GRP body and polycarbonate diffuser is secured with multiple stainless steel clips to ensure good corrosion resistance and allow rapid access for installation and maintenance. The protection is Ex n with IP65 sealing for ignitable gas and dust applications.

The Sterling II is certified under the ATEX 94-9-EC directive for Categories 3 G and 3 D. The range is suitable for T8 tubular fluorescent lamps in 18/36/58W sizes. Electronic high frequency control gear is fitted as standard.



● EOL PROTECTED

Standard Specification

Features

Type of Protection	Ex nA (Non-sparking) Dust protected enclosure	Robust polycarbonate diffuser with stainless steel clips as standard
ATEX Classification	Group II Category 3 G D	Diffuser clips 3 per side on 18W, 4 on 36W & 5 on 58W
Area Classification	Zone 2 and Zone 22 areas to EN 60079-10 and EN 61241-10 with installation to EN 60079-14 and EN 61241-14	
Apparatus Standard	EN 60079-15 EN 61241-1	Through wiring as standard
Certificate	EC Type Examination Certificate Sira 06ATEX4348X	High frequency control gear gives 50/60Hz operation, high power factor correction and regulation of lamp output.
Coding	⊕ II 3 G D Ex nA II T4 (refer to table for T rating and Ambient)	
Enclosure	GRP with polycarbonate diffuser and stainless steel retaining clips	Lamp options 18W, 36W and 58W single and twin
Reflector	White polyester painted zinc coated steel	Simple to install and maintain
Entry Termination	2 x 20mm diameter holes 4 core 4mm ² max. conductor with through wiring 16A rating	
Installation	Two clearance holes for M8 fasteners located on rear of body, sealing washers provided	Lightweight and slim line construction
Lampholder	G13 (Bi-pin)	End of life (EOL) protection
Lamp Type	T8 tubular fluorescent	
Control Gear	High Frequency ballast	ATEX Compliant
Relamping	Access via diffuser secured by quick release stainless steel clips	IEC Ex Approved IECEx SIR 06.0108X
Burning Position	Universal	
Ingress Protection	IP65 to EN60529	
Electrical Supply	220-254V 50/60Hz (AC/DC) (120V available AC only)	

ATEX CATEGORY 3 ZONE 2 & 22 APPLICATIONS

STD. CAT NO.	WATTAGE	VOLTAGE	T CLASS(GAS)	T°C (DUST)	AMBIENT °C	WEIGHT
ST2N/218/BI	2x18W	220V-240V	T4	85	-20 to +45	2.6.kg
ST2N/136/BI	1x36W	220V-240V	T4	85	-20 to +45	3.3kg
ST2N/236/BI	2x36W	220V-240V	T4	85	-20 to +45	3.6kg
ST2N/158/BI	1x58W	220V-240V	T4	85	-20 to +45	3.7kg
ST2N/258/BI	2x58W	220V-240V	T4	85	-20 to +45	4.1kg

Note: 254V upper ambient limit of 35°C

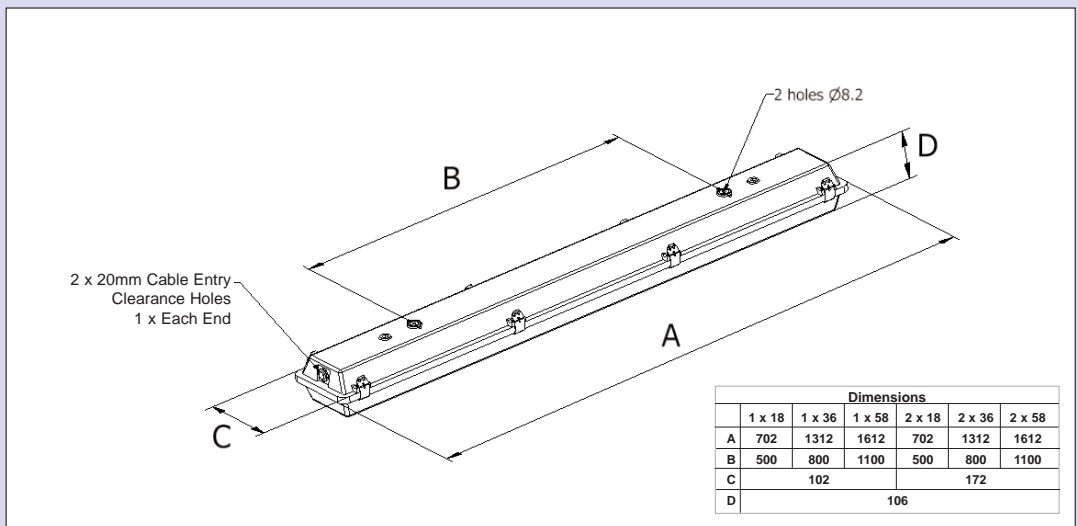
Options - Suffix to Catalogue No.

/120 120V (NOTE :Upper ambient, limit of +30°C)

/MF Mains fuse

Applications

Zone 2 hazardous areas
 Zone 22 hazardous dust environments
 Oil, gas and petrochemical industries
 Distilleries
 Water pumping stations
 Sewage treatment works
 Food & agricultural industries



Accessories (Should be ordered separately)

Catalogue Order Code

Offset ceiling bracket assembly	S3004-100001
Pole mounting bracket assembly (38/50 diameter poles)	S3004-100002
C' form hook type ceiling bracket assembly	S3004-100003
Flush mounted wall bracket assembly	S3004-100004
18W wall mounting outreach bracket (use with S3004-100002)	NPRO4-0008
36W wall mounting outreach bracket (use with S3004-100002)	NPRO4-0012
58W wall mounting outreach bracket (use with S3004-100002)	NPRO4-0022

Product design and specifications are subject to change without notice, please check the Chalmite website for latest specifications.



Electrical Products

Rev 3 - November 2007