

The Nexxus bulkhead luminaire is suitable for a wide range of discharge lamps, incandescent lamps and also compact fluorescent lamps.

The explosion protection is Ex nR utilising a restricted breathing enclosure. Bulkheads offer a compact and versatile solution in many applications especially those where conditions are exposed and have high levels of dirt dust and moisture.

The enclosure is corrosion resistant aluminium with a heat resistant glass cover, silicone rubber sealing gasket and stainless steel fixings.

The Nexxus is simple to install, easy to maintain and very durable. The wide range of light sources and wiring options also makes the Nexxus a very versatile luminaire.

Suitable for a wide range of ambient temperatures, -45°C to +55°C, dependant on lamp type and wattage.

The Nexxus features improved light output with the use of a new reflector. This gives a 20% increase in photometric performance.



Nexxus with shroud kit

### Standard Specification

### Features

Type of Protection	Ex nR (Restricted Breathing)
ATEX Classification	Group II Category 3 G
Area Classification	Zone 2 areas to EN 60079-10 with installation to EN 60079-14
Apparatus Standard	EN 50021
Certificate Coding	Type Examination Certificate BAS99ATEX3012 Ⓔ II 3 G EEx nR II (refer to table for T rating and Ambient)
Enclosure	Painted LM6 aluminium alloy body with prismatic glass lens, silicone rubber gasket and stainless steel fasteners
Reflector	High purity anodised aluminium
Entry Termination	3 x M20 cable entries 3 core 6mm <sup>2</sup> max. conductor with looping or through wiring 16A max current rating
Installation	4 x 7mm clearance holes in body fixing channel
Lamp Type	HPS, Metal Halide, Mercury Vapour, Mercury Blended, Compact fluorescent and GLS
Lampholder	E27 or G24q
Control Gear	Internal copper/iron ballast with ignitor and PFC correction capacitors as specified
Relamping	Access via front cover secured by four stainless steel screws
Burning Position	Universal
Ingress Protection	IP66/67 to EN 60529
Electrical Supply	220, 230, 240, 254V 50Hz - 70W 220, 230, 240V 50Hz - 80W 220-240V 50Hz - 50W, 240V 50Hz - CF 250V max - 160 & 200W

Improved light output
Easy control gear replacement
Fixing points outside restricted breathing enclosure
High corrosion resistance
Suitable for ceiling or wall mounting
Through wire or looping as standard
Prismatic lens
Suitable for low temperature applications
GOST Approved

# ATEX CATEGORY 3 ZONE 2 & 22 APPLICATIONS

Std. Cat No.	Wattage	Lamp	Lampholder	T Class	Ambient °C	Weight
NEXN/050/HS	50W	HPS	E27	T4	35	6.5kg
NEXN/070/MS	70W	HPS/Metal Halide	E27	T4	35	7.0kg
NEXN/080/MV	80W	Mercury Vapour	E27	150°C T3	25	6.5kg
NEXN/160/MB	160W	MBTF	E27	T3	30	5.0kg
NEXN/113/CF	1x13W	CFL	G24q	T5	50	5.5kg
NEXN/118/CF	1x18W	CFL	G24q	T5	50	5.5kg
NEXN/126/CF	1x26W	CFL	G24q	T5	50	5.5kg
NEXN/213/CF	2x13W	CFL	G24q	T5	30	6.0kg
NEXN/218/CF	2x18W	CFL	G24q	T5	30	6.0kg
NEXN/226/CF	2x26W	CFL	G24q	T5	30	6.0kg
NEXN/200/GL	200W max	GLS	E27	150°C T3	30**	5.0kg
NEXN/050/HS/NC*	50W	HPS	E27	150°C T3	50	6.5kg
NEXN/070/MS/NC*	70W	HPS/Metal Halide	E27	150°C T3	50	7.0kg
NEXN/080/MV/NC*	80W	Mercury Vapour	E27	150°C T3	35	6.5kg
NEXN/100/HS/NC*	100W	HPS	E27	T3	40	7.5kg

\*No power factor correction capacitors fitted.

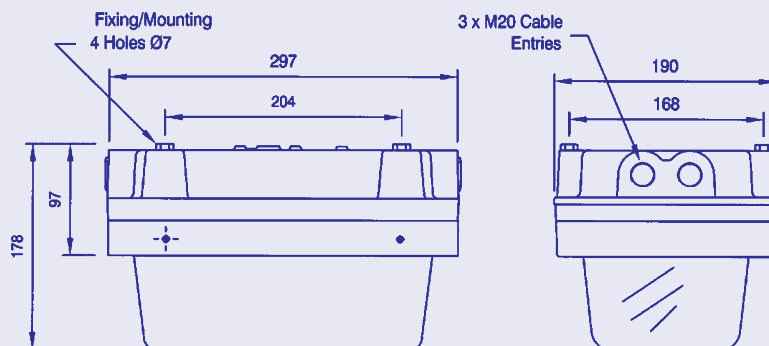
\*\*Other 'T' ratings and ambients available for lower wattages. Contact sales for details.

## Options - Suffix to Catalogue No.

/___	Specific voltage (254)
/60	60Hz
/TI	Timed cut out ignitor
/MF	Mains fuse
/S	Shroud kit

## Applications

Zone 2 hazardous areas  
 Harsh and low temperature environments  
 Localised lighting  
 Stairwells • Gantry and walkway lighting  
 Process skid manufacturing  
 Tunnel lighting • Cable tray areas  
 Gas pumping stations  
 Paint and solvent storage rooms  
 Distilleries



**Accessories** (Should be ordered separately)

**Catalogue Order Code**

Wire Guard

**SNEX1-0001**

Product design and specifications are subject to change without notice, please check the Chalmit website for latest specifications.



Electrical Products

Rev 02 - Feb 07

