

The NexLED bulkhead luminaire utilises high output 1 Watt light emitting diodes (LED's) that provide a white, instant light that is highly visible.

The flameproof, increased safety design provides hazardous area protection suitable for use in Zone 1 areas. Available as a standard bulkhead or recessible option, the NexLED offers a compact and versatile solution for many applications. The enclosure is manufactured from corrosion resistant marine grade aluminium with a toughened glass cover, as such it is ideally suited for use in environments where the luminaire is exposed to high levels of dust and moisture. Stainless steel fixings and a silicon rubber gasket further ensure the NexLED's rugged design.

The product can be fitted with either 2 or 8 lamps and offers a very low power consumption product well suited to UPS systems. The luminaire is simple to install, easy to maintain and very durable.

The LED's are more efficient than incandescent and most tungsten halogen lights and operate for over 50000 hours eliminating relamping in many applications. This new lamp technology emits no heat or ultra violet light and is mercury free.

Suitable for a wide range of ambient temperatures from -45°C to +55°C with light output not affected by low temperatures.

Available painted white for interior applications.



Standard Specification

Features

Type of Protection	Ex de (Flameproof Increased Safety)
ATEX Classification	Group II Category 2 G D
Area Classification	Zone 1 and Zone 21 area to EN 60079-10 and EN 50281-3 with installation to EN 60079-14 and EN 50281-1-2
Apparatus Standard	EN 60079-0, EN 60079-1, EN 60079-7 and EN 50281-1-1
Certificate	EC Type Examination Certificate Baseefa04ATEX0245
Coding	⊕ II 2 G D Ex de IIC (refer to table for T rating and Ambient)
Enclosure	Cast aluminium with toughened glass and silicone gasket
Reflector	White painted zinc coated steel
Entry	3 x M20 cable entries
Termination	3 core 6mm ² max conductor with looping
Installation	Surface mounted, 4 mounting holes located outside of seal
Lamp Type	2 x 1W light emitting diodes. Colour: white 8 x 1W light emitting diodes. Colour: white
Relamping	N/A
Control Gear	Electronic
Burning Position	Universal
Ingress Protection	IP66/67 to EN 60529
Electrical Supply	110-130V AC 220-240V AC

Highly visible, instant light

Easy to install and maintain

Ultra long life,
no relamping required

Very low power consumption

GOST Approval (pending)

ATEX CATEGORY 2 ZONE 1 & 21 APPLICATIONS

Std. Cat No.	Wattage	Lamp	TClass	T°C (Dust)	Ambient °C	Weight
NELE/201/LE	2W	Light Emitting Diode	T4	100	-45 to 55	4.0kg
NELE/801/LE	8W	Light Emitting Diode	T4	100	-45 to 55	4.1kg

Options - Suffix to Catalogue No.

/R Recessed version



(European Signs Directive Format, as shown)

NexLED 2 x 1 Watt with Legend Kit

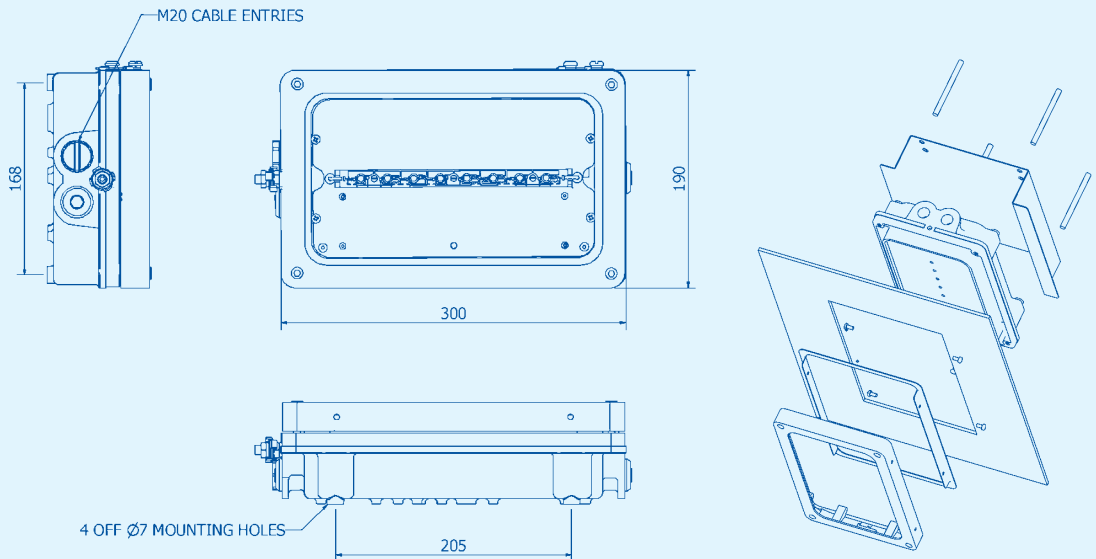
Side Emitter LED's provide diffuse light for signs

Cat No: NELE/201/LE/LEG

For use with self adhesive legend kit assembly

Applications

Harsh and low temperature environments • Localised lighting, low level lighting
 Stairwells, gantry and walkways • Process skids, cable tray areas • Marine void spaces with low overheads
 Paint and solvent storage rooms • Gas Pumping stations



Recessed version

Accessories (Should be ordered separately)

Green exit sign kit (4 labels - up,down,left and right)

Catalogue Order Code

SNEL1-0001

Product design and specifications are subject to change without notice, please check the Chalmit website for latest specifications.