

285

Ex d FLOODLIGHT

**ATEX CATEGORY 2
ZONE 1 and 21 APPLICATIONS**

The totally redesigned 285 floodlight range is ideal for use in lighting open areas within Zone 1 & 2 hazardous applications. It accommodates high pressure discharge lamps up to 400W and also single ended tungsten lamps up to 500W. A choice of either wide or narrow beam reflectors combined with the different lamps and wattages increases the users choices dependant on the lighting task required.

The luminaire is manufactured from corrosion resistant aluminium alloy - LM6 and is available with either a painted or PTFE finish. It has an Ex e terminal chamber as standard, allowing the use of less expensive cable glands. Re-lamping is kept simple accessing via the hinged front cover which is fitted with captive cover screws.

Available for a wide range of ambient temperature locations from -20°C up to +70°C (dependant on wattage) the 285 is truly a product for the world market.



Standard Specification

Type of Protection:	Ex de (Flameproof Increased Safety) Dust protected enclosure
ATEX Classification:	Group II Category 2 G D
Area Classification:	Zone 1 and Zone 21 areas to EN 60079-10 and EN 50281-3 with installation to EN 60079-14 and EN 50281-1-2 Gas Groups IIA and IIB
Apparatus Standard:	EN 50014 EN 50018 EN 50019 EN 50281-1-1
Certificate:	EC Type Examination Certificate Baseefa05ATEX0107
Coding:	II 2 G D EEx de IIB (refer to table for T rating and Ambient)
Enclosure:	Aluminium alloy LM6 to BS 1490 All fastenings stainless steel. Toughened glass window
Reflector:	Wide beam, high purity anodised aluminium
Entry:	2 x M20 cable entries
Termination:	3 core 6mm² max. conductor with looping
Installation:	Stirrup mounting bracket with aiming quadrant
Control Gear:	Internal copper/iron with PFC correction capacitor and ignitor
Relamping:	Access via hinged front cover c/w captive screws
Lampholder:	E40
Lamp Type:	HPS, Metal Halide or Tungsten-Halogen
Burning Position:	Universal for HID, +/-45° on horizontal plane for Tungsten-Halogen lamps
Ingress Protection:	IP66/67 to EN 60529
Electrical Supply:	220, 230, 240, 254V 50Hz HPS & Metal Halide 100V - 277V single ended Tungsten-Halogen

Features

**Installation in gas groups
IIA and IIB**

**Good photometric
efficiency**

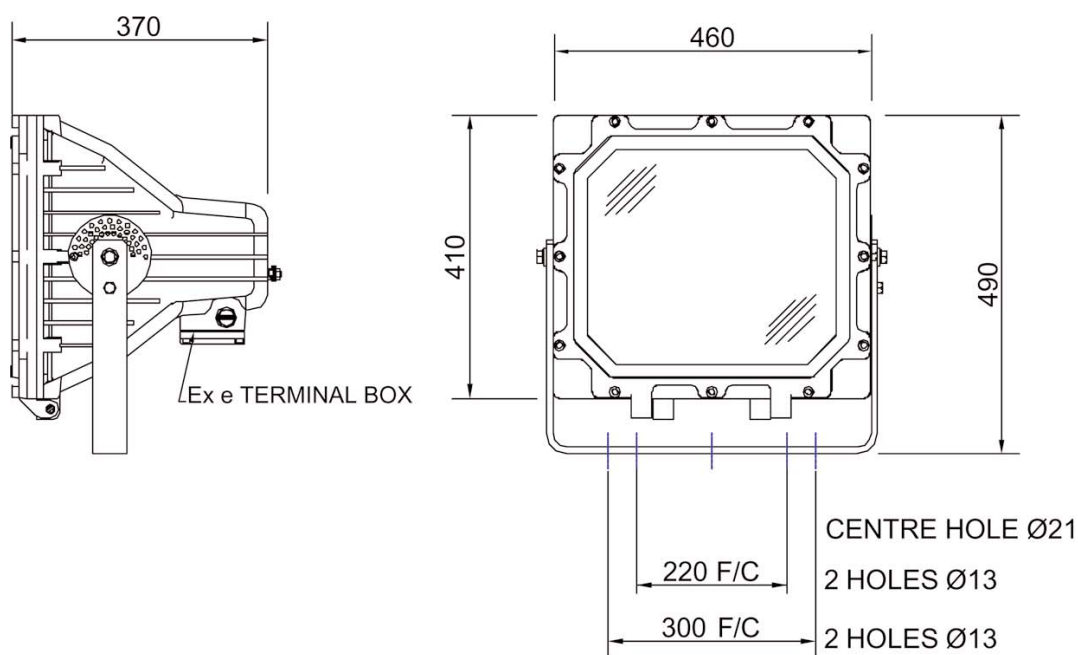
**Effective light distribution
for many applications**

Chalmit lighting

Std. Cat No.	Wattage	Lamp	T Class (Gas)	T Class (Gas)	Ambient °C	Weight
285D/150/MS	150W	HPS and Metal Halide	T4	128	70	28kg
285D/250/MS	250W	HPS and Metal Halide	T4 T3	128 145	55 70	28.5kg
285D/400/MS	400W	HPS and Metal Halide	T3	175 (HPS) 160 (MH)	55	28.5kg
285D/500/TH	500W	Single Ended T/Halogen	T3	175	55	25kg

Options - Suffix to Catalogue No.

/60	60Hz
/M25	M25 Entries
/N	Narrow beam reflector
/P	PTFE coating
/PA	Painted Finish
/TI	Timed Ignitor



Accessories (Should be ordered separately)

Catalogue Order Code

Pole mounting brackets	S2854-0001
Anti-glare shield	S2854-0002
Wire guard	S2854-0003



United Kingdom	Tel: +44 (0) 141 882 5555	Fax: +44 (0) 141 883 3704	Email: info@chalmit.com
Benelux	Tel: +31 (0) 302 467 132	Fax: +31 (0) 302 467 133	Email: john.van.straalen@planet.nl
Abu Dhabi	Tel: +971 2621 3496	Fax: +971 2631 2152	Email: rwood@emirates.net.ae
Dubai	Tel: +971 4334 2823	Fax: +971 4334 7974	Email: albertmf@emirates.net.ae
Singapore	Tel: +65 6282 2242	Fax: +65 6284 4244	Email: chalmits@singnet.com.sg

For the latest product information - www.chalmit.com