

EV ... 150-250 ZM

EVI 500 UD

AB 50 IU

AB 80

Accessories for Ex-Ceiling light fitting AB 80

Type	Order No.
Guard GAB 80	NOR 000 005 120 439

Accessories for Ex-Pendant light fitting AB 50

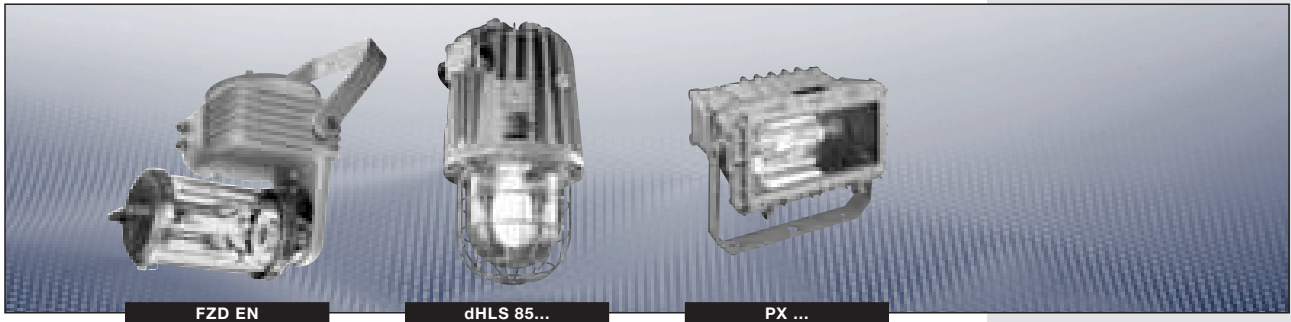
Type	Order No.
Ceiling bracket with screws 3/4" AS.EV/AB	NOR 000 005 110 828

Accessories for Ex-Pendant light fitting EVI/EVQ 55 UD/EVQ 85

Type	for	Order No.	
Guard	G. EV 200/AB 51	EVI 200	NOR 000 005 110 860
	G. EV 500	EVI 500	NOR 000 005 110 878
External reflector	PC. EV 200/AB 51	EVI 200 / EVQ 55	NOR 000 005 110 894
	PC. EV 500	EVI 500 / EVQ 85	NOR 000 005 110 901
Lamp key	KEY, EV	EV ...	NOR 000 005 110 886
Eye bolt	CEV/AB	EV ...	NOR 000 005 110 852
Ceiling bracket adjustable	AS. EV/AB	EV ...	NOR 000 005 110 828
Wall mounting	SPU. EV/AB	EV ...	NOR 000 005 110 951
Pole mounting	BC. EV/AB	EV ...	NOR 000 005 110 836
Wall mounting	SP. EV 200	EVI 200	NOR 000 005 110 935
	SP. EV 500	EVI 500	NOR 000 005 110 943

Accessories for Ex-Pendant light fitting EVM/EVS/EVM/EVQ 165 ZM

Type	for	Order No.	
Guard	G. EV 200/AB 51	EVM 125 ZM / EVS 70 ZM	NOR 000 005 110 860
	G. EV 500	EVM 250 ZM / EVS 150 ZM	
		EVS 250 ZM / EVH 250 ZM	
External reflector	PC. EV 200/AB 51	EVM 125 ZM / EVS 70 ZM	NOR 000 005 110 894
	PC. EV 500	EVM 250 ZM / EVS 150 ZM	
		EVS 250 ZM / EVH 250 ZM	
Lamp key	KEY, EV	EV	NOR 000 005 110 886
Eye bolt	CEV/AB	EV	NOR 000 005 110 852
Ceiling bracket adjustable	AS. EV/AB	EV	NOR 000 005 110 828
Wall mounting	SPU. EV/AB	EV	NOR 000 005 110 951
Pole mounting	BC. EV/AB	EV	NOR 000 005 110 836
Wall mounting	SP. EV 200	EVM 125 ZM / EVS 70 ZM	NOR 000 005 110 935
	SP. EV 500	EVM 250 ZM / EVS 150 ZM	
		EVS 250 ZM / EVH 250 ZM	



FZD EN

dHLS 85...

PX ...

4.36

Accessories for Ex-floodlights FZD EN

Type	Order No.
Lamp module 250 W / 400 W complete, without lamp with internal reflector, narrow-angle reflector	1 3041 000 011
with internal reflector, wide-angle reflector	1 3041 000 012

Accessories for Ex-pendant light fitting dHLS 85... and Ex-floodlight dTLS 85...

Type	Order No.
Eye bolt (10 pcs.)	GHG 690 1921 R0003
Mounting bracket L 218 ¹⁾	GHG 690 1913 R0001
Mounting bracket L 430 ¹⁾	GHG 690 1913 R0002
External reflector (AR) (nur dHLS 85...)	CGS 223 7990 P1000

¹⁾ see dimensions drawing

Accessories for Ex-floodlight PX...

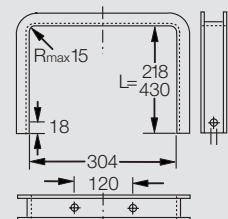
Type	Order No.
Pipe fixing (Ø 48 mm to Ø 64 mm) SB	NOR 000 005 170 583



Lamp module for FZD EN



SB



Mounting bracket for dHLS 85/dTLS 85

1

2

3

4

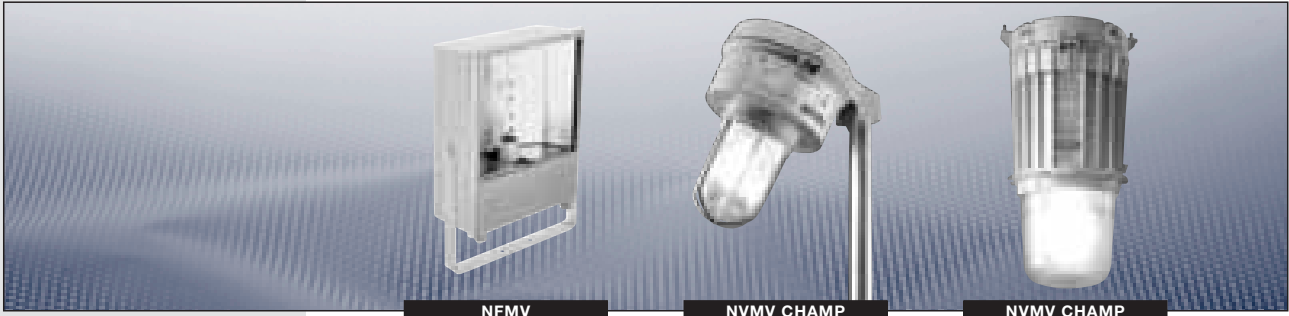
5

6

7

8

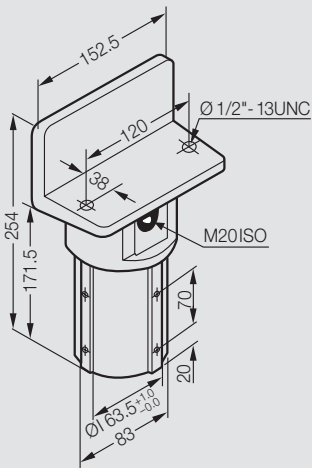
9



NFMV

NVMV CHAMP

NVMV CHAMP



Slip-fit adapter for NFMV

Accessories for Ex-pendant light fitting NVMV Champ up to 150 W

Type	Order No.
External reflector RD 70	3 2341 001 001

Accessories for Ex-pendant light fitting NVMV Champ up to 400 W

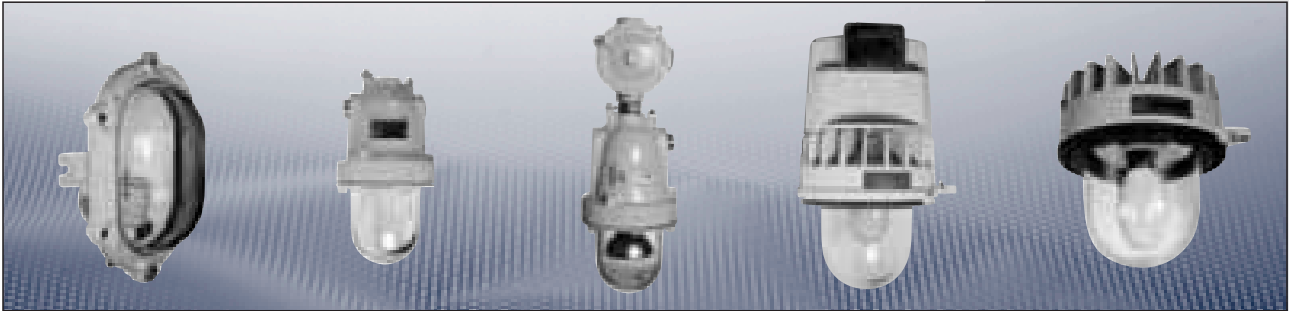
Type	Order No.
External reflector RD 4A	3 2342 001 001

Accessories for Ex-floodlight NFMV

Type	Weight (kg)	Order No.
Slip-fit adapter 2"	1,8	3 2346 001 002

Luminare poles for pole-fitting of pendant light fittings and floodlights see chapter 2: up from page 2.42.

(Special designs and dimensions on request)



4.38

1

2

3

4

5

6

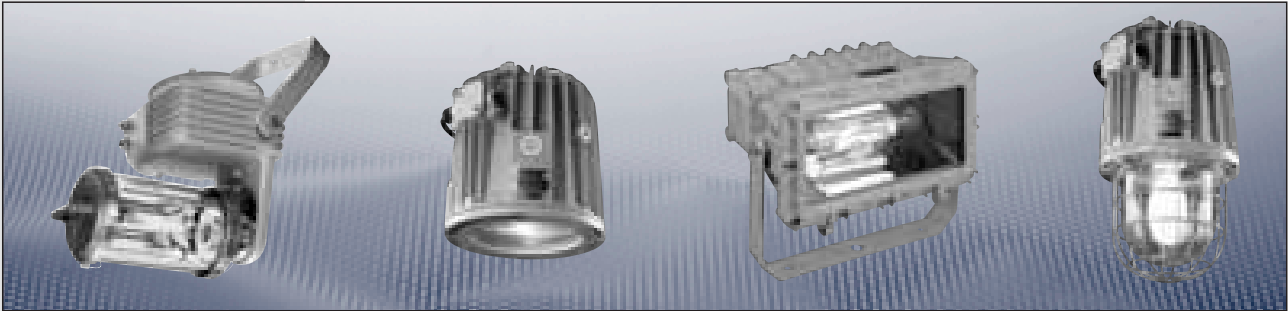
7

8

9

Accessories for Ex-pendant and floodlight light fittings					
For fitting	Lamp type	Cup	Power	Luminous flux ¹⁰⁾ approx. lm	Order No.
AB 80	A ¹⁾	E 27	60 W/100 W	710/1360	on request
AB 50/SPG 1N	A ¹⁾	E 27	60 W/100 W	710/1360	on request
AB 80	TC-DSE ²⁾	E 27	11 W	660	on request
EVI	A ¹⁾	E 27	150 W/200 W	2200/3100	on request
		E 40	300 W/500 W	5000/8400	on request
	HME-SB ³⁾	E 27	160 W	3100	on request
		E 40	250 W	5600	on request
	HME ⁴⁾	E 27	80 W	3800	on request
		E 27	125 W	6300	on request
HSE ⁵⁾	E 40	250 W	13000	on request	
		150 W	14000	on request	
	E 27	70 W	5600	on request	
		250 W	25000	on request	
HIE ⁶⁾	E 40	250 W	17000	on request	
	E 40	250 W	17000	on request	
EVM	HME ⁴⁾	E 27	125 W	6300	on request
		E 40	250 W	13000	on request
EVS	HSE ⁵⁾	E 27	70 W	5600	on request
		E 40	150 W	14000	on request
		E 40	250 W	25000	on request
EVI	HIE ⁶⁾	E 40	250 W	17000	on request
EVQ 55	Master QL ⁷⁾⁸⁾	–	55 W	3500	on request
EVQ 85	Master QL ⁷⁾⁸⁾	–	85 W	6000	on request
EVQ 165	Master QL ⁷⁾⁸⁾	–	165 W	12000	on request

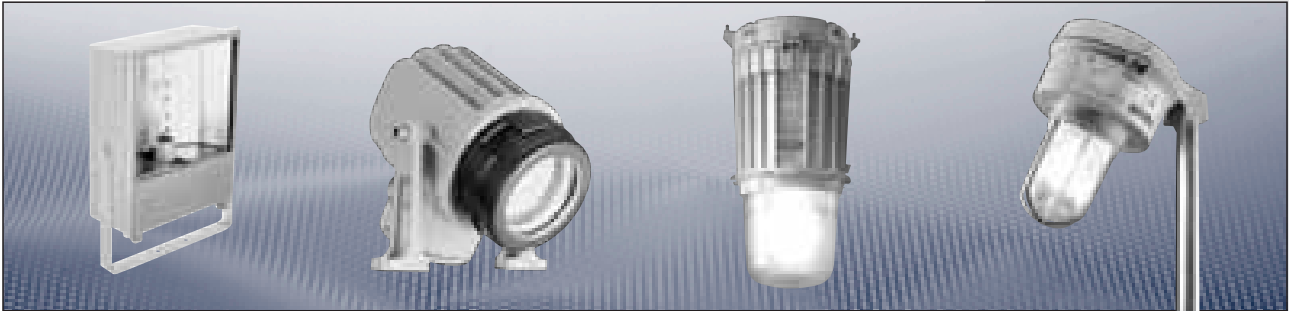
1) A = incandescent lamp
 2) TC-DSE = compact fluorescent lamp with built-in electronic ballast
 3) HME-SB = mixed light lamp
 4) HME = Mercury vapour high pressure lamp
 5) HSE/HST = Sodium vapour high pressure lamp
 6) HIE/HIT = Halogen-High-pressure metal-vapour
 7) Trade mark of Philips company
 8) Single components of this system as spare parts available
 – Lamp QL (55 W/85 W/165 W)
 – Power Coupler QL (55 W/85 W/165 W)
 – HF-generator QL (55 W/85 W/165 W)
 9) QT = halogene lamp with protective bulb
 10) Diviations of lamp rated luminous flux possible depending to used product



Accessories for Ex-pendant and floodlight light fittings					
For fitting	Lamp type	Cup	Power	Luminous flux¹⁰⁾ approx. lm	Order No.
FZD	HIT ⁶⁾	E 40	250 W	19000	on request
		E 40	400 W	35000	on request
	HST ⁵⁾	E 40	250 W	27000	on request
		E 40	400 W	48000	on request
dHLS 85	HME ⁴⁾	E 40	250 W	13000	CGS 323 7990 P 1010
		E 40	400 W	22000	CGS 323 7990 P 1011
	HSE ⁵⁾	E 40	250 W	25000	CGS 323 8600 P 1009
		E 40	400 W	47000	CGS 323 8700 P 1009
dTLS 85	HIT ⁶⁾	Fc2	250 W	19000	CGS 323 7990 P 1009
	HST ⁵⁾	Fc2	250 W	25000	CGS 323 8500 P 1009
PX	HIT ⁶⁾	E 40	150 W	14000	on request
		E 40	250 W	20000	on request
		E 40	400 W	35000	on request
	HST ⁵⁾	E 40	150 W	17000	on request
		E 40	250 W	33000	on request
		E 40	400 W	55500	on request
	HME-SB ³⁾	E 40	600 W	90000	on request
		E 40	500 W	14000	on request
QT ⁹⁾	E 40	500 W	10000	on request	

- ¹⁾ A = incandescent lamp
- ²⁾ TC-DSE = compact fluorescent lamp with built-in electronic ballast
- ³⁾ HME-SB = mixed light lamp
- ⁴⁾ HME = Mercury vapour high pressure lamp
- ⁵⁾ HSE/HST = Sodium vapour high pressure lamp
- ⁶⁾ HIE/HIT = Halogen-High-pressure metal-vapour
- ⁷⁾ Trade mark of Philips company
- ⁸⁾ Single components of this system as spare parts available
 - Lamp QL (55 W/85 W/165 W)
 - Power Coupler QL (55 W/85 W/165 W)
 - HF-generator QL (55 W/85 W/165 W)
- ⁹⁾ QT = halogene lamp with protective bulb
- ¹⁰⁾ Diviations of lamp rated luminous flux possible depending to used product





4.40

1

2

3

4

5

6

7

8

9

Accessories for Ex-pendant and floodlight light fittings					
For fitting	Lamp type	Cup	Power	Luminous flux ¹⁰⁾ approx. lm	Order No.
KFL	Halogen-Reflektorlampe		12 V/50 W		3 2369 100 001
			12 V/20 W		3 2369 100 002
NVMV Champ bis 150 W	HSE ⁵⁾	E 27	70 W	5600	on request
		E 40	150 W	14000	on request
	HME ⁴⁾	E 27	125 W	6300	on request
		E 27	70 W	5900	on request
NVMV Champ bis 400 W	HSE ⁵⁾	E 40	150 W	13000	on request
		E 40	250 W	25000	on request
	HME ⁴⁾	E 40	400 W	47000	on request
		E 40	250 W	13000	on request
NFMV	HSE ⁵⁾	E 40	250 W	17000	on request
		E 40	400 W	30000	on request
	HME ⁴⁾	E 40	250 W	25000	on request
		E 40	400 W	47000	on request
HIE ⁶⁾	E 40	250 W	13000	on request	
	E 40	400 W	22000	on request	
	HIE ⁶⁾	E 40	250 W	17000	on request
		E 40	400 W	30000	on request

1) A = incandescent lamp
 2) TC-DSE = compact fluorescent lamp with built-in electronic ballast
 3) HME-SB = mixed light lamp
 4) HME = Mercury vapour high pressure lamp
 5) HSE/HST = Sodium vapour high pressure lamp
 6) HIE/HIT = Halogen-High-pressure metal-vapour
 7) Trade mark of Philips company
 8) Single components of this system as spare parts available
 – Lamp QL (55 W/85 W/165 W)
 – Power Coupler QL (55 W/85 W/165 W)
 – HF-generator QL (55 W/85 W/165 W)
 9) QT = halogene lamp with protective bulb
 10) Diviations of lamp rated luminous flux possible depending to used product