

bticino

Low-voltage Protection



PRICE LIST CATALOGUE 08
(Edition 08/2008)

EASYTIKER & MEGATIKER MCCB

EASYTIKER can be viewed as an Easy and simple alternative to the traditional MCCB in all the applications of the tertiary and industrial sector including also a large assortment of accessories of easy and fast assemblage.

MEGATIKER thermal magnetic circuit breakers

These circuit breakers are fitted with thermal magnetic release with the possibility of adjusting the thermal (overload) and magnetic (short circuit) tripping threshold. Megatiker thermal magnetic circuit breakers are available with rated currents from 16A to 1250A.

MEGATIKER electronic circuit breakers

These circuit breakers are equipped with micro-processor-controlled electronic release with the possibility of adjusting times and tripping thresholds (depending on the versions) for overload, short circuit and earth leakage. These circuit breakers are available with rated currents from 40 to 1600A.



EASYTIKER E250B/N/H

EASYTIKER E100B/N/H



BTicino air circuit breaker DMX-E: the new evolution for high-rise buildings and industries

A 4000 A system within your reach

They are used to protect the most powerful installations (up to 4000 A). Their ease of installation and clarity of layout have been particularly carefully studied. All devices in the DMX-E range are mounted behind the same front panel and have same depth and height.



DMX-E

- Fixed or draw-out
- Circuit breaker with MP2G integrated electronic protection unit.

INTEGRATION

- Clear, easy mounting
- All DMX-E have the same front panel, and are the same depth and height.

CONNECTION AND IDENTIFICATION OF AUXILIARIES

- On front panel terminal block
- 32 connection points available
- Identification on front panel
- Accessories attached via front panel for extremely easy installation.

CONTROL AND SIGNALLING AUXILIARIES

- Shunt release
- Under voltage release
- Motor operator
- Closing release
- Signalling contacts
- Locking options

EASYTIKER (E100 & E250)

Thermal magnetic circuit breaker (IEC 60947-2)



* รุ่น 4 pole สอบถามรายละเอียดสินค้าได้ที่ บริษัท บีทีซีโน (ประเทศไทย) จำกัด

Model	E100H		E100H		E100B	
Number of poles*	1		2		3	
Rated current In (A)	15-100		15-100		15-100	
Rated operating voltage (50/60 Hz) Ue (V)	600		600		600	
Ultimate breaking capacity Icu (kA) IEC 60947-2	25		100		25	
220/240Va.c.			35		10	
380/415Va.c.						
Standard breaking capacity Ics (% Icu)	50		50		50	
Utilization category	A		A		A	
Thermal magnetic	●		●		●	
Dimension (WxHxD)	25x130x60		50x130x60		75x130x60	
	← ปรับกระแสไม่ได้ →					
Rated current In (A)	Item code	Price/baht	Item code	Price/baht	Item code	Price/baht
15	T6031/15	1,050	T6032/15	1,090	T6013/15	1,640
20	T6031/20	1,050	T6032/20	1,090	T6013/20	1,640
25	T6031/25	1,050	T6032/25	1,090	T6013/25	1,640
30	T6031/30	1,090	T6032/30	1,110	T6013/30	1,640
40	T6031/40	1,090	T6032/40	1,110	T6013/40	1,640
50	T6031/50	1,090	T6032/50	1,110	T6013/50	1,640
60	T6031/60	1,110	T6032/60	1,130	T6013/60	2,020
75	T6031/75	1,110	T6032/75	1,130	T6013/75	2,020
100	T6031/100	1,420	T6032/100	1,460	T6013/100	2,100
125						
150						
175						
200						
225						
250						

Common Accessory

Item code	Description	Price/baht
M6/AUX	1NO/NC auxiliary contact	950
M6/AL	1NO/NC alarm contact	950
M6/AUXAL	1NO/NC alarm contact + 1NO/NC auxiliary contact	950
M6M/240	undervoltage release 200-240 Va.c.	2,740
M6T/277	shunt tripss 200-240 Va.c.	1,710
M6000	accessories for locking in OFF position	390

Accessory for E100

Item code	Description	Price/baht
M6005	direct rotary handle for EASYTIKER E100B/N/H	1,030
M6006	vary-depth for EASYTIKER E100B/N/H	1,710
M6001	kit with 2 insulation shields for 3 poles MCCB's	110
M6007	set of terminal shields for EASYTIKER E100B/N/H	170
M6009	plate for EASYTIKER E100B/N/H	220
M6030	cage terminals for EASYTIKER E100B/N/H - In <50a	500
M6031	cage terminals for EASYTIKER E100B/N/H - In >50a	500





E100N		E100H		E250B		E250N		E250H	
3		3		3		3		3	
15-100		15-100		125-250		125-250		125-250	
600		600		600		600		600	
40		100		35		50		65	
20		35		18		25		36	
50		50		50		50		50	
A		A		A		A		A	
●		●		●		●		●	
75x130x60				ปรับกระแสไม่ได้					
				105x165x60					
Item code	Price/baht	Item code	Price/baht	Item code	Price/baht	Item code	Price/baht	Item code	Price/baht
T6023/15	2,270	T6033/15	2,770						
T6023/20	2,270	T6033/20	2,770						
T6023/25	2,270	T6033/25	2,770						
T6023/30	2,330	T6033/30	2,820						
T6023/40	2,330	T6033/40	2,820						
T6023/50	2,330	T6033/50	2,820						
T6023/60	2,380	T6033/60	2,940						
T6023/75	2,380	T6033/75	2,940						
T6023/100	2,430	T6033/100	2,990						
				T6113/125	3,540	T6123/125	5,260	T6133/125	5,540
				T6113/150	3,540	T6123/150	5,260	T6133/150	5,540
				T6113/175	4,210	T6123/175	5,310	T6133/175	7,370
				T6113/200	4,210	T6123/200	5,310	T6133/200	7,370
				T6113/225	4,210	T6123/225	5,310	T6133/225	7,370
				T6113/250	4,770	T6123/250	5,490	T6133/250	7,750

Accessory for E250

Item code	Description	Price/baht
M6105	direct rotary handle for EASYTIKER E250B/N/H	1,140
M6106	vary-depth rotary handle for EASYTIKER E250B/N/H	1,830
M6107	set of terminal shields for EASYTIKER E250B/N/H	170
M6109	plate for EASYTIKER E250B/N/H	220
M6130	cage terminals external for EASYTIKER E250 B/N/H	500

MEGATIKER

Thermal magnetic circuit breaker (IEC 60947-2)



* รุ่น 4 pole สอบถามรายละเอียดสินค้าได้ที่ บริษัท บีทีซีโน (ประเทศไทย) จำกัด

Circuit Breaker 3 Pole*		ME125N	ME160H	ME250H	MH250	MA/MH400
Rated voltage Ue (V a.c. at 50-60Hz)		500	500	500	690	690
Performance level		N	H	H	H	A
Icu (kA) 400V a.c.		36	50	50	70	36
Service breaking capacity Ics (%Icu)		75%	50%	50%	75%	100%
Thermal release adjustment		0.7-1 In	0.64-1 In	0.64-1 In	0.64-1 In	0.8-1 In
Magnetic release adjustment		Fixed	10 In	10 In	3.5-10 In	5-10 In
Dimension (WxHxD) (mm.)		75.6x120x74	90x150x74	90x176x74	105x200x105	140x260x105
Rated Current (In) A	Item code Price/baht	Item code Price/baht	Item code Price/baht	Item code Price/baht	Item code Price/baht	Item code Price/baht
16 A	T7123A/16 7,750					
25 A	T7123A/25 7,750	T7133HA/25 12,300				
40 A	T7123A/40 7,750	T7133HA/40 12,300				
63 A	T7123A/63 7,750	T7133HA/63 12,300				
100 A	T7123A/100 7,750	T7133HA/100 12,400	T7233HA/100 12,500	T7313HA/100 12,600		
125 A	T7123A/125 7,750					
160 A		T7133HA/160 12,400	T7233HA/160 12,500	T7313HA/160 12,600		
250 A			T7233HA/250 16,900	T7313HA/250 17,000	T7413A/250 22,000	
320 A					T7413A/320 22,000	
400 A					T7413A/400 22,000	
500 A						
630 A						
800 A						
1,000 A						
1,250 A						

Accessory	Item code Price/baht	Item code Price/baht	Item code Price/baht	Item code Price/baht	Item code Price/baht
Auxiliary & alarm contact (1NO/NC)	M5A/1CS 2,500	M5/1CS 2,500			
Shunt trip (220V, 50Hz)		M5T/220 3,200			
Undervoltage Release (220V, 50Hz)	M5M/220 6,200	M4M/220 6,200			
Key lock for rotary handle	-	T7163 9,400			
Electrical motor operator (220V, 50Hz)	M7175/230 67,000	M7375/230 67,000	-	M7375P/230 67,000	M7475P/230 72,000
Direct rotary handles (normal)	M7006 3,500	M7008 3,500		M7147 16,000	M7447 16,000
Vary-depth rotary handles IP55	T7007 8,200	T7009 8,200		T7149 16,000	T7449 16,000
Mechanical interlocks (2 sets of MCCB)	-	M7095N 15,500	M7096N 15,500	M7196N 15,500	M7197N 15,500



MEGATIKER

Electronic circuit breaker (IEC 60947-2)



* รุ่น 4 pole สอบถามรายละเอียดสินค้าได้ที่ บริษัท บีทีซีโน (ประเทศไทย) จำกัด

Circuit Breaker 3 Pole*	MH250E	MH400E	MH630E	MA/MH630ES	
Rated voltage Ue (V a.c. at 50-60Hz)	690	690	690	690	
Utilization category	A	B	A	B	
Performance level	H	H	H	A	H
Icu (kA) 400V a.c.	70	70	70	50	70
Service breaking capacity Ics (% Icu)	75%	75%	75%	100%	75%
Thermal release adjustment	0.4-1 In	0.4-1 In	0.4-1 In	0.4-1 In	0.4-1 In
Magnetic release adjustment	1.5-10 In	1.5-10 In	1.5-10 In	1.5-10 In	1.5-10 In
Dimension (length x height x depth) (mm.) (3 poles)	105x200x105	140x260x105	140x260x105	210x320x140	
Rated Current (In) A	Item code Price/baht	Item code Price/baht	Item code Price/baht	Item code Price/baht	Item code Price/baht
40 A, base	T7313HA/40E 50,500				
100 A, base	T7313HA/100E 50,500				
160 A, base	T7313HA/160E 50,500	T7413HA/160E 55,000			
with earth fault protection		T7413HA/160T 58,000			
250 A, base	T7313HA/250E 50,500	T7413HA/250E 55,000			
with earth fault protection		T7413HA/250T 58,000			
400 A, base		T7413HA/400E 55,000			
with earth fault protection		T7413HA/400T 58,000			
630 A, base			T7413HA/630E 58,000	T7613A630E 75,000	T7613HA630E 76,000
with earth fault protection			T7413HA/630T 62,000	T7613A630T 79,000	T7613HA630T 80,000
800 A, base					
with earth fault protection					
1250 A, base					
with earth fault protection					
1600 A, base					
with earth fault protection					

Accessory	Item code Price/baht	Item code Price/baht	Item code Price/baht	Item code Price/baht	Item code Price/baht
Auxiliary & alarm contact (1NO/NC)			M5/1CS 2,500		
Shunt trip (220V, 50Hz)			M5T/220 3,200		
Undervoltage Release (220V, 50Hz)			M4M/220 6,200		
Key lock for rotary handle			T7163 9,400		
Electrical motor operator (220V, 50Hz)	M7357P/230 67,000	M7475/230 72,000			M7875P/230 139,000
Direct rotary handles (normal)	M7147 16,000	M7447 16,000			M7647 16,000
Vary-depth rotary handles IP55	T7149 16,000	T7449 16,000			T7649 18,000
Mechanical interlocks (2 sets of MCCB)	M7196N 15,500	M7197N 15,500			M7198N 32,500



MEGATIKER

Molded case circuit breaker with ground fault protection



MEGATIKER with earth leakage module

Circuit Breaker 4 Pole	ME125		ME160		ME250H		MA/MH250	
Rated voltage Ue (V a.c. at 50-60Hz)	500		500		500		690	
Performance level	N		H		H		H	
Icu (kA) 400V a.c.	70		70		70		70	
Service breaking capacity Ics (% Icu)	75%		50%		50%		75%	
Thermal release adjustment	0.7-1 In		0.64-1 In		0.64-1 In		0.64-1 In	
Magnetic release adjustment	fixed		10 In		10 In		3.5-10 In	
Dimension (length x height x depth) (mm.)	101x120x74		120x150x74		120x176x74		140x200x105	
Rated current (In) A	Item code	Price/baht	Item code	Price/baht	Item code	Price/baht	Item code	Price/baht
16 A	T7124A/16	12,000						
25 A	T7124A/25	12,000	T7134HA/25	17,500				
40 A	T7124A/40	12,000	T7134HA/40	17,500				
63 A	T7124A/63	12,000	T7134HA/63	17,500				
100 A	T7124A/100	12,000	T7134HA/100	17,500	T7234HA/100	22,800	T7314HA/100	30,000
125 A	T7124A/125	12,000						
160 A			T7134HA/160	17,500	T7234HA/160	22,800	T7314HA/160	30,000
250 A					T7234HA/250	22,800	T7314HA/250	30,000
Earth leakage module	GS125		GS160		GS250		GS250	
Rated current In (A)	63, 125		160		250		250	
Earth leakage rated current IΔn (A)	0.03-3		0.03-3		0.03-3		0.03-3	
Earth leakage time delay Δt (s)	0-0.3-1-3		0-0.3-1-3		0-0.3-1-3		0-0.3-1-3	
Underneath	Item code	Price/baht	Item code	Price/baht	Item code	Price/baht	Item code	Price/baht
	T7052/63	15,000	T7052/160	21,500	T7052/250	29,000	T7072/250	29,000
	T7052/125	15,000						
Total set price (breaker + earth leakage)	27,000		39,000		51,800		59,000	



Electronic release with ground fault protection

Circuit Breaker 4 Pole	MH400E		MH630E		MH800ES		MH1250ES		MH1600ES	
Rated voltage Ue (V a.c. at 50-60Hz)	690		690		690		690		690	
Performance level	H		H		H		H		H	
Icu (kA) 400V a.c.	70		70		70		70		70	
Service breaking capacity Ics (% Icu)	75%		75%		75%		75%		75%	
Thermal release adjustment	0.4-1 In		0.4-1 In		0.4-1 In		0.4-1 In		0.4-1 In	
Magnetic release adjustment	1.5-10 In		1.5-10 In		1.5-10 In		1.5-10 In		1.5-10 In	
Dimension (length x height x depth) (mm.)	140x260x105		140x260x105		210x320x140		210x320x140		210x320x140	
Rated current (In) A	Item code	Price/baht	Item code	Price/baht	Item code	Price/baht	Item code	Price/baht	Item code	Price/baht
160 A	T7414HA/160T	68,000								
250 A	T7414HA/250T	68,000								
400 A	T7414HA/400T	68,000								
630 A			T7414HA/630T	70,000						
800 A					T7814HA800T	182,000				
1250 A							T7924HA1250T	186,000		
1600 A									T7934HA1600T	221,000

MEGATIKER

Automatic transfer switch & earth leakage relay



M7000CB/EVO



FC.../...

CHANGEOVER UNIT

Item code	Vn	Description	Price/baht
M7000CB/EVO	230V a.c./ 12, 24, 48V d.c.	two power sources (primary and secondary) automatic power line switching control unit with communication	85,000
FC2AC2/230	230	contactors 2 modules, 20 A, 2 NO + 2NC	4,500



G701N

MODULAR ELECTRONIC EARTH LEAKAGE RELAY

Item					
Type A	No. of modules	IΔn (A)	T (S)	Description	Price/baht
G701N	2	0.03-30	0-5	earth leakage relay with both current and time delay adjustment, 1NO/NC output contact	12,000



G701T/...

ELECTRONIC FLUSH MOUNTING EARTH LEAKAGE RELAY

Item					
Type A	Size (mm)	IΔn (A)	T (S)	Description	Price/baht
G701Q	96x96	0.03-30	0-5	earth leakage relay with both current and time delay adjustment, 1NO/NC output contact	14,900

TOROIDAL CURRENT TRANSFORMER FOR RELAY G701N

Item code	Internal toroida Ø (mm)	maximum In (A)	minimum IΔn (A)	Price/baht
G701T/35N	35	150	0.03	6,000
G701T/80N	80	300	0.03	7,000
G701T/110N	110	600	0.1	10,000
G701T/140N	140	1200	0.3	16,000
G701T/210N	210	1800	0.3	25,000
G701T/150A*	150	1200	1	31,000
G701T/300A*	300	2000	1	80,000

* Open type toriod

DMX-E

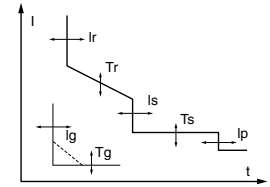
Air circuit breakers (IEC 60947-2)

Air circuit breakers equipped with:

- MP2G electronic protection unit
- Rear terminals
- 8 auxiliary contacts (4 NO + 4 NC)

MP 2G electronic protection unit

On standard, the DMX-E are equipped with an MP 2G electronic protection unit, with rotary selectors for adjustment of the operating parameters. Adjustment of neutral protection: 0, 50 or 100 %



MP 2G

Rated Current (In)		800 A				1000 A				1250 A	
No. of poles*	3								3		
Model (IEC EN60947-2)	DMX-E 55		DMX-E 65		DMX-E 55		DMX-E 65		DMX-E 55		
Ultimate breaking capacity Icu (kA) 400 V a.c.	55		65		55		65		55		
Service breaking capacity Ics (% Icu)	-----		-----		100%		-----		-----		
Rated operational voltage Ue	-----		-----		690		-----		-----		
Dimension (WxHxD) (mm.) : 3 poles	-----		-----		347x430x355		-----		-----		
Dimension (WxHxD) Drawout version	-----		-----		347x433x421		-----		-----		
Frame size	I		I		I		I		I		
	Item code	Price/baht	Item code	Price/baht	Item code	Price/baht	Item code	Price/baht	Item code	Price/baht	
Fixed version	6260 02	216,000	6260 42	241,000	6260 03	229,000	6260 43	253,000	6260 04	252,000	
Drawout version	6260 22	261,000	6260 62	293,000	6260 23	272,000	6260 63	308,000	6260 24	295,000	
Current transformer for external neutral	6264 02	7,500	6264 02	7,500	6264 03	7,500	6264 03	7,500	6264 04	7,500	

*รุ่น 4 pole สอบถามรายละเอียดสินค้าได้ที่บริษัท บีทีซีโน (ประเทศไทย) จำกัด

Rated Current (In)		2500 A				3200 A				
No. of poles*	3								3	
Model (IEC EN60947-2)	DMX-E 65		DMX-E 80		DMX-E 100		DMX-E 80		DMX-E 100	
Ultimate breaking capacity Icu (kA) 400 V a.c.	65		80		100		80		100	
Service breaking capacity Ics (% Icu)	-----		-----		100%		-----		-----	
Rated operational voltage Ue	-----		-----		690		-----		-----	
Dimension (WxHxD) (mm.) : 3 poles	-----		477x430x355		-----		647x430x355		-----	
Dimension (WxHxD) Drawout version	-----		447x433x421		-----		647x433x421		-----	
Frame size	II		II		III		III		III	
	Item code	Price/baht	Item code	Price/baht	Item code	Price/baht	Item code	Price/baht	Item code	Price/baht
Fixed version	6260 47	414,000	6260 87	423,000	6261 27	518,000	6260 88	493,000	6261 28	583,000
Drawout version	6260 67	499,000	6261 07	502,000	6261 47	603,000	6261 08	616,000	6261 48	710,000
Current transformer for external neutral	6264 12	7,500	6264 12	7,500	6264 14	7,500	6264 15	7,500	6264 15	7,500

1250 A		1600 A			2000 A						
3		3			3						
DMX-E 65		DMX-E 55	DMX-E 65		DMX-E 65	DMX-E 80	DMX-E 100				
65		55	65		65	80	100				
		100%									
		690									
		347x430x355		477x430x355		647x430x355					
		347x433x421		447x433x421		647x433x421					
I		I	I		II		III				
Item code	Price/baht	Item code	Price/baht	Item code	Price/baht	Item code	Price/baht	Item code	Price/baht	Item code	Price/baht
6260 44	279,000	6260 05	272,000	6260 45	305,000	6260 46	337,000	6260 86	340,000	6261 26	411,000
6260 64	337,000	6260 25	322,000	6260 65	363,000	6260 66	407,000	6261 06	406,000	6261 46	483,000
6264 04	7,500	6264 05	7,500	6264 05	7,500	6264 11	7,500	6264 11	7,500	6264 13	7,500

4000 A			
3			
DMX-E 80		DMX-E 100	
80		100	
100%			
690			
647x430x355			
647x433x421			
III		III	
Item code	Price/baht	Item code	Price/baht
6260 89	697,000	6261 29	810,000
6261 09	862,000	6261 49	980,000
6264 16	7,500	6264 16	7,500

Solutions

DRAW-OUT



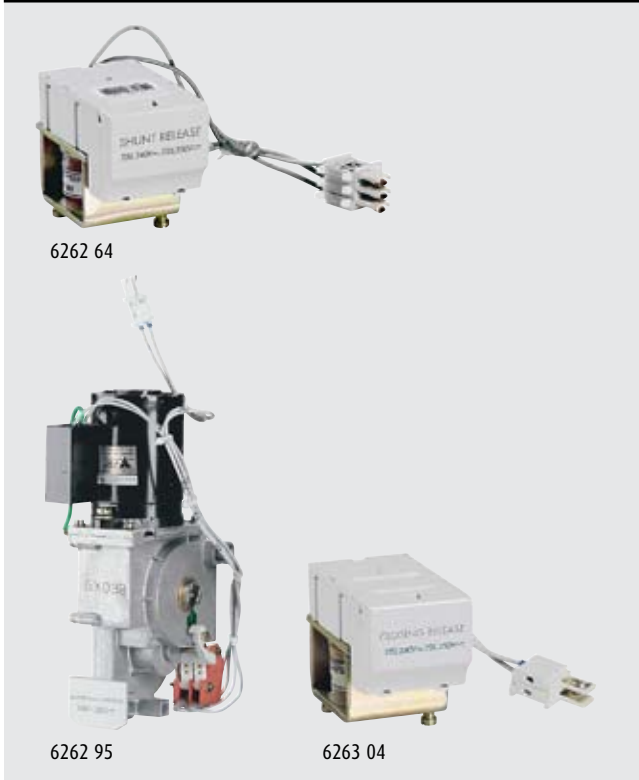
- Interchangeability of devices with no need for any special tools
- Optimum safety when carrying out work
- Position can be locked
- Adjustable rear terminals except for the 2,000 and 2,500 A ratings)

FIXED



- With fixed horizontal position rear terminals

Accessories for DMX-E



DMX-E CONTROL AND SIGNALLING AUXILIARIES

Item code	Description	Price/baht
6262 64	shunt trip 220/240 V- 50/60 Hz	7,700
6262 77	undervoltage 240 V - 50 Hz	19,000
6262 87	delayed undervoltage releases 240 V - 50 Hz	19,500
6262 95	motor operator 240 V~ - 50/60 Hz - 250 V	45,000
6263 04	closing releases 220/240 V - 50/60 Hz	7,600
6263 11	position signal contact	3,200
6263 17	fault signal contact	3,200
6263 18	true "ready to close" contact	4,500
6263 15	shunt release action signal contact	3,200
6263 16	undervoltage release action signal contact	3,200

MECHANICAL INTERLOCK

Item code	Description	Price/baht
6263 80	1 standard power supply + 1 standby power supply	9,200
6263 81	3 power supplies	16,000
6263 82	2 standard power supplies + 1 standby power supply	16,000
6263 83	2 power supplies + 1 coupler	16,000

ACCESSORIES

Item code	Description	Price/baht
6263 40	ronis key locking in "OPEN" position	1,600
6263 41	profalux key locking in "OPEN" position	1,600
6263 22	door locking	2,600
6263 20	rating error prevention	1,600
6263 24	operation counter	3,600

SUPPLY INVERTERS

The cable mechanical interlock is used to interlock breakers according to the desired control scheme.

It can interlock 2 or 3 devices, which may not be of the same type (3P, 4P, fixed, draw-out, mixed) in a vertical or horizontal configuration. The interlock units are mounted on the right-hand side of the device.

Possible mounting arrangements

Type of Interlock	Typical circuit	Interlocks possible	Schematic diagram Cable length : 2 meters, min. Radius at cable bend : 70 mm																					
656380		<table border="1"><tr><td>A</td><td>B</td></tr><tr><td>O</td><td>O</td></tr><tr><td>I</td><td>O</td></tr><tr><td>O</td><td>I</td></tr></table>	A	B	O	O	I	O	O	I														
A	B																							
O	O																							
I	O																							
O	I																							
626381		<table border="1"><tr><td>A</td><td>B</td><td>C</td></tr><tr><td>O</td><td>O</td><td>O</td></tr><tr><td>I</td><td>O</td><td>O</td></tr><tr><td>O</td><td>I</td><td>O</td></tr><tr><td>O</td><td>O</td><td>I</td></tr></table>	A	B	C	O	O	O	I	O	O	O	I	O	O	O	I							
A	B	C																						
O	O	O																						
I	O	O																						
O	I	O																						
O	O	I																						
626382		<table border="1"><tr><td>A</td><td>B</td><td>C</td></tr><tr><td>O</td><td>O</td><td>O</td></tr><tr><td>I</td><td>O</td><td>O</td></tr><tr><td>O</td><td>I</td><td>O</td></tr><tr><td>I</td><td>O</td><td>O</td></tr><tr><td>O</td><td>O</td><td>I</td></tr></table>	A	B	C	O	O	O	I	O	O	O	I	O	I	O	O	O	O	I				
A	B	C																						
O	O	O																						
I	O	O																						
O	I	O																						
I	O	O																						
O	O	I																						
626383		<table border="1"><tr><td>A</td><td>B</td><td>C</td></tr><tr><td>O</td><td>O</td><td>O</td></tr><tr><td>I</td><td>O</td><td>O</td></tr><tr><td>O</td><td>I</td><td>O</td></tr><tr><td>O</td><td>O</td><td>I</td></tr><tr><td>I</td><td>O</td><td>O</td></tr><tr><td>O</td><td>O</td><td>I</td></tr></table>	A	B	C	O	O	O	I	O	O	O	I	O	O	O	I	I	O	O	O	O	I	
A	B	C																						
O	O	O																						
I	O	O																						
O	I	O																						
O	O	I																						
I	O	O																						
O	O	I																						

O - Breaker Open I - Breaker Closed

Mechanical interlock for MEGATIKER molded circuit breaker

Rated current	160A	250A	400A		630A	
Model	ME160H	MH250	MA400	MH400	MA630MT	MH630MT
Icu (kA) 400V a.c.	50	70	36	70	36	70
Set price/baht	259,100	259,700	288,500	290,500	446,700	462,100

Rated current	800A		1250A		1600A	
Model	MA800	MH800	MA1250	MH1250	MA1250	MH1250
Icu (kA) 400V a.c.	50	70	50	70	50	70
Set price/baht	523,500	571,500	605,500	625,500	683,500	717,500

1 set is composed of

- | | |
|------------------------------------|---------|
| 1. Molded-case circuit breaker | 2 items |
| 2. Electrical motor operator | 2 items |
| 3. Mechanical interlock | 1 item |
| 4. Automatic line change over unit | 1 item |



Mechanical interlock for DMX-E air circuit breaker

Rated current	800A	1000A	1250A	1600A	2000A
Model	DMX-E 65	DMX-E 65	DMX-E 65	DMX-E 65	DMX-E 65
Icu (kA) 400V a.c.	65	65	65	65	65
Set price/baht	575,000	598,000	656,000	701,000	772,000

Rated current	2500A	3200A	4000A	
Model	DMX-E 65	DMX-E 80	DMX-E 80	DMX-E 100
Icu (kA) 400V a.c.	65	80	80	100
Set price/baht	925,000	1,085,000	1,285,000	1,385,000

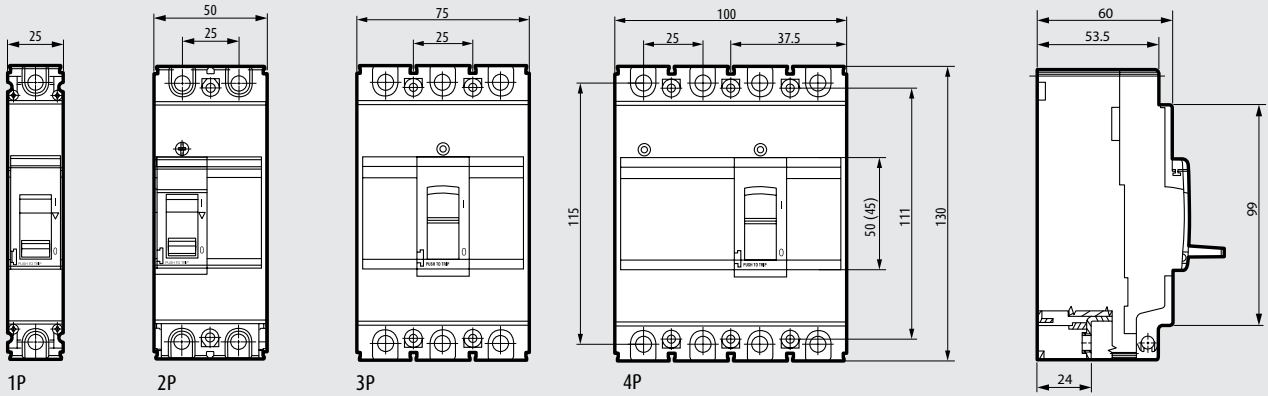
1 set is composed of

- | | |
|-------------------------------------|---------|
| 1. Air circuit breaker | 2 items |
| 2. Electrical motor operator | 2 items |
| 3. Shunt trip | 2 items |
| 4. Closing release | 2 items |
| 5. Two incomer mechanical interlock | 1 item |
| 6. Automatic line change over unit | 1 item |

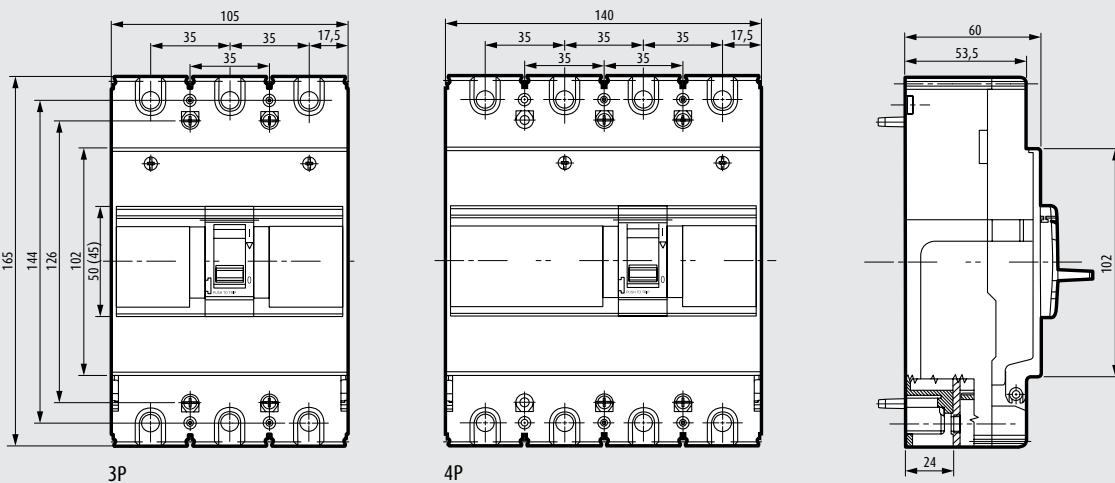


Dimensional data EASYTIKER

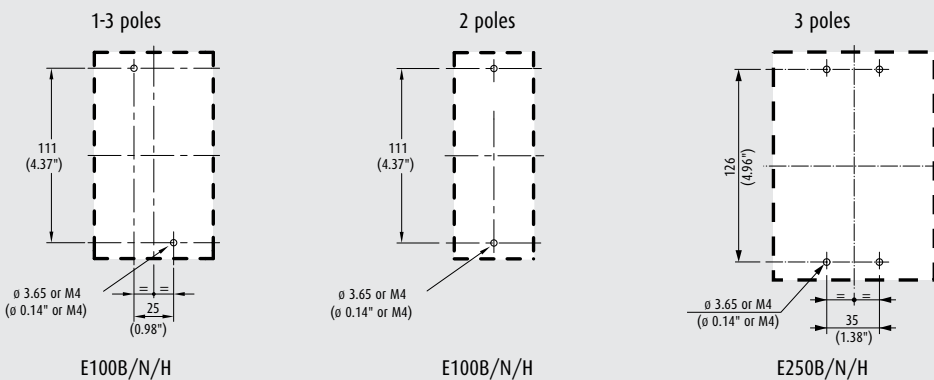
EASYTIKER E100



EASYTIKER E250

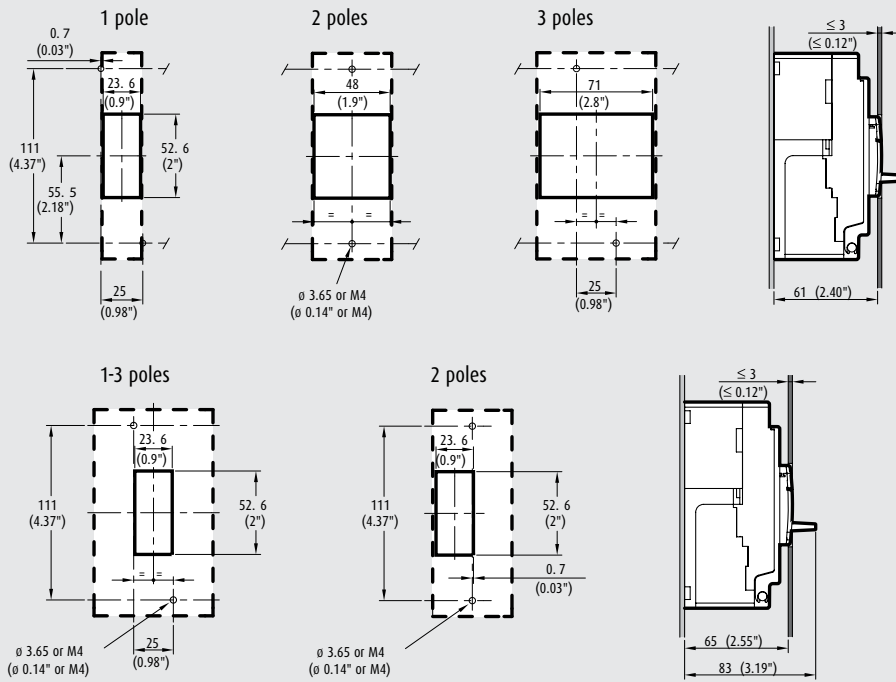


FIXING ON PLATE

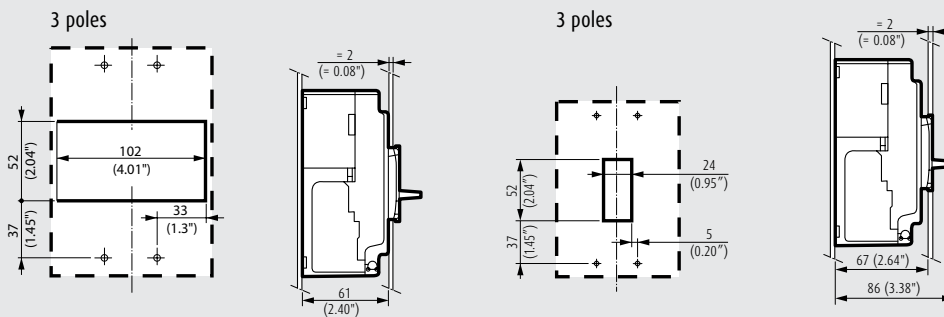


Dimensional data EASYTIKER

DOOR CUT-OUT E100

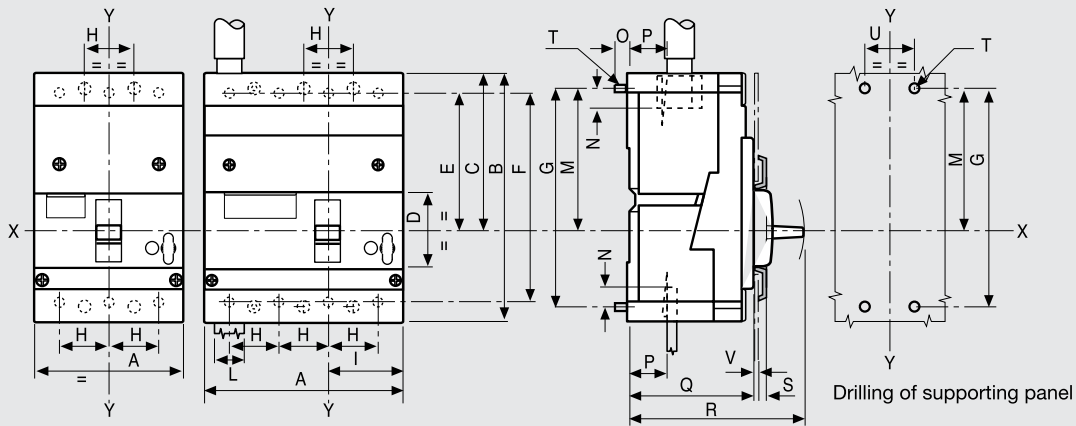


DOOR CUT-OUT E250



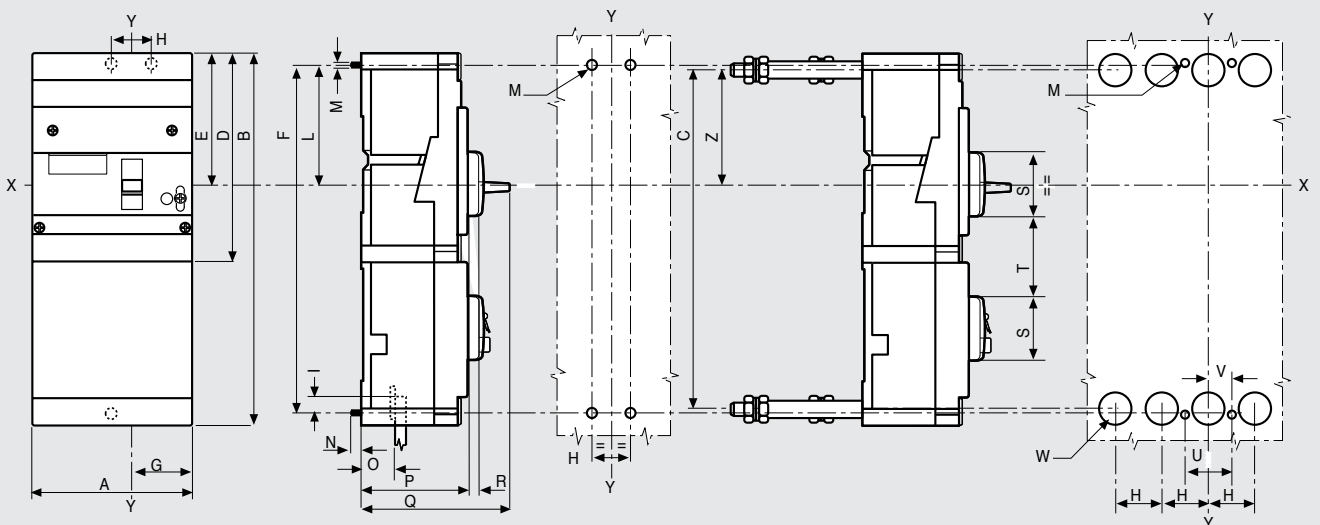
Dimensional data MEGATIKER

FIXED TYPE, FRONT TERMINALS



		A	B	C	D	E	F	G	H	I	L	M	N	O	P	Q	R	S	T	U	V
MA/ME/MS125B/N	3P	75,6	120	71,2	45	61,7	101	103	25,4	37,8	12	62,7	8,5	8	32	74	97	8	M4	25,4	2,5
	4P	101	120	71,2	45	61,7	101	103	25,4	37,8	12	62,7	8,5	8	32	74	97	8	M4	25,4	2,5
ME/MS160B/N/H	3P	90	150	95	45	83	126	132	30	45	18	86	9	8	23	74	97	8	M4	30	2,5
	4P	120	150	95	45	83	126	132	30	45	18	86	9	8	23	74	97	8	M4	30	2,5
ME/MS250B/N/H	3P	90	176	107	45	86,5	115	145	30	45	20	91,5	10	8	18	74	97	11,5	M4	30	2,5
	4P	120	176	107	45	86,5	115	145	30	45	20	91,5	10	8	18	74	97	11,5	M4	30	2,5

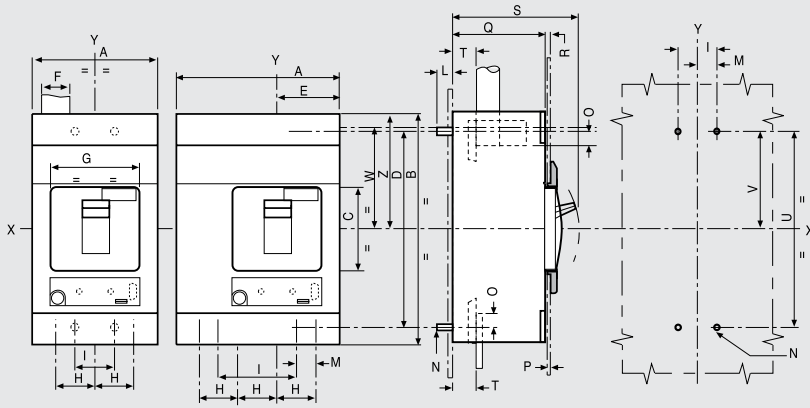
FIXED TYPE WITH EARTH LEAKAGE MODULE UNDERNEATH



		A	B	C	D	E	F	G	H	I	L	M	N	O	P	Q	R	S	T	U	V	Z	W
MA/ME125B/N + GE/GL/GS125	4P	101	210	193	120	71,3	193	37,8	25,4	8	62,8	M4	8	32	74	97	8	45	32,3	50,8	12,7	61,8	16
	ME160B/N/H + GL/GS160	4P	120	265	241	150	95	247	45	30	9	86	M4	8	23	74	97	8	45	55,5	30	24	83
ME250B/N/H + GL/GS250	4P	120	298	267	176	107	237	45	30	10	76,5	M4	8	18	74	97	11,5	45	62,7	60	15	81,5	21

Dimensional data MEGATIKER

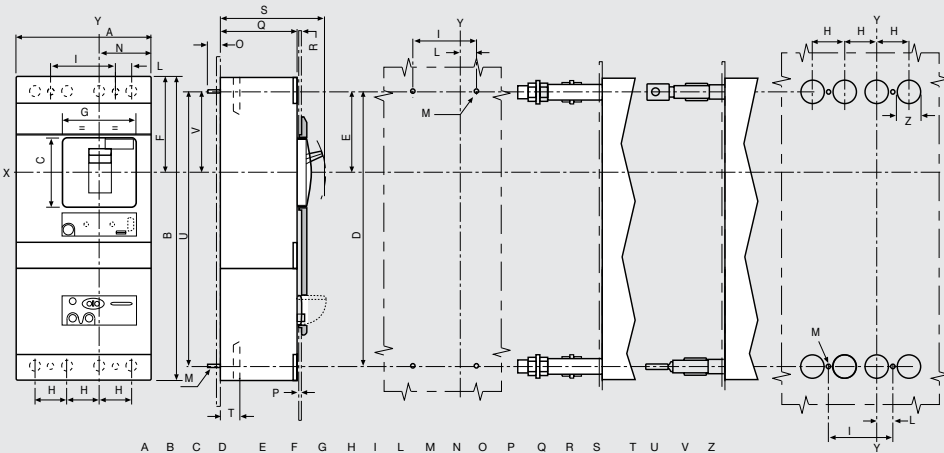
FIXED TYPE, FRONT TERMINALS



		A	B	C	D	E	F	G	H	I	L	M	N	O	P	Q	R	S	T	U	V	Z	W
M160-250E	3P	105	200	94	173.5	52.5	25	100	35	35	17	17.5	M5	10	2.5	105	4	138.5	27	170	107	122	109
	4P	140	200	94	173.5	52.5	25	100	35	70	17	17.5	M5	10	2.5	105	4	138.5	27	170	107	122	109
M400-630E	3P	140	260	94	220	70	32	100	43.5	43.5	17	21.7	M5	15	2.5	105	4	144	27*	220	110	220	110
	4P	183	260	94	220	70	32	100	43.5	87	17	21.7	M5	15	2.5	105	4	144	27*	220	110	220	110

*29 for calibrations 630A

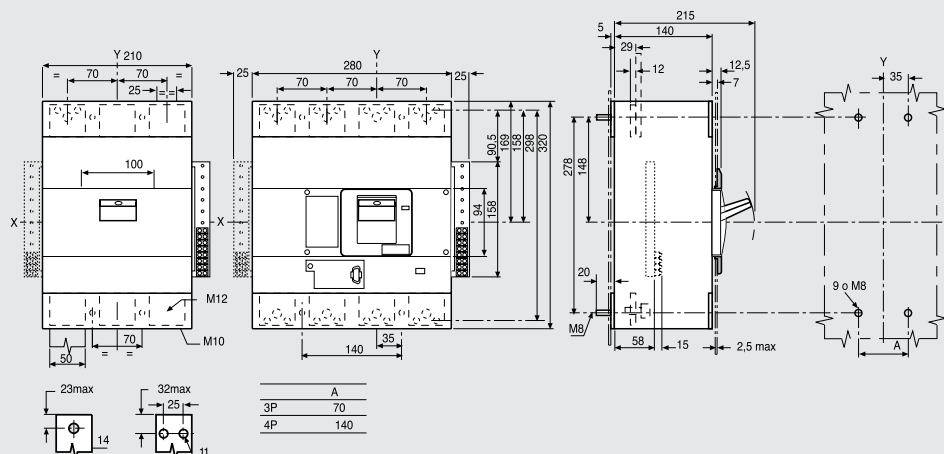
FIXED TYPE WITH EARTH LEAKAGE MODULES UNDERNEATH



		A	B	C	D	E	F	G	H	I	L	M	N	O	P	Q	R	S	T	U	V	Z
M160 250E	4P	140	308	94	281.5	108.7	122	100	35	70	17.5	M5	52.5	17	2.5	105	4	138.5	27	278	107	25
	4P	183	412	94	372	110	130	100	43.5	87	21.7	M5	70	17	2.5	105	4	144	27*	372	110	32

*29 for calibrations 630A

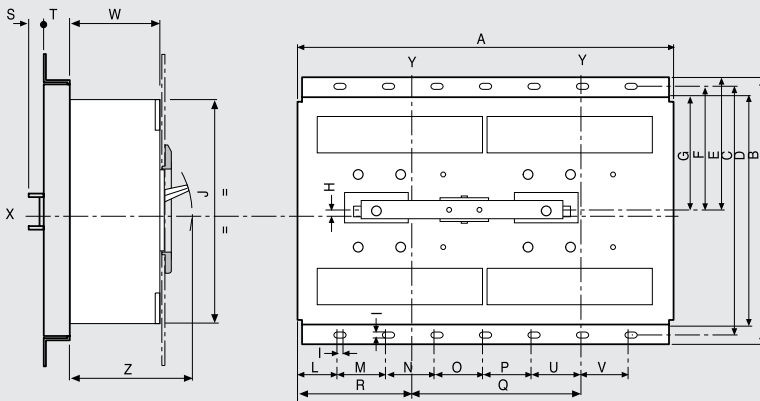
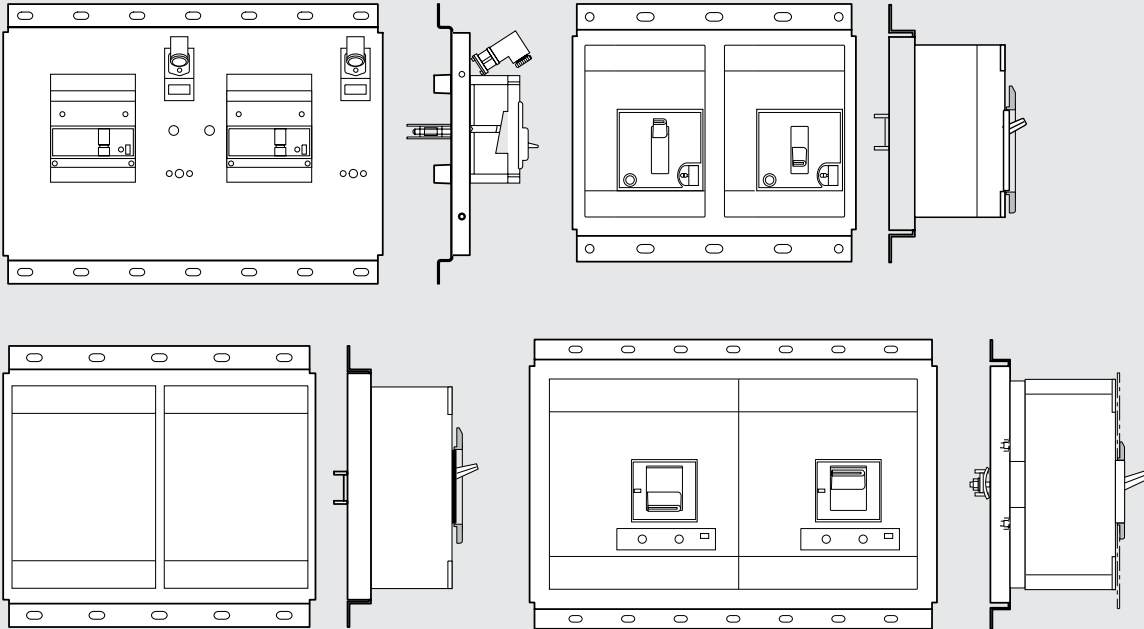
FIXED TYPE, FRONT TERMINALS M630 - 1600ES



A
3P
4P

Dimensional data MEGATIKER

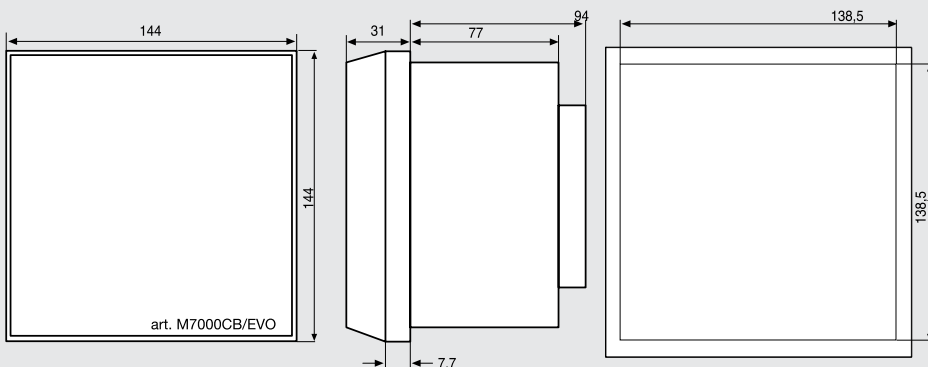
MECHANICAL INTERLOCK INTERLOCK & ATS



	A	B	C	D	E	F	G	H	I	L	M	N	O	P	Q	R	S	T	U	V	Z	W
M7095N	544	360	250	-	173	158	-	20	10	27	80	80	80	80	250	147	47	43.5	80	80	97	74
M7196N	330	300	200	240	151	136	121	21	10	20	60	80	80	70	162	101.5	17	30	-	-	136.5	105
M7197N	400	360	330	300	181.5	166.5	151.5	1.5	10	36	80	80	80	80	195	124	17	30	-	-	142	105
M7198N	620	440	410	380	218.5	203.5	188.5	10.5	10	65	80	80	80	80	280	205	28	30	80	80	212.5*	140

* value for M1250/1600ES. For circuit breakers M630/800ES, value = 193.5mm

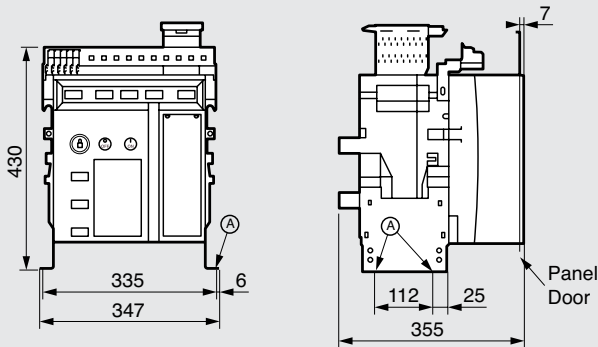
CHANGE OVER UNIT (M7000CB/EVO)



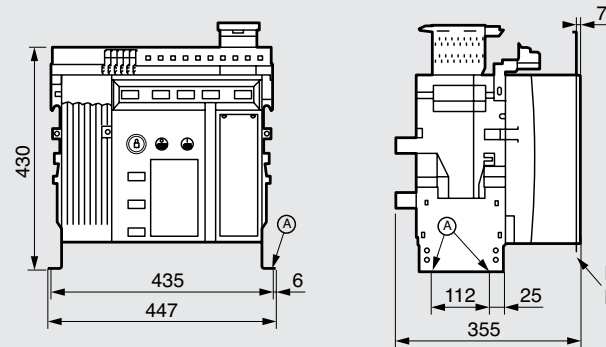
Dimensional data DMX-E up to 1600 A

FIXED VERSION

3 P

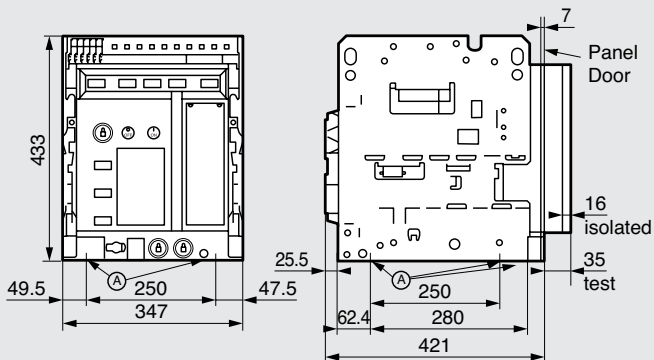


4 P

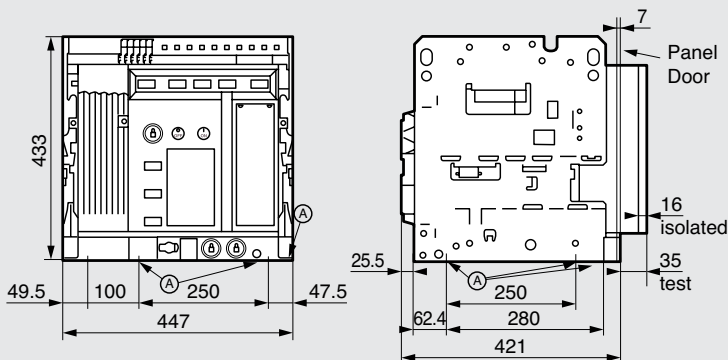


DRAW-OUT VERSION

3 P



4 P

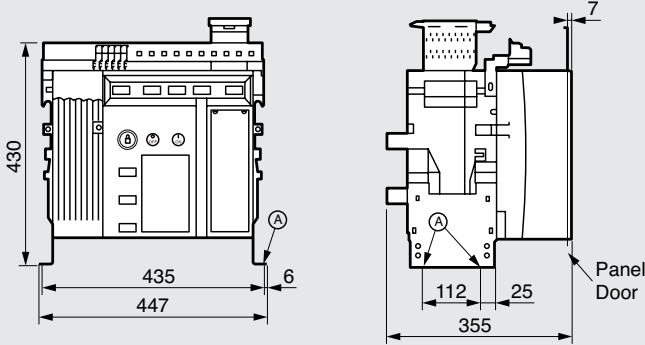


Ⓐ Fixing holes suitable for M10

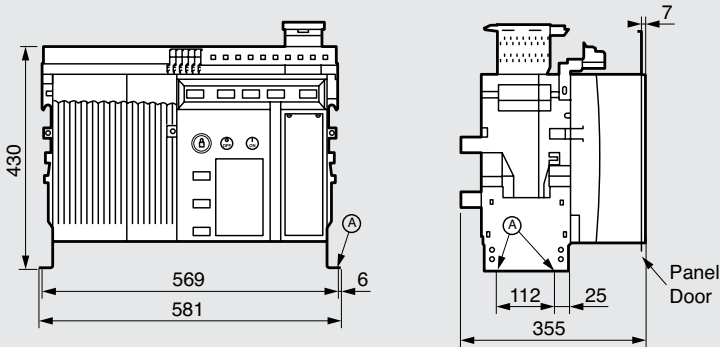
Dimensional data DMX-E 2000 to 2500 A

FIXED VERSION

3 P

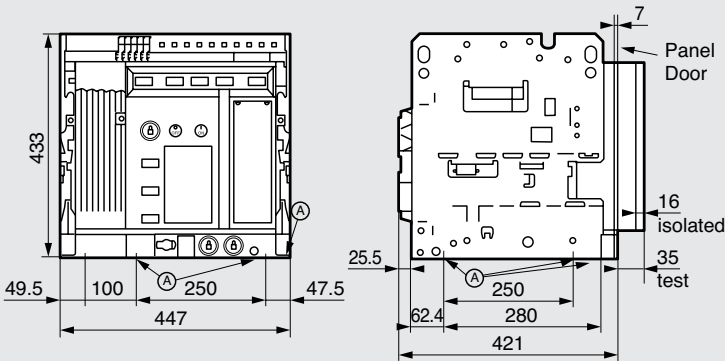


4 P

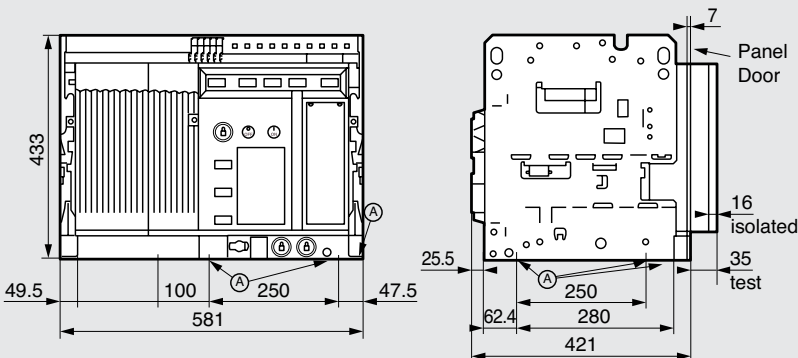


DRAW-OUT VERSION

3 P



4 P

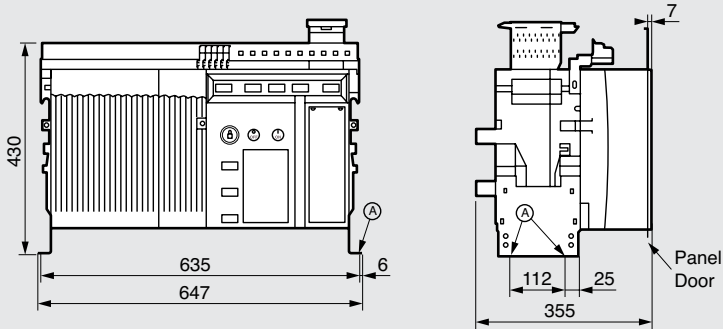


Ⓐ Fixing holes suitable for M10

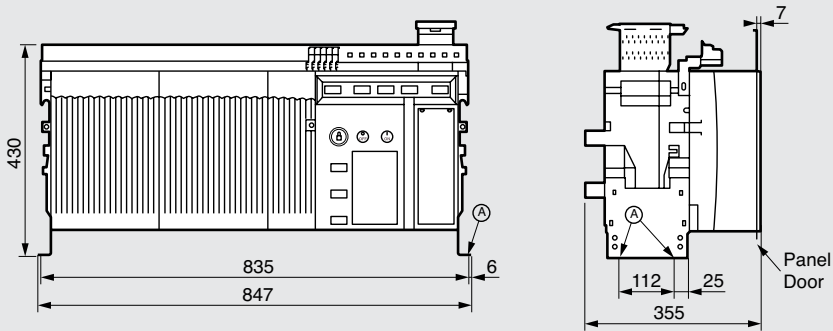
Dimensional data DMX-E 3200 and 4000 A

FIXED VERSION

3 P

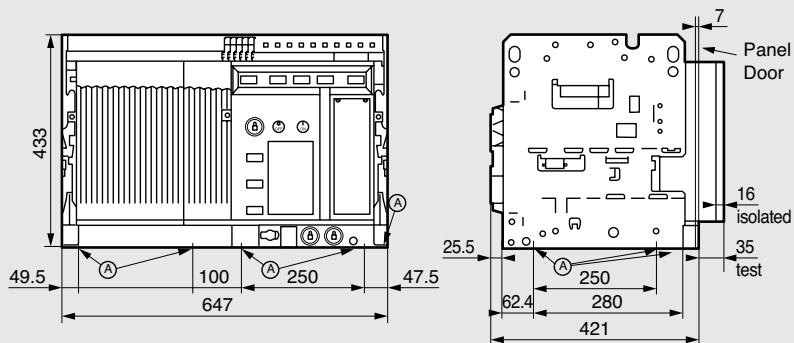


4 P

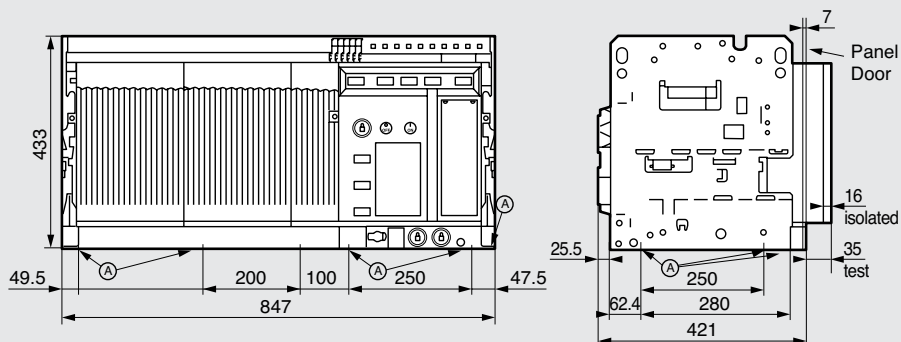


DRAW-OUT VERSION

3 P



4 P



Ⓐ Fixing holes suitable for M10

Index

EASYTIKER

Item code	Type	P	AF	kA	A	Price/baht
T6013/100	TMCB	3P	100AF	10kA	100A	2,100
T6013/15	TMCB	3P	100AF	10kA	15A	1,640
T6013/20	TMCB	3P	100AF	10kA	20A	1,640
T6013/25	TMCB	3P	100AF	10kA	25A	1,640
T6013/30	TMCB	3P	100AF	10kA	30A	1,640
T6013/40	TMCB	3P	100AF	10kA	40A	1,640
T6013/50	TMCB	3P	100AF	10kA	50A	1,640
T6013/60	TMCB	3P	100AF	10kA	60A	2,020
T6013/75	TMCB	3P	100AF	10kA	75A	2,020
T6023/100	TMCB	3P	100AF	20kA	100A	2,430
T6023/15	TMCB	3P	100AF	20kA	15A	2,270
T6023/20	TMCB	3P	100AF	20kA	20A	2,270
T6023/25	TMCB	3P	100AF	20kA	25A	2,270
T6023/30	TMCB	3P	100AF	20kA	30A	2,330
T6023/40	TMCB	3P	100AF	20kA	40A	2,330
T6023/50	TMCB	3P	100AF	20kA	50A	2,330
T6023/60	TMCB	3P	100AF	20kA	60A	2,380
T6023/75	TMCB	3P	100AF	20kA	75A	2,380
T6031/100	TMCB	1P	100AF	25kA	100A	1,420
T6031/15	TMCB	1P	100AF	25kA	15A	1,050
T6031/20	TMCB	1P	100AF	25kA	20A	1,050
T6031/25	TMCB	1P	100AF	25kA	25A	1,050
T6031/30	TMCB	1P	100AF	25kA	30A	1,090
T6031/40	TMCB	1P	100AF	25kA	40A	1,090
T6031/50	TMCB	1P	100AF	25kA	50A	1,090
T6031/60	TMCB	1P	100AF	25kA	60A	1,110
T6031/75	TMCB	1P	100AF	25kA	75A	1,110
T6032/100	TMCB	2P	100AF	35kA	100A	1,460
T6032/15	TMCB	2P	100AF	35kA	15A	1,090
T6032/20	TMCB	2P	100AF	35kA	20A	1,090
T6032/25	TMCB	2P	100AF	35kA	25A	1,090
T6032/30	TMCB	2P	100AF	35kA	30A	1,110
T6032/40	TMCB	2P	100AF	35kA	40A	1,110
T6032/50	TMCB	2P	100AF	35kA	50A	1,110
T6032/60	TMCB	2P	100AF	35kA	60A	1,130
T6032/75	TMCB	2P	100AF	35kA	75A	1,130
T6033/100	TMCB	3P	100AF	35kA	100A	2,990
T6033/15	TMCB	3P	100AF	35kA	15A	2,770
T6033/20	TMCB	3P	100AF	35kA	20A	2,770
T6033/25	TMCB	3P	100AF	35kA	25A	2,770
T6033/30	TMCB	3P	100AF	35kA	30A	2,820
T6033/40	TMCB	3P	100AF	35kA	40A	2,820
T6033/50	TMCB	3P	100AF	35kA	50A	2,820
T6033/60	TMCB	3P	100AF	35kA	60A	2,940
T6033/75	TMCB	3P	100AF	35kA	75A	2,940
T6113/125	TMCB	3P	250AF	18kA	125A	3,540
T6113/150	TMCB	3P	250AF	18kA	150A	3,540
T6113/175	TMCB	3P	250AF	18kA	175A	4,210
T6113/200	TMCB	3P	250AF	18kA	200A	4,210
T6113/225	TMCB	3P	250AF	18kA	225A	4,210
T6113/250	TMCB	3P	250AF	18kA	250A	4,770
T6123/125	TMCB	3P	250AF	25kA	125A	5,260
T6123/150	TMCB	3P	250AF	25kA	150A	5,260
T6123/175	TMCB	3P	250AF	25kA	175A	5,310
T6123/200	TMCB	3P	250AF	25kA	200A	5,310
T6123/225	TMCB	3P	250AF	25kA	225A	5,310

EASYTIKER

Item code	Type	P	AF	kA	A	Price/baht
T6123/250	TMCB	3P	250AF	25kA	250A	5,490
T6133/125	TMCB	3P	250AF	36kA	125A	5,540
T6133/150	TMCB	3P	250AF	36kA	150A	5,540
T6133/175	TMCB	3P	250AF	36kA	175A	7,370
T6133/200	TMCB	3P	250AF	36kA	200A	7,370
T6133/225	TMCB	3P	250AF	36kA	225A	7,370
T6133/250	TMCB	3P	250AF	36kA	250A	7,750

Item code	Type	Description	Price/baht
M6/AL	Acces	1NO/NC alarm contact	950
M6/AUX	Acces	1NO/NC auxiliary contact	950
M6/AUXAL	Acces	1NO/NC alarm+ 1NO/NC auxiliary	950
M6000	Acces	Locking in OFF position	390
M6001	Acces	Kit with 2 insulating shields for 3P	110
M6005	Acces	Direct rotary handle for E100	1,030
M6006	Acces	Vary-depth rotary handle for E100	1,710
M6007	Acces	Set of terminal shields for E100 3P	170
M6009	Acces	Plate for Easytiker E100B/N/H	220
M6030	Acces	Cage termi for E100 - 3 P- In<50A	500
M6031	Acces	Cage termi for E100 - 3 P- In>50A	500
M6105	Acces	Direct rotary handle for E250	1,140
M6106	Acces	Vary-depth rotary handle for E250	1,830
M6107	Acces	Set of terminal shields for E250	170
M6109	Acces	Plate for E250	220
M6130	Acces	Cage termianl external for E250 3P	500
M6M/240	Acces	Undervoltage 200-240Vca	2,740
M6T/277	Acces	Shunt trip 200-277Vca/cc	1,710

MEGATIKER

Item code	Type	P	AF	kA	A	Price/baht
T7052/125	ELCB	4P	125AF	-	125A	15,000
T7052/160	ELCB	4P	160AF	-	160A	21,500
T7052/250	ELCB	4P	250AF	-	250A	29,000
T7052/63	ELCB	4P	125AF	-	63A	15,000
T7072/250	ELCB	4P	250AF	-	250A	29,000
T7123A/100	TMCB	3P	125AF	36kA	100A	7,750
T7123A/125	TMCB	3P	125AF	36kA	125A	7,750
T7123A/16	TMCB	3P	125AF	36kA	16A	7,750
T7123A/25	TMCB	3P	125AF	36kA	25A	7,750
T7123A/40	TMCB	3P	125AF	36kA	40A	7,750
T7123A/63	TMCB	3P	125AF	36kA	63A	7,750
T7124A/100	TMCB	4P	125AF	36kA	100A	12,000
T7124A/125	TMCB	4P	125AF	36kA	125A	12,000
T7124A/16	TMCB	4P	125AF	36kA	16A	12,000
T7124A/25	TMCB	4P	125AF	36kA	25A	12,000
T7124A/40	TMCB	4P	125AF	36kA	40A	12,000
T7124A/63	TMCB	4P	125AF	36kA	63A	12,000
T7133HA/100	TMCB	3P	160AF	50kA	100A	12,400
T7133HA/160	TMCB	3P	160AF	50kA	160A	12,400
T7133HA/25	TMCB	3P	160AF	50kA	25A	12,300
T7133HA/40	TMCB	3P	160AF	50kA	40A	12,300
T7133HA/63	TMCB	3P	160AF	50kA	63A	12,300
T7134HA/100	TMCB	4P	160AF	50kA	100A	17,500
T7134HA/160	TMCB	4P	160AF	50kA	160A	17,500
T7134HA/25	TMCB	4P	160AF	50kA	25A	17,500
T7134HA/40	TMCB	4P	160AF	50kA	40A	17,500

Index

MEGATIKER

Item code	Type	P	AF	kA	A	Price/baht
T7134HA/63	TMCB	4P	160AF	50kA	63A	17,500
T7233HA/100	TMCB	3P	250AF	50kA	100A	12,500
T7233HA/160	TMCB	3P	250AF	50kA	160A	12,500
T7233HA/250	TMCB	3P	250AF	50kA	250A	16,900
T7234HA/100	TMCB	4P	250AF	50kA	100A	22,800
T7234HA/160	TMCB	4P	250AF	50kA	160A	22,800
T7234HA/250	TMCB	4P	250AF	50kA	250A	22,800
T7313A/100	TMCB	3P	250AF	36kA	100A	12,400
T7313A/160	TMCB	3P	250AF	36kA	160A	12,400
T7313A/250	TMCB	3P	250AF	36kA	250A	16,500
T7313HA/100	TMCB	3P	250AF	70kA	100A	12,600
T7313HA/100E	ECB	3P	250AF	70kA	100A	50,500
T7313HA/160	TMCB	3P	250AF	70kA	160A	12,600
T7313HA/160E	ECB	3P	250AF	70kA	160A	50,500
T7313HA/250	TMCB	3P	250AF	70kA	250A	17,000
T7313HA/250E	ECB	3P	250AF	70kA	250A	50,500
T7313HA/40E	ECB	3P	250AF	70kA	40A	50,500
T7314HA/100	TMCB	4P	250AF	70kA	100A	30,000
T7314HA/160	TMCB	4P	250AF	70kA	160A	30,000
T7314HA/250	TMCB	4P	250AF	70kA	250A	30,000
T7413A/250	TMCB	3P	400AF	36kA	250A	22,000
T7413A/320	TMCB	3P	400AF	36kA	320A	22,000
T7413A/400	TMCB	3P	400AF	36kA	400A	22,000
T7413A/500	TMCB	3P	630AF	36kA	500A	34,100
T7413A/630	TMCB	3P	630AF	36kA	630A	34,100
T7413HA/160E	TMCB	3P	400AF	70kA	160A	55,000
T7413HA/160T	TMCB	3P	400AF	70kA	160A	58,000
T7413HA/250	TMCB	3P	400AF	70kA	250A	23,000
T7413HA/250E	TMCB	3P	400AF	70kA	250A	55,000
T7413HA/250T	TMCB	3P	400AF	70kA	250A	58,000
T7413HA/320	TMCB	3P	400AF	70kA	320A	23,000
T7413HA/400	TMCB	3P	400AF	70kA	400A	23,000
T7413HA/400E	TMCB	3P	400AF	70kA	400A	55,000
T7413HA/400T	TMCB	3P	400AF	70kA	400A	58,000
T7413HA/500	TMCB	3P	630AF	70kA	500A	41,800
T7413HA/630	TMCB	3P	630AF	70kA	630A	41,800
T7413HA/630E	TMCB	3P	630AF	70kA	630A	58,000
T7413HA/630T	TMCB	3P	630AF	70kA	630A	62,000
T7414A/160T	ECB-Ef	4P	400AF	70kA	160A	68,000
T7414A/250T	ECB-Ef	4P	400AF	70kA	250A	68,000
T7414HA/400T	ECB-Ef	4P	400AF	70kA	400A	68,000
T7414HA/630T	ECB-Ef	4P	630AF	70kA	630A	70,000
T7613A630E	TMCB	3P	630AF	50kA	630A	75,000
T7613A630T	TMCB	3P	630AF	50kA	630A	79,000
T7613HA630E	TMCB	3P	630AF	70kA	630A	76,000
T7613HA630T	TMCB	3P	630AF	70kA	630A	80,000
T7813A/800	TMCB	3P	800AF	50kA	800A	64,000
T7813A800E	TMCB	3P	800AF	50kA	800A	65,000
T7813A800T	TMCB	3P	800AF	50kA	800A	130,000
T7813HA/800	TMCB	3P	800AF	70kA	800A	88,000
T7813HA800E	TMCB	3P	800AF	70kA	800A	76,000
T7813HA800T	TMCB	3P	800AF	70kA	800A	135,000
T7814HA800T	ECB-Ef	4P	800AF	70kA	800A	182,000
T7923A/1000	TMCB	3P	1250AF	50kA	1000A	105,000
T7923A/1250	TMCB	3P	1250AF	50kA	1250A	105,000
T7923A1250E	TMCB	3P	1250AF	50kA	1250A	115,000

MEGATIKER

Item code	Type	P	AF	kA	A	Price/baht
T7923A1250T	TMCB	3P	1250AF	50kA	1250A	140,000
T7923HA/1000	TMCB	3P	1250AF	70kA	1000A	115,000
T7923HA/1250	TMCB	3P	1250AF	70kA	1250A	115,000
T7923HA1250E	TMCB	3P	1250AF	70kA	1250A	120,000
T7923HA1250T	TMCB	3P	1250AF	70kA	1250A	145,000
T7924HA1250T	ECB-Ef	4P	1250AF	70kA	1250A	189,000
T7933A1600E	TMCB	3P	1600AF	50kA	1600A	144,000
T7933A1600T	TMCB	3P	1600AF	50kA	1600A	165,000
T7933HA1600E	TMCB	3P	1600AF	70kA	1600A	161,000
T7933HA1600T	TMCB	3P	1600AF	70kA	1600A	170,000
T7934HA1600T	ECB-Ef	4P	1600AF	70kA	1600A	221,000

Item code	Type	Description	Price/baht
FC2AC2/230	Btdin	Contactur 2NO+2NC - In=20A coil	4,500
G701N	Acces	Earth leakage realy adjustment	12,000
G701Q	Acces	Earth leakage realy adjustment,	14,900
G701T/ 300A	Acces	Toroidal current transformer for relay G701N	80,000
G701T/110N	Acces	Toroidal current transformer for relay G701N	10,000
G701T/140N	Acces	Toroidal current transformer for relay G701N	16,000
G701T/150A	Acces	Toroidal current transformer for relay G701N	31,000
G701T/210N	Acces	Toroidal current transformer for relay G701N	25,000
G701T/35N	Acces	Toroidal current transformer for relay G701N	6,000
G701T/80N	Acces	Toroidal current transformer for relay G701N	7,000
M4M/220	Acces	Undervoltage 220-240Va.c.	6,200
M5/1CS	Acces	1 auxiliary contact	2,500
M5A/1CS	Acces	1 auxiliary contact with adapter	2,500
M5M/220	Acces	M125 - undervoltage release	6,200
M5T/220	Acces	Shunt trip 220-240V	3,200
M7000CB/EVO	Acces	Changeover unit	85,000
M7008	Acces	Direct rotary handles ME160-250	3,500
M7009	Acces	Vary-depth rotary ME160-250E	3,500
M7095N	Acces	Interlock 2 fixed MCCB ME160	15,500
M7096N	Acces	Mechanical interlock ME250B/N/H	15,500
M7147	Acces	Direct rotary handles M160-250E	16,000
M7196N	Acces	Mechanical interlock ME250	15,500
M7197N	Acces	M400-630E - interlock 2 fixed MCCB	15,500
M7198N	Acces	Mechanical interlock M630-1600ES	32,500
M7375/230	Acces	ME160 - front motor operator 230V	67,000
M7375P/230	Acces	Spring charging M160-250-250E	67,000
M7447	Acces	Direct rotary handle M400-630E	16,000
M7475P/230	Acces	Spring charging M400-630E	72,000
M7647	Acces	Direct rotary handle M630-1600ES	16,000
M7649	Acces	Vary-depth rotary handles IP55	18,500
M7875P/230	Acces	Spring charging M630-1600ES	139,000
T7007	Acces	Vary-depth rotary handle	8,200
T7009	Acces	Vary-depth rotary handle	8,200
T7149	Acces	Vary-depth rotary handle	18,500
T7163	Acces	Key lock for rotary handle	9,400
T7449	Acces	Vary-depth rotary handle	16,000
T7649	Acces	Vary-depth rotary handle	18,500

Index

DMX-E

Item code	Type	P	AF	kA	A	Price/baht
626002	ACB	3P	fixed	55 kA	800 A	216,000
626003	ACB	3P	fixed	55 kA	1000 A	229,000
626004	ACB	3P	fixed	55 kA	1250 A	252,000
626005	ACB	3P	fixed	55 kA	1600 A	272,000
626022	ACB	3P	draw	55 kA	800 A	261,000
626023	ACB	3P	draw	55 kA	1000 A	272,000
626024	ACB	3P	draw	55 kA	1250 A	295,000
626025	ACB	3P	draw	55 kA	1600 A	322,000
626042	ACB	3P	fixed	65 kA	800 A	241,000
626043	ACB	3P	fixed	65 kA	1000 A	253,000
626044	ACB	3P	fixed	65 kA	1250 A	279,000
626045	ACB	3P	fixed	65 kA	1600 A	305,000
626046	ACB	3P	fixed	65 kA	2000 A	337,000
626047	ACB	3P	fixed	65 kA	2500 A	414,000
626062	ACB	3P	draw	65 kA	800 A	293,000
626063	ACB	3P	draw	65 kA	1000 A	308,000
626064	ACB	3P	draw	65 kA	1250 A	337,000
626065	ACB	3P	draw	65 kA	1600 A	363,000
626066	ACB	3P	draw	65 kA	2000 A	407,000
626067	ACB	3P	draw	65 kA	2500 A	499,000
626086	ACB	3P	fixed	80 kA	2000 A	340,000
626087	ACB	3P	fixed	80 kA	2500 A	423,000
626088	ACB	3P	fixed	80 kA	3200 A	493000
626089	ACB	3P	fixed	80 kA	4000 A	697000
626106	ACB	3P	draw	80 kA	2000 A	408,000
626107	ACB	3P	draw	80 kA	2500 A	502,000
626108	ACB	3P	draw	80 kA	3200 A	616,000
626109	ACB	3P	draw	80 kA	4000 A	862,000
626126	ACB	3P	fixed	100 kA	2000 A	411,000
626127	ACB	3P	fixed	100 kA	2500 A	518,000
626128	ACB	3P	fixed	100 kA	3200 A	583,000
626129	ACB	3P	fixed	100 kA	4000 A	810,000
626146	ACB	3P	draw	100 kA	2000 A	483,000
626147	ACB	3P	draw	100 kA	2500 A	603,000
626148	ACB	3P	draw	100 kA	3200 A	710,000
626149	ACB	3P	draw	100 kA	4000 A	980,000

Item code	Type	Description	Price/baht
626264	Acces	Shunt trip 220/240 V- 50/60 Hz	7,700
626277	Acces	Undervoltage 240 V - 50 Hz	19,000
626287	Acces	Delayed undervoltage 240 V	19,500
626295	Acces	Motor operator 240 V	45,000
626304	Acces	Closing releases 220/240 V	7,600
626311	Acces	Position signal contact	3,200
626315	Acces	Shunt release action signal contact	3,200
626316	Acces	Undervoltage action signal contact	3,200
626317	Acces	Fault signal contact	3,200
626318	Acces	True "ready to close" contact	4,500
626320	Acces	Rating error prevention	1,600
626322	Acces	Door locking	2,600
626324	Acces	Operation counter	3,600
626340	Acces	Ronis key locking in "OPEN"	1,600
626341	Acces	Profalux key locking in "OPEN"	1,600
626380	Acces	1 standard + 1 standby power supply	9,200
626381	Acces	3 power supplies	16,000
626382	Acces	2 standard + 1 standby power supply	16,000
626383	Acces	2 power supplies + 1 coupler	16,000



BTicino (Thailand) Limited

Bangkok: 10f Ploenchit Center, 2 Sukhumvit Road,
Klongtoey, Bangkok 10110

Tel: 02 656 9162-7

Fax: 02 656 9197

Phuket: Unit 16 The Court Yard, 90/5 Moo2,
Chaofa Road West, Vichit, Muang, Phuket 83000

Tel: 076 264 477

Fax: 076 264 494

บริษัท บีทีซีโน (ประเทศไทย) จำกัด

กรุงเทพฯ: ชั้น 10 อาคารเพลินจิต เซ็นเตอร์ เลขที่ 2 ถนนสุขุมวิท
แขวงคลองเตย เขตคลองเตย กรุงเทพฯ 10110

โทร. 02 656 9162-7

แฟกซ์. 02 656 9197

ภูเก็ต: ยูนิต 16 เดอะคอร์ทยาร์ด 90/5 หมู่ 2 ถนนเจ้าฟ้าตะวันตก
ตำบลวิชิต อำเภอเมือง ภูเก็ต 83000

โทร. 076 264 477

แฟกซ์. 076 264 494

www.bticino.co.th

info.thailand@bticino.com

BTicino (Thailand) Limited reserves the right to change specifications, designs
and prices without notice. All illustrations and descriptions are for pure guidance.

บริษัทฯ ขอสงวนสิทธิ์ ในการเปลี่ยนแปลงรายละเอียด การออกแบบ และราคาของสินค้า
โดยไม่ต้องแจ้งให้ทราบล่วงหน้า - ราคาสินค้ายังไม่รวมภาษีมูลค่าเพิ่ม